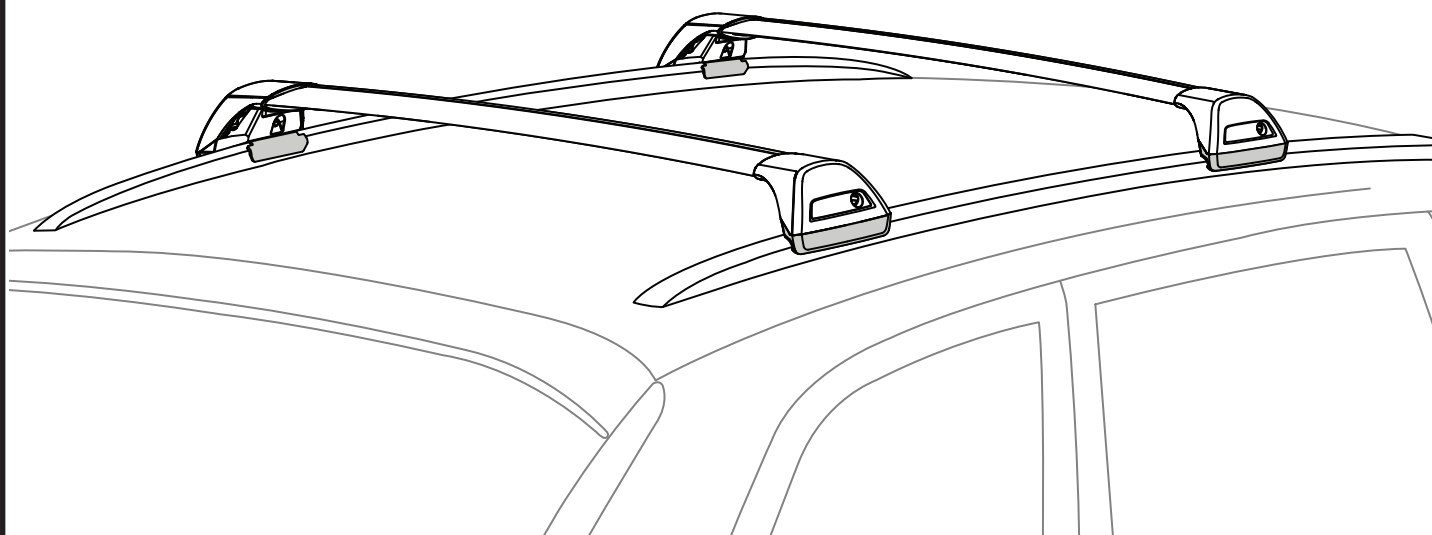


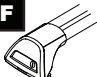





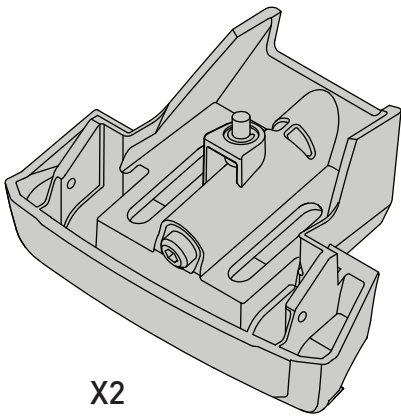
K962

Fitting Kit

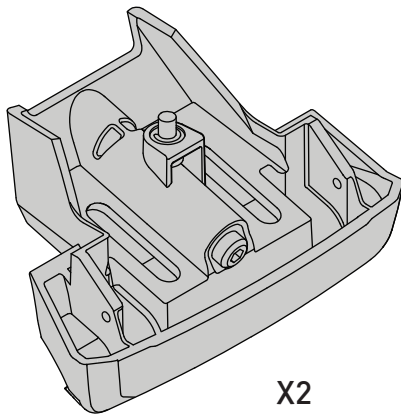


MAX kg (lb)					
		F 	T 	HD 	P 
Hyundai Tucson, Glass Roof, 5dr SUV 2015+	AU, NZ, EU, ZA	75 kg (165 lb)			

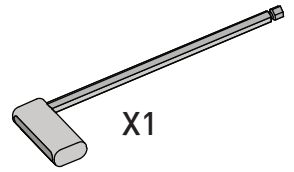
CONTENTS • CONTENUTO • CONTENIDO • INHALT • CONTENUTI



X2



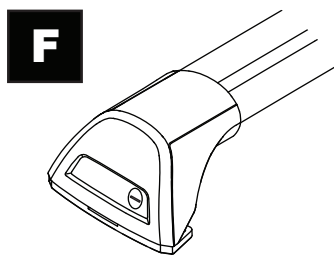
X2



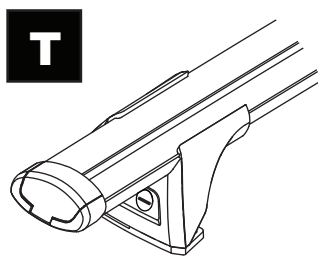
X1



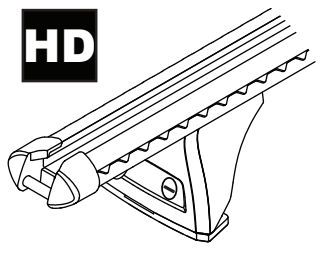
X8



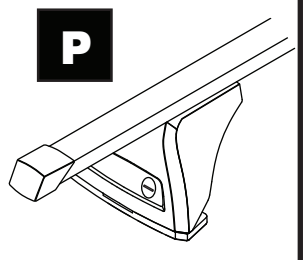
Flush Bar (F)



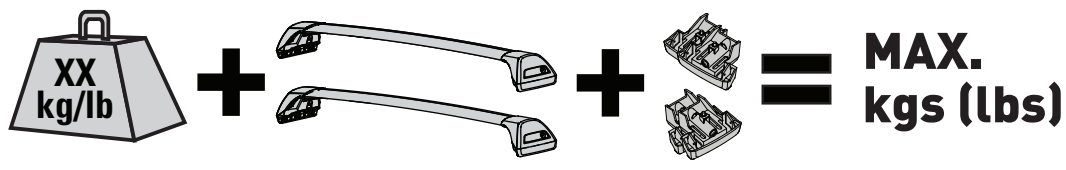
Through Bar (T)



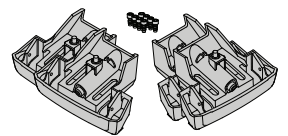
Heavy Duty Bar (HD)



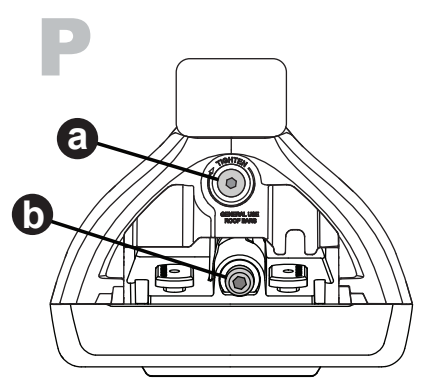
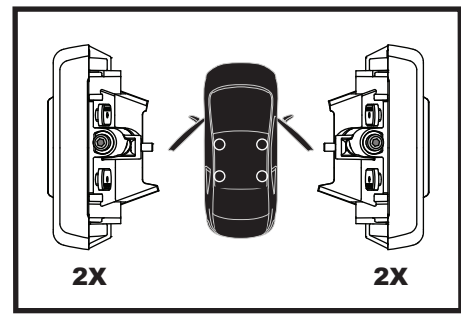
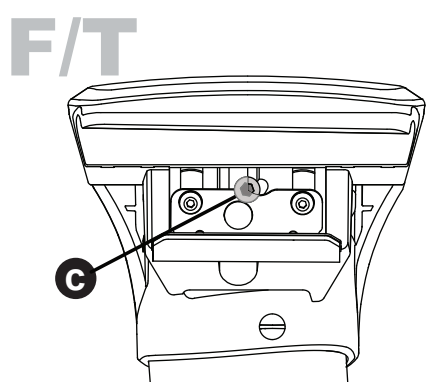
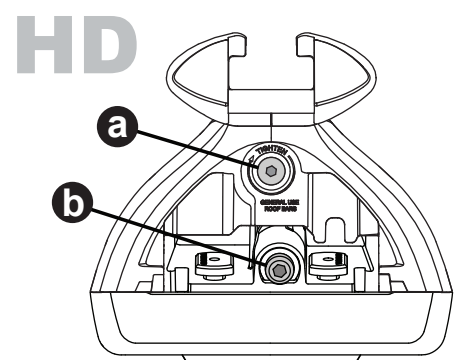
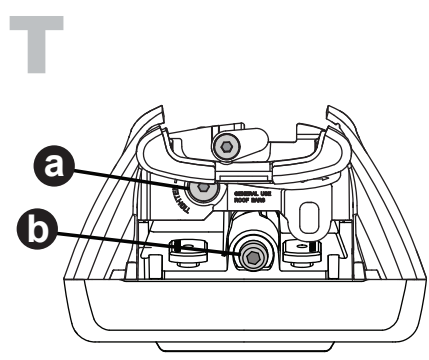
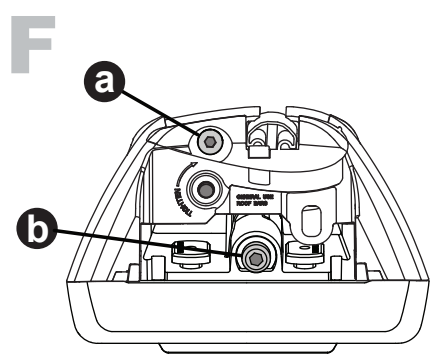
Square Bar/P-Bar (P)

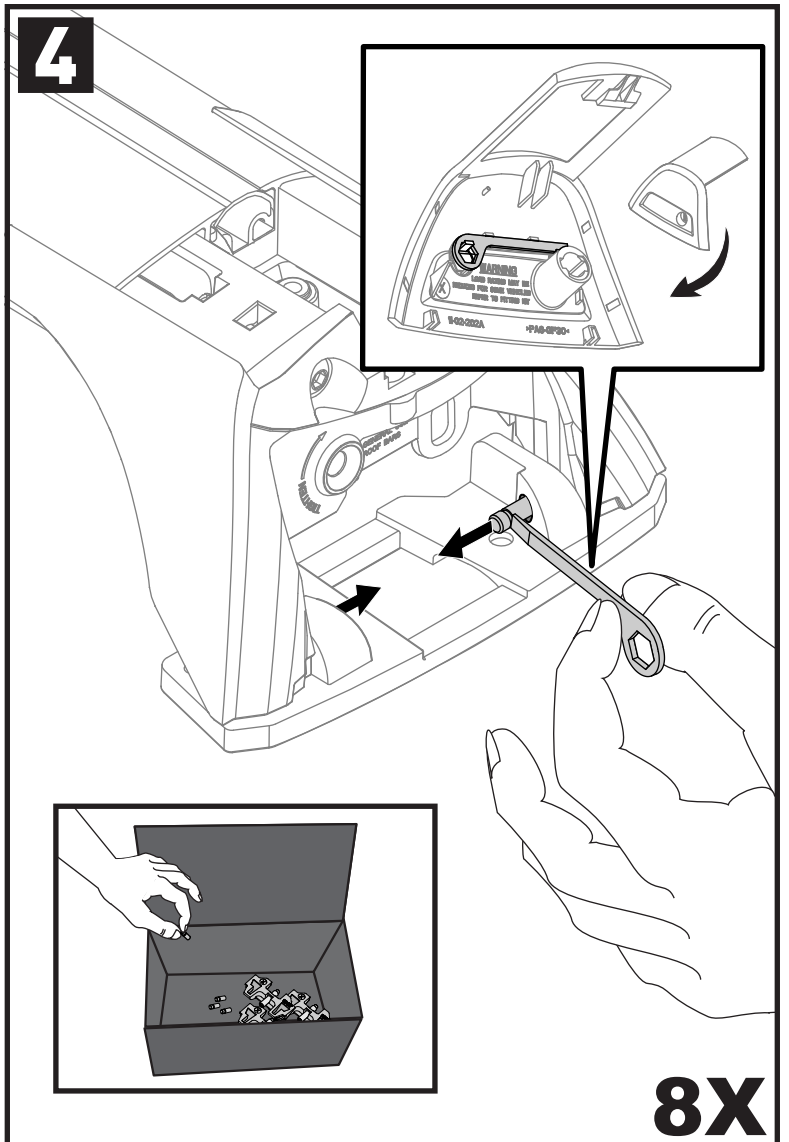
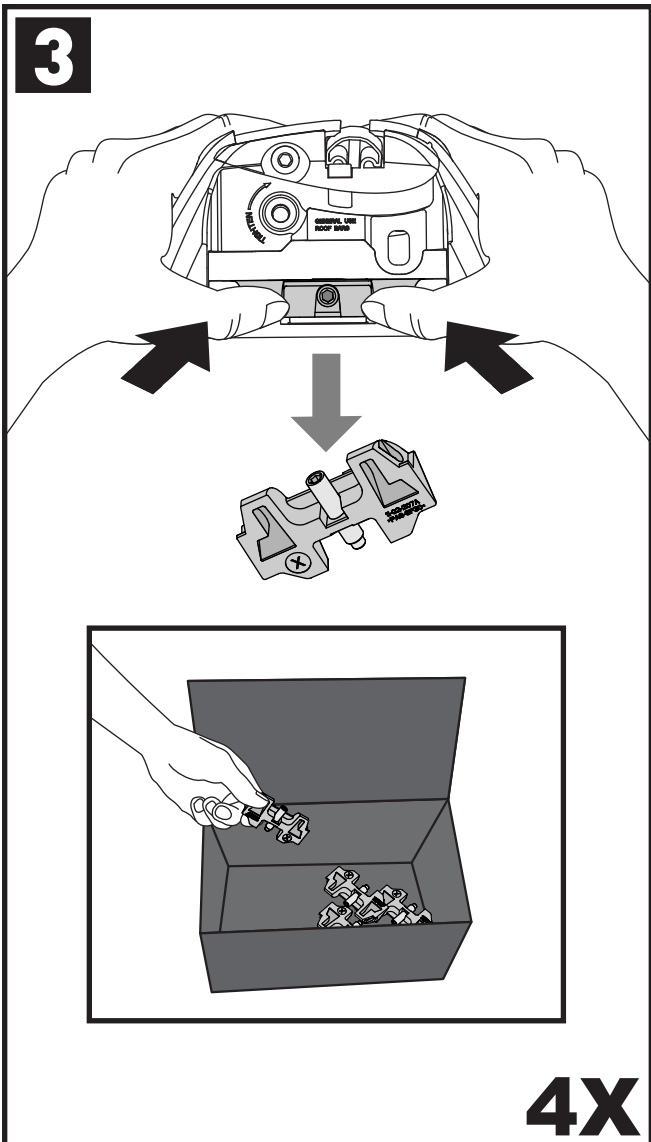
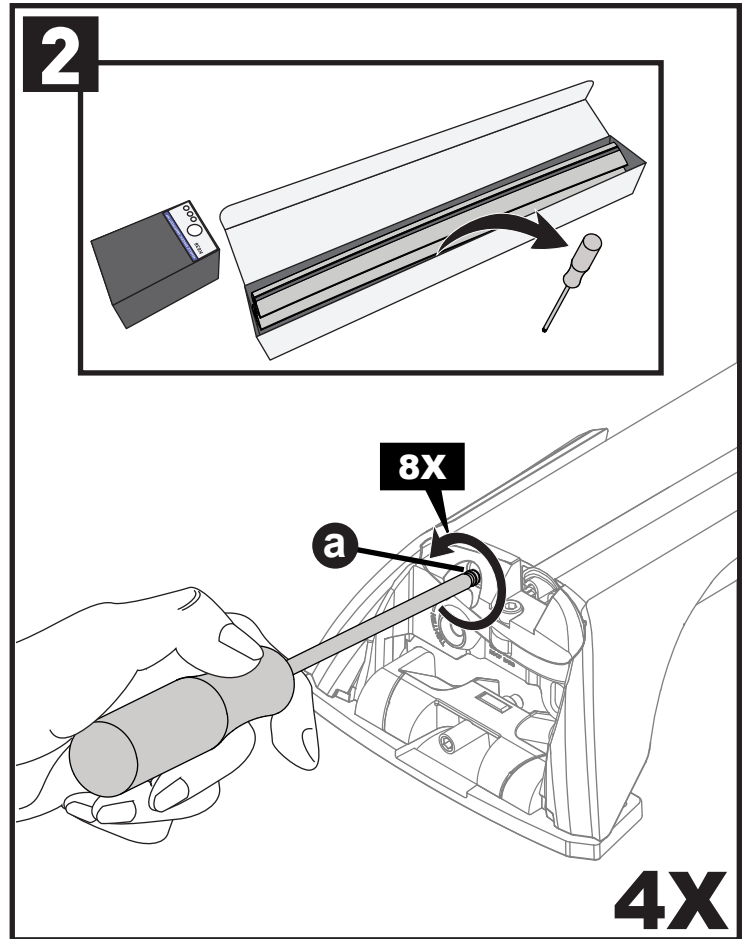
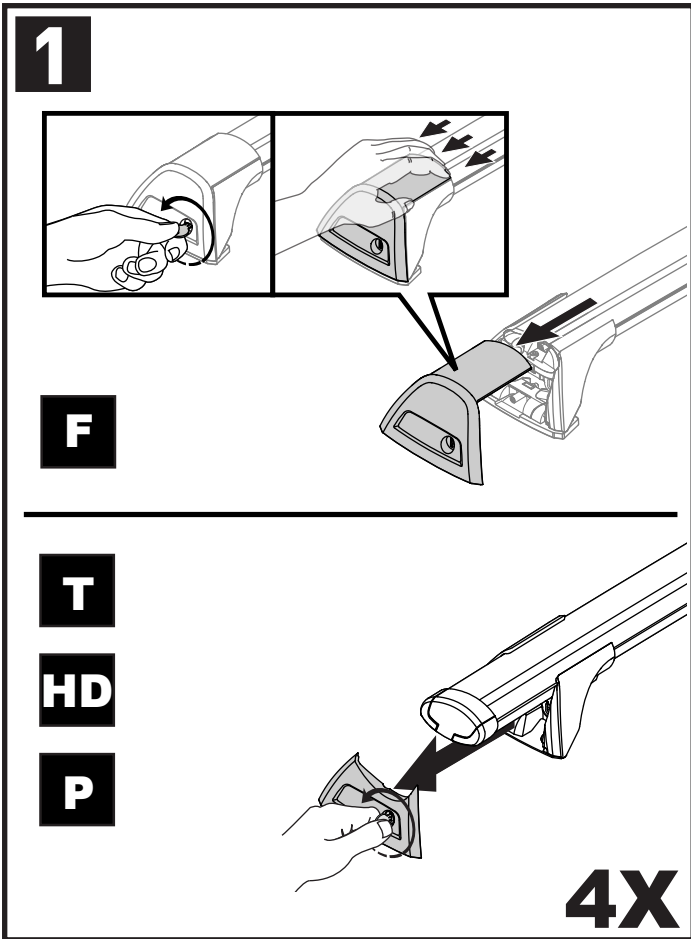


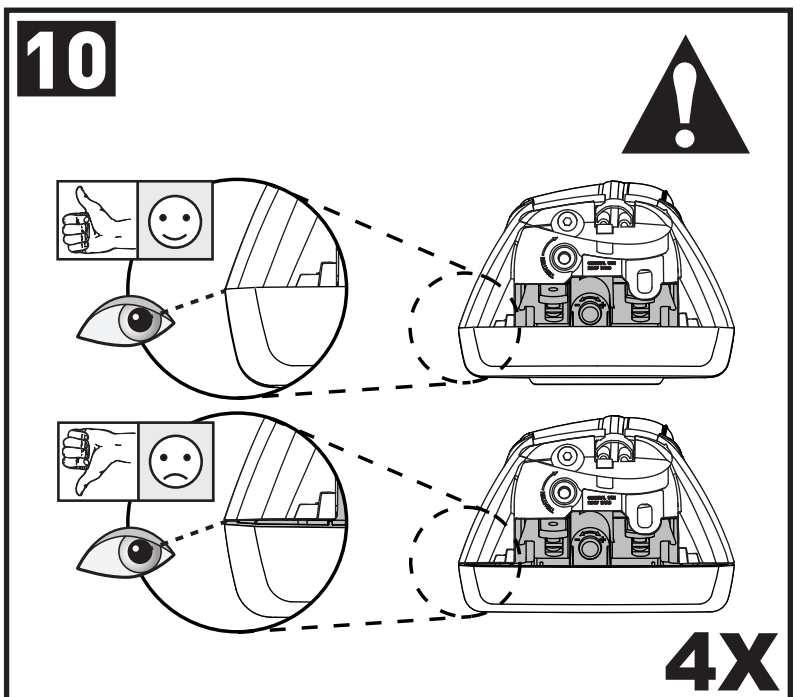
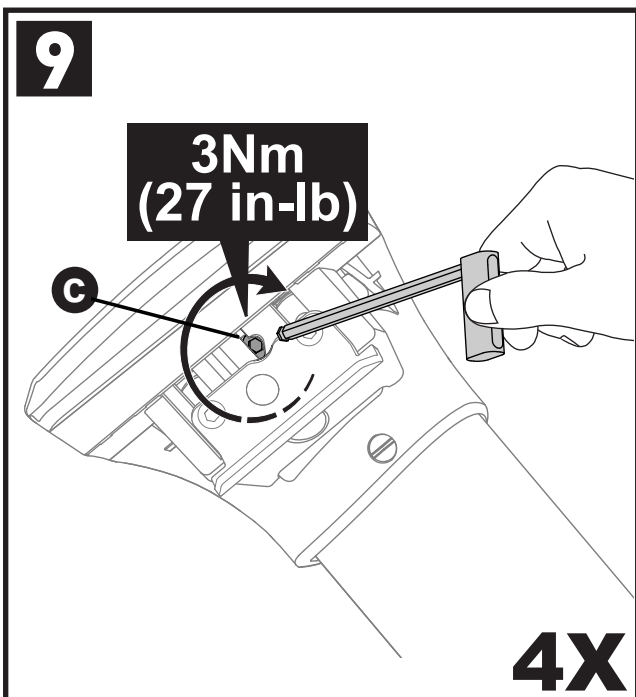
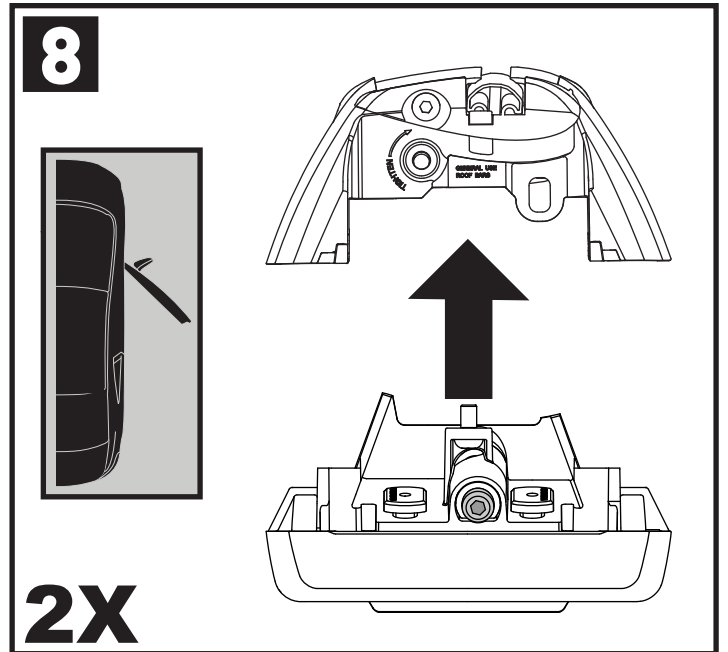
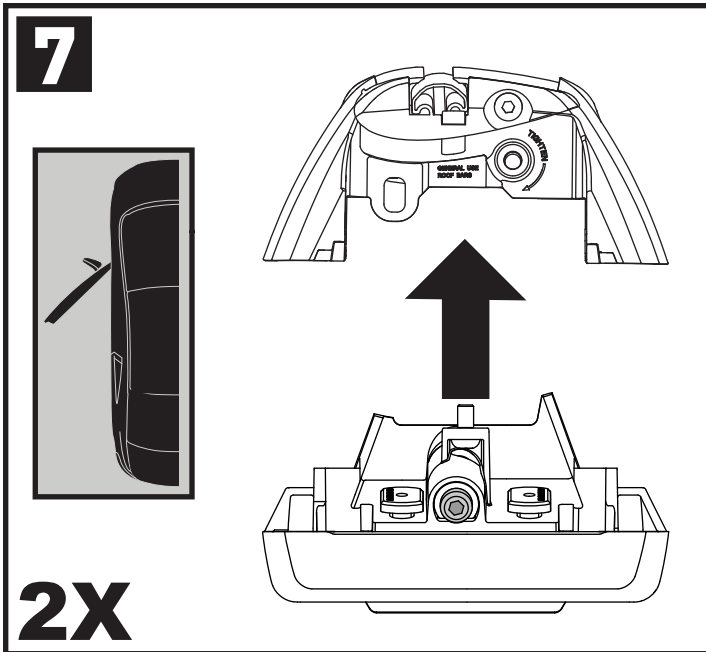
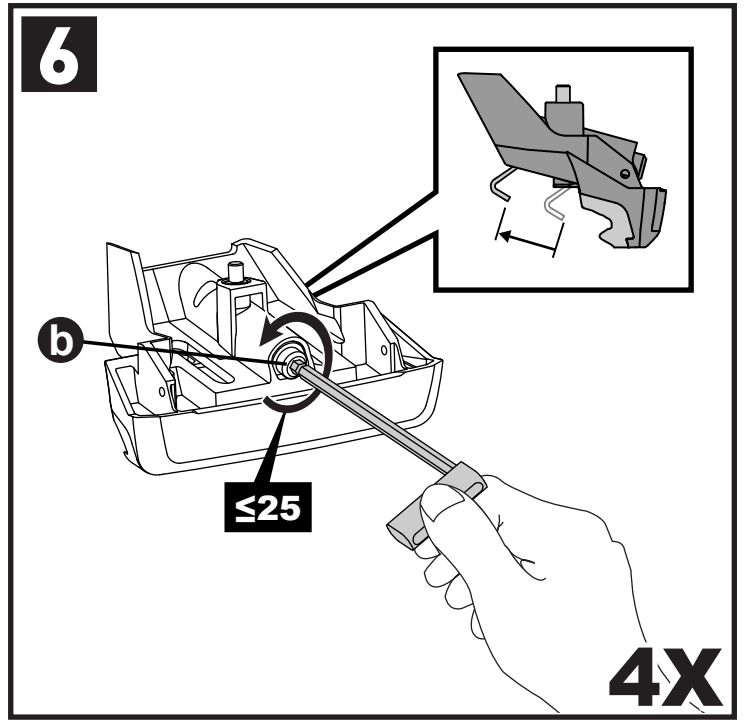
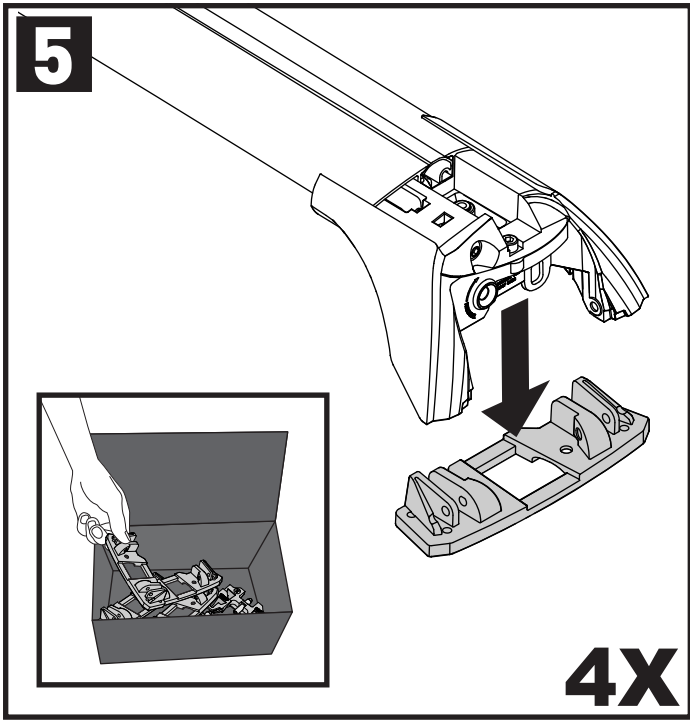
K962

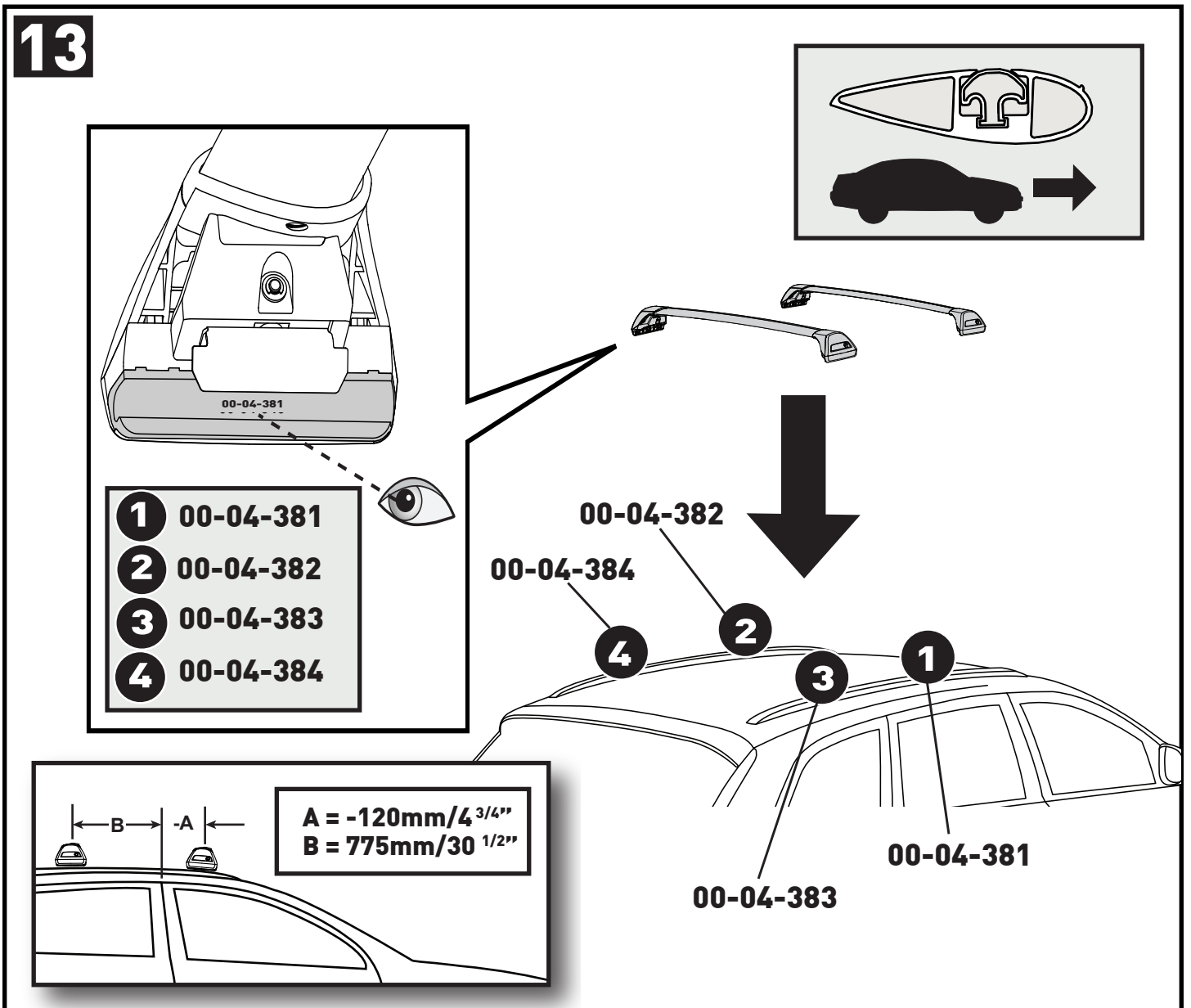
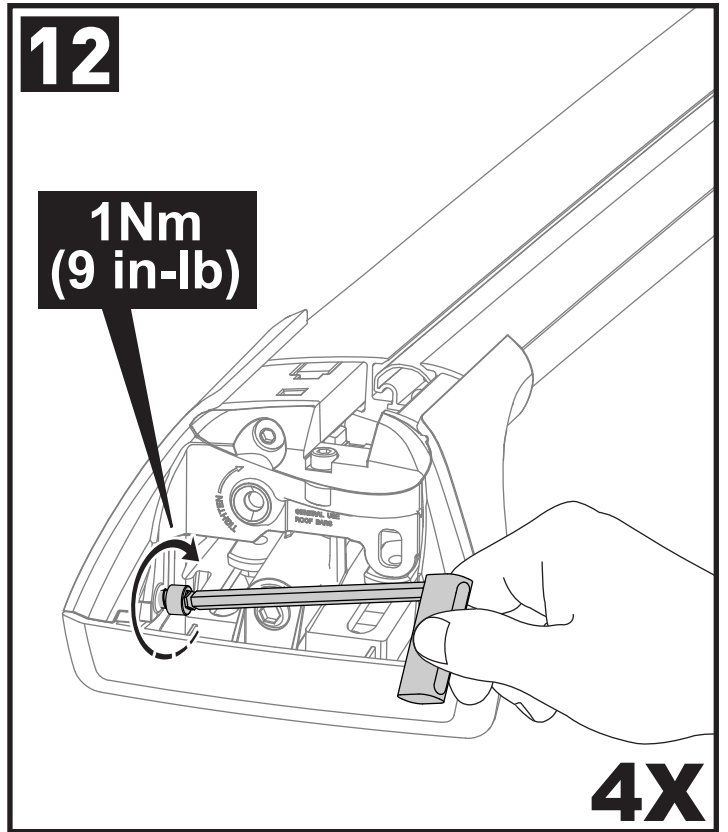
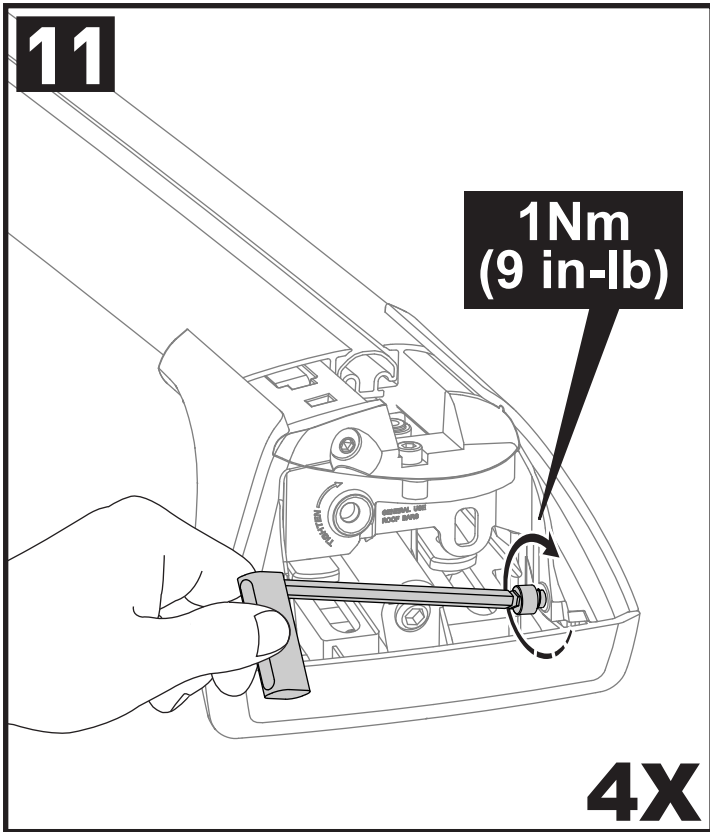


= 1.1 kg (2.5 lbs.)

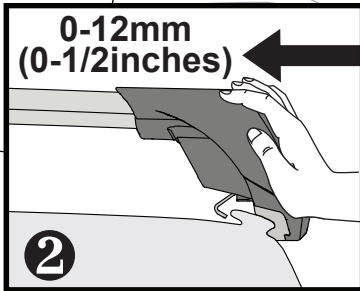
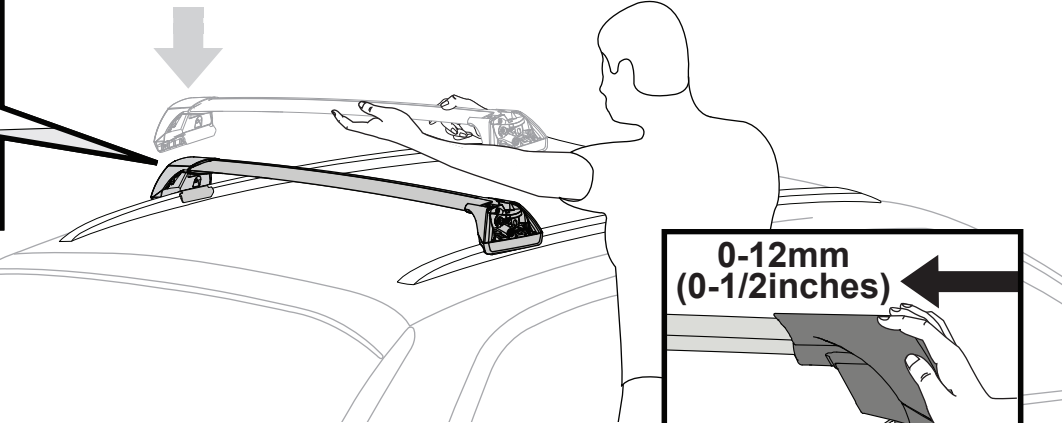
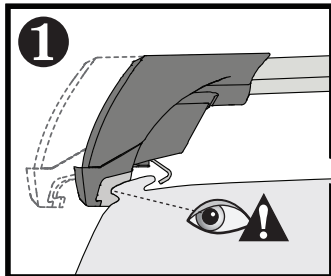
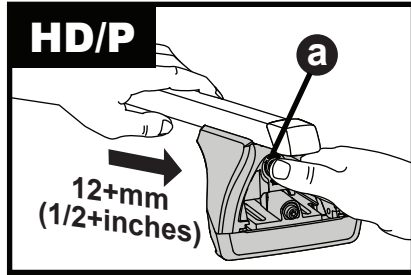
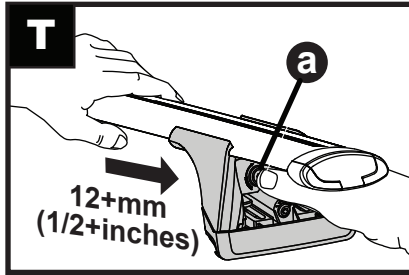
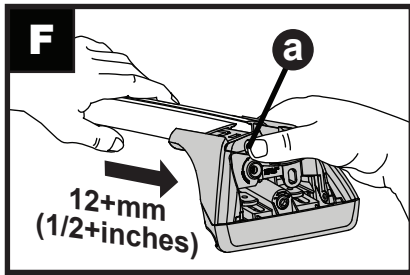






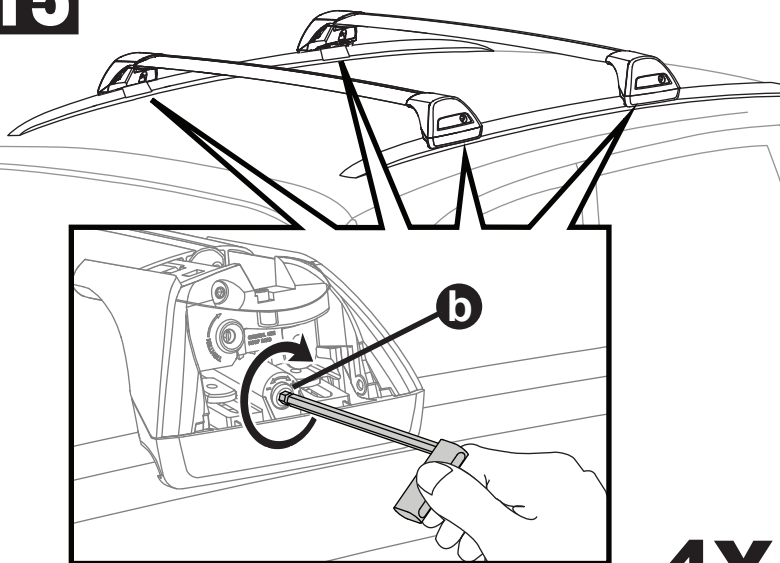


14



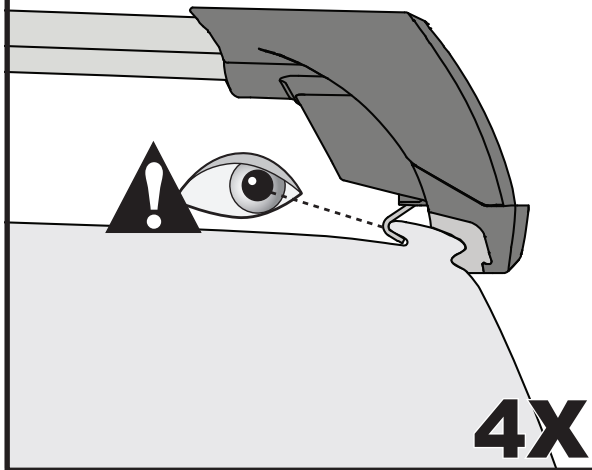
2X

15



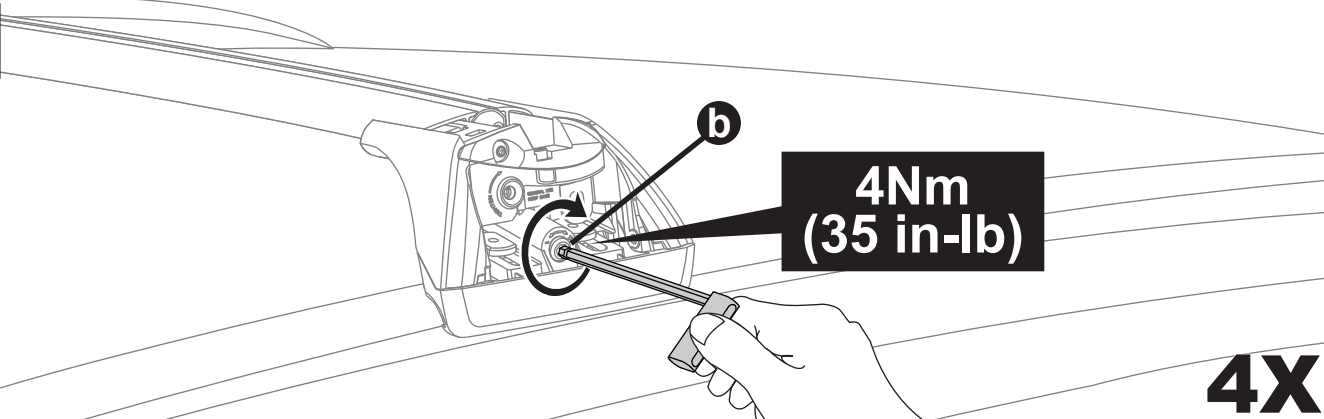
4X

16



4X

17

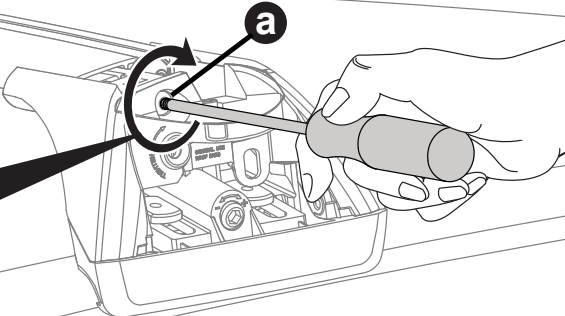


4X

18



3Nm
(27 in-lb)



4X

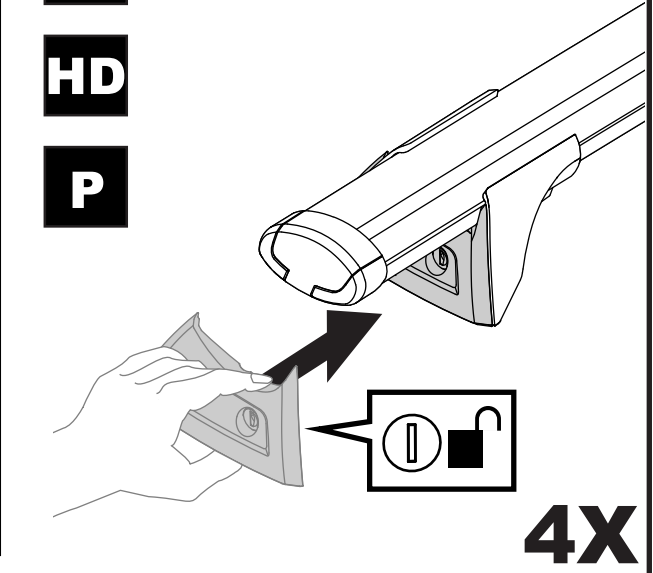
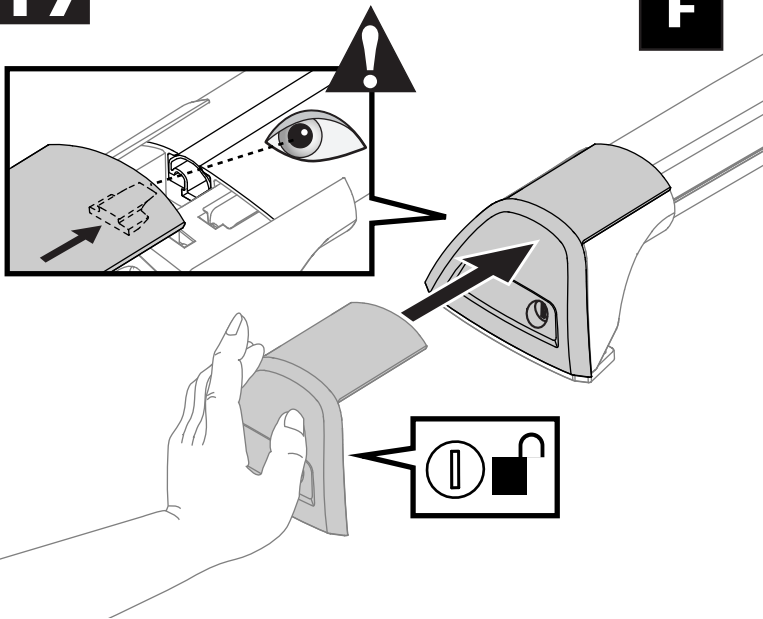
19

F

T

HD

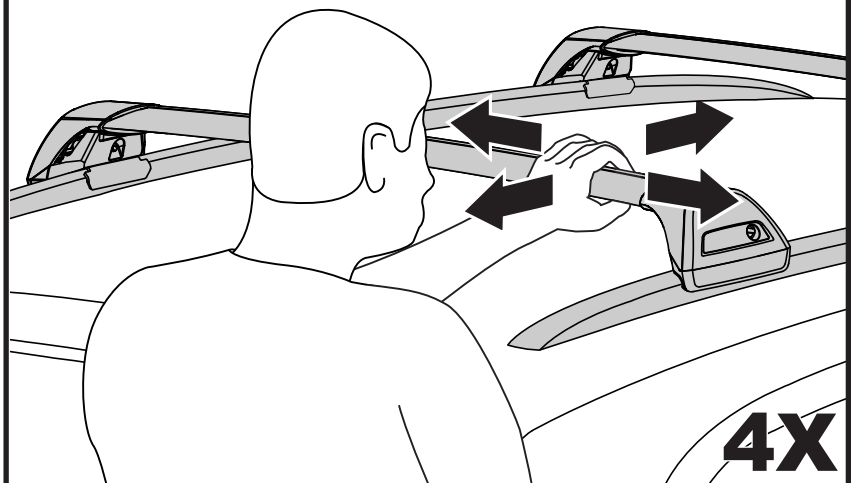
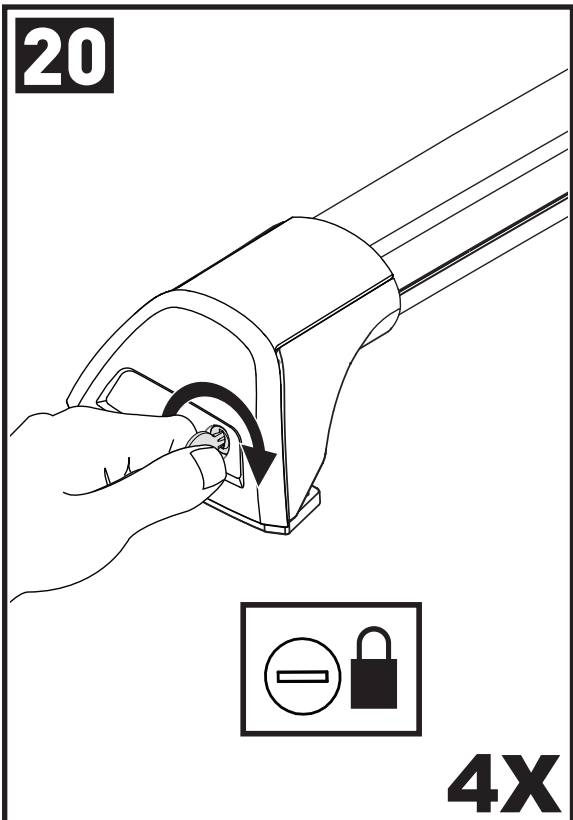
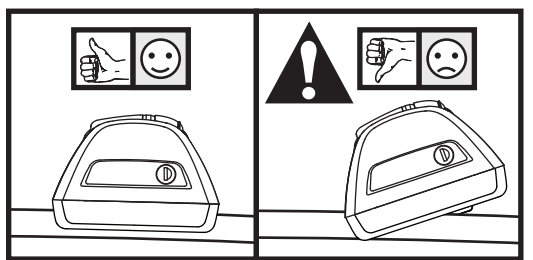
P



4X

20

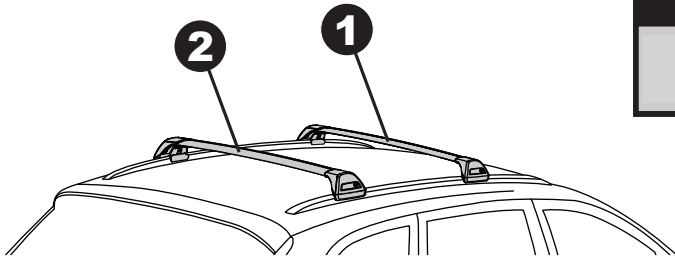
21



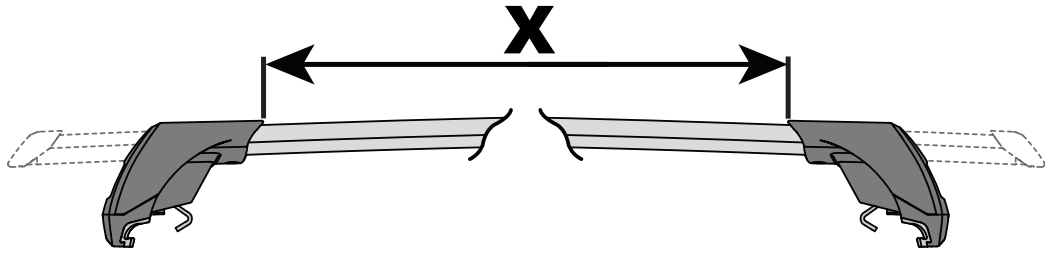
4X

4X

K962	X 1	X 2
Hyundai Tucson	921mm/36 ¹ / ₄ "	871mm/34 ¹ / ₄ "

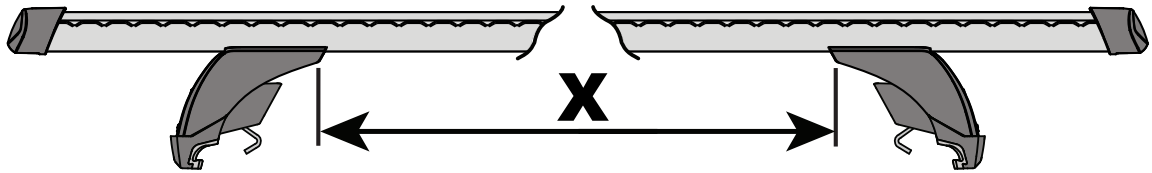


F

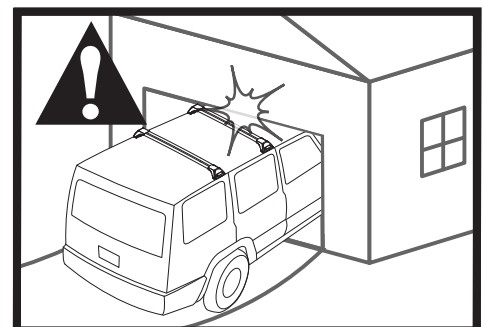
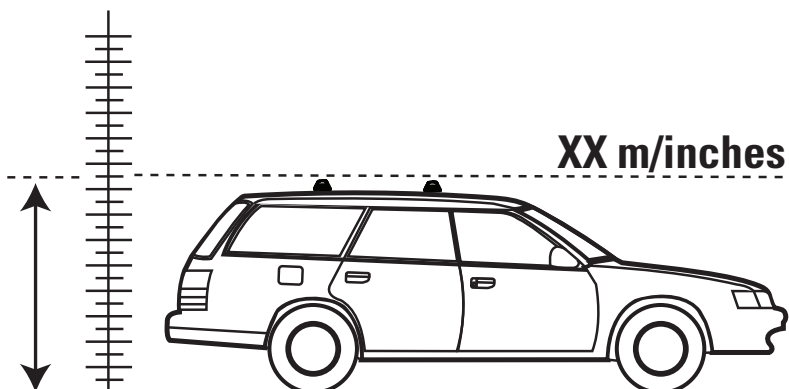
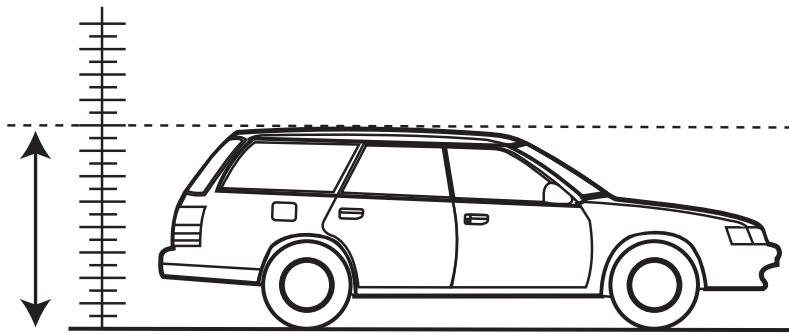
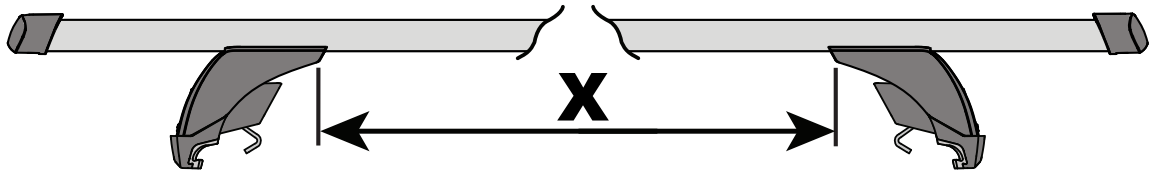


T

HD



P



**Record Height Here.
Noter la hauteur ici.
Escriba aquí la altura.
Hier Größe eintragen.
Annotate qui l'altezza.**