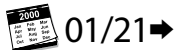
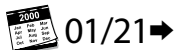


Art. **N30414**

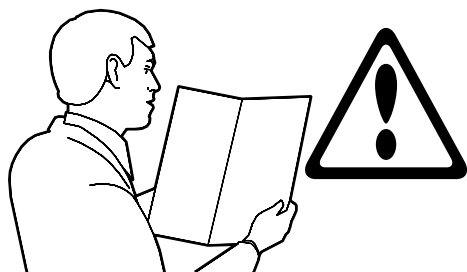
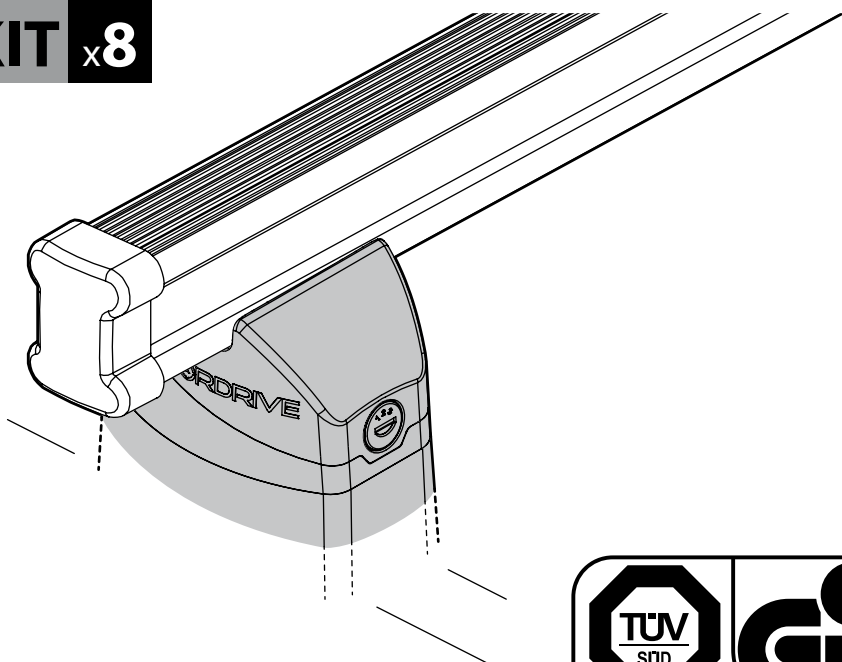
**VOLKSWAGEN CADDY  
MAXI**



**VOLKSWAGEN CADDY  
MAXI LIFE**



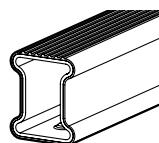
**KIT x8**



- ① ADATTO PER
- Ⓒ SUITABLE FOR
- Ⓕ INDIQUÉ POUR
- Ⓓ GEEIGNET FÜR
- Ⓔ ADECUADA PARA

**NORDRIVE  
KARGO SERIES**

- ① ISTRUZIONI DI MONTAGGIO
- Ⓒ FITTING INSTRUCTIONS
- Ⓓ MONTAGEANLEITUNG
- Ⓕ INSTRUCTIONS DE MONTAGE
- Ⓔ ISTRUCCIONES DE MONTAJE
- Ⓖ INSTRUÇÕES DE MONTAGEM
- Ⓗ MONTAGE-INSTRUCTIES
- Ⓒ MONTERINGSANVISNING
- Ⓕ ASENNUSOHJE
- Ⓔ PAIGALDUSJUHEND
- Ⓗ STIPRINĀŠANAS INSTRUKCIJA
- Ⓕ PRITVIRTINIMO INSTRUKCIJOS
- Ⓖ INSTRUKCJA MONTAŻU
- Ⓕ Инструкции по установке
- Ⓕ NÁVOD NA MONTÁŽ
- Ⓕ NÁVOD NA MONTÁŽ
- Ⓕ NAVODILA ZA PRITRJEVANJE
- Ⓕ UPUTA ZA SASTAVLJANJE
- Ⓕ A FELSZERELÉS MÓDJA
- Ⓕ Οδηγίες συναρμολόγησης
- Ⓕ MONTAJ TALIMATLARL
- Ⓕ ИHCTPYKЦИИ 3A MOHTAЖ
- Ⓕ UPUTSTVA ZA MONTAŽU

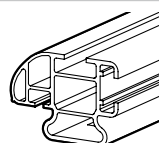


**Kargo**  
ACCIAIO  
Steel

- ① BARRE KARGO
- Ⓒ KARGO BARS
- Ⓕ BARRES KARGO
- Ⓓ DACH-LASTENTRÄGER KARGO
- Ⓔ BARRES KARGO

150cm

Art. **N10010** x4

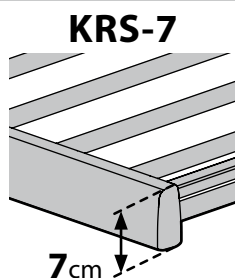


**Kargo-Plus**  
ALLUMINIO  
Aluminium

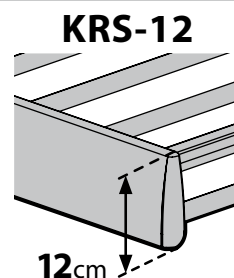
- ① BARRE KARGO-PLUS
- Ⓒ KARGO-PLUS BARS
- Ⓕ BARRES KARGO-PLUS
- Ⓓ DACH-LASTENTRÄGER KARGO-PLUS
- Ⓔ BARRES KARGO-PLUS

150cm

Art. **N10040** x4



7cm

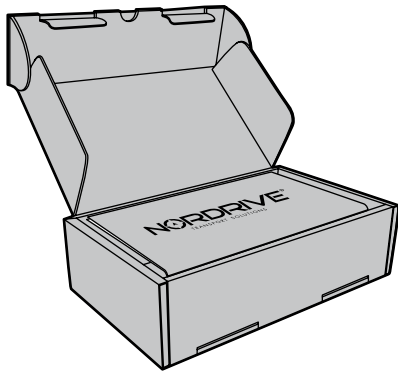


12cm

- ① CESTE PORTATUTTO KRS-7 / KRS-12
- Ⓒ KRS-7 / KRS-12 VAN ROOF RACKS
- Ⓕ GALERIE KRS-7 / KRS-12
- Ⓓ DACHKÖRBEIN KRS-7 / KRS-12
- Ⓔ BACAS KRS-7 / KRS-12

**NORDRIVE**<sup>®</sup>

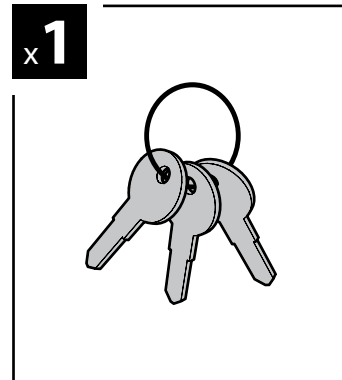
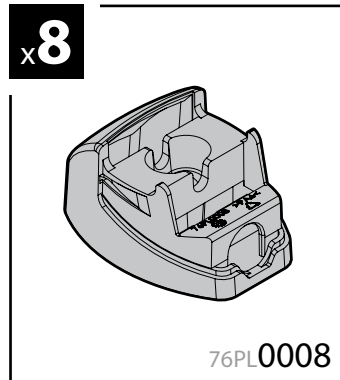
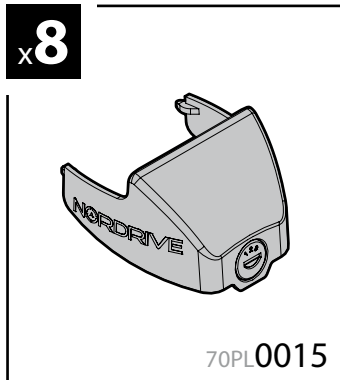
TRANSPORT SOLUTIONS



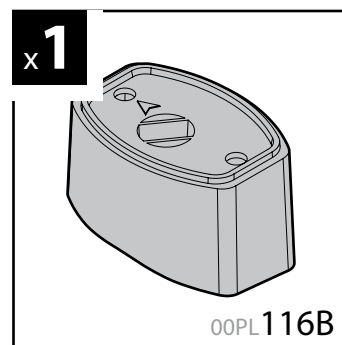
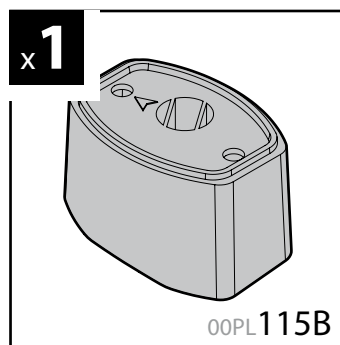
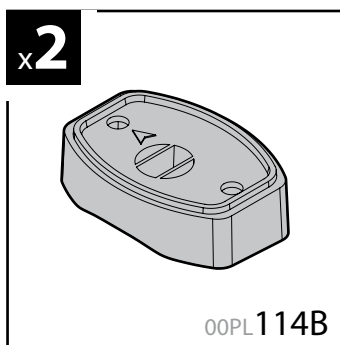
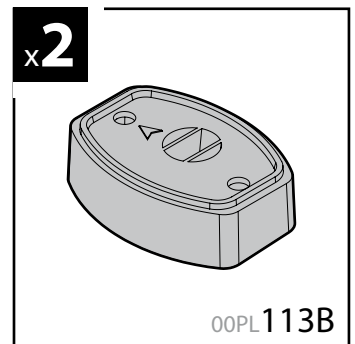
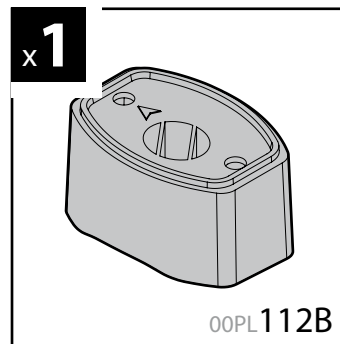
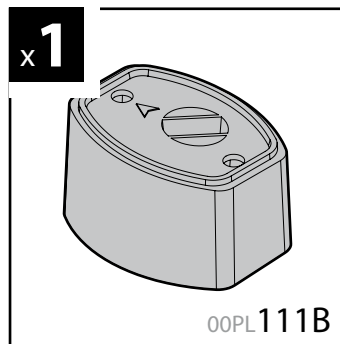
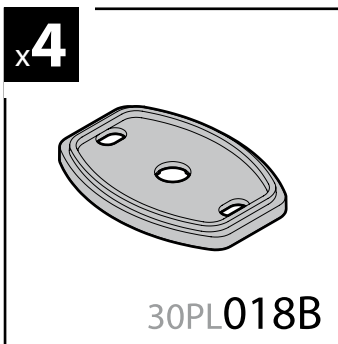
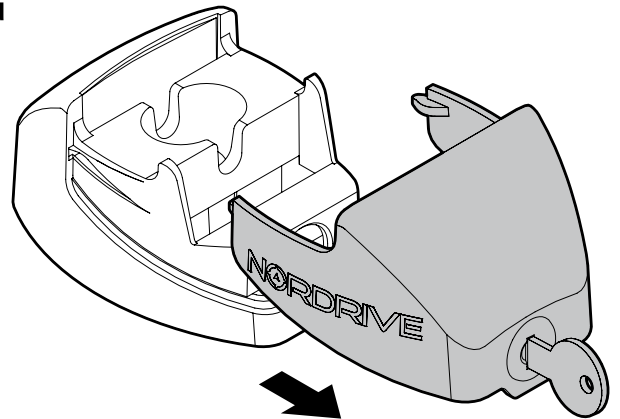
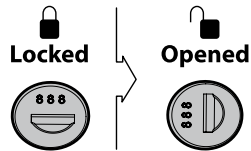
# NORDRIVE<sup>®</sup>

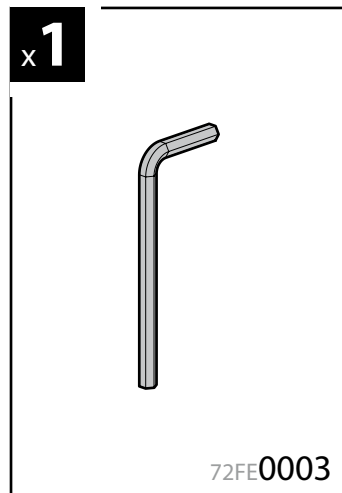
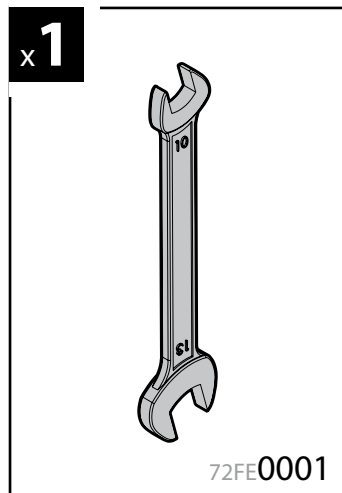
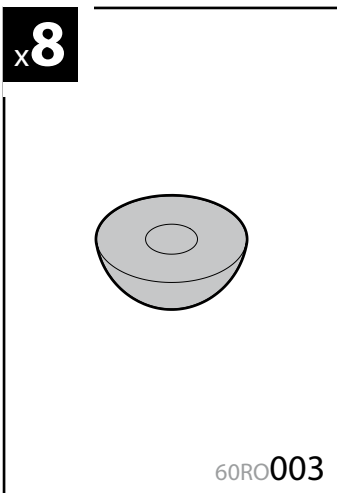
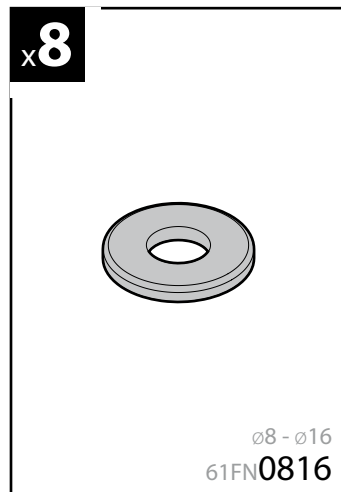
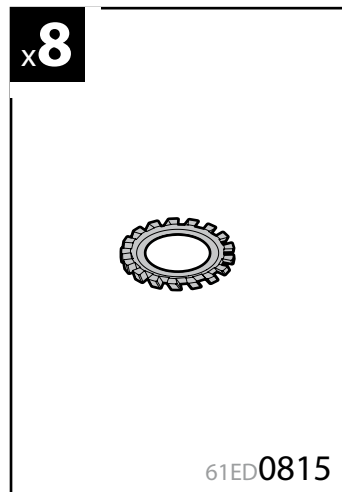
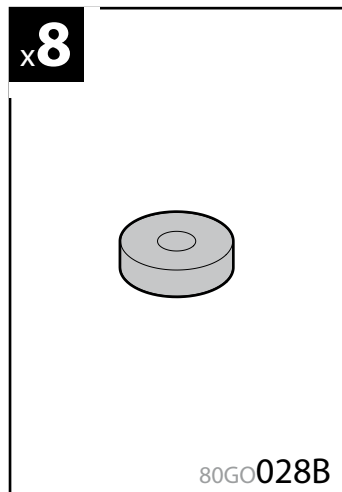
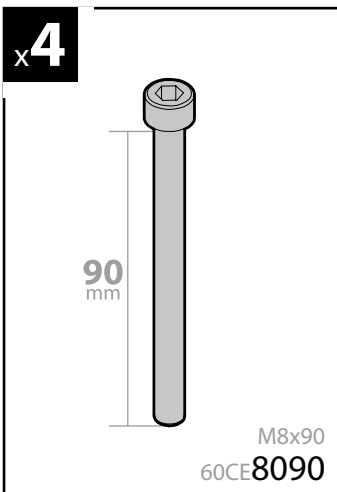
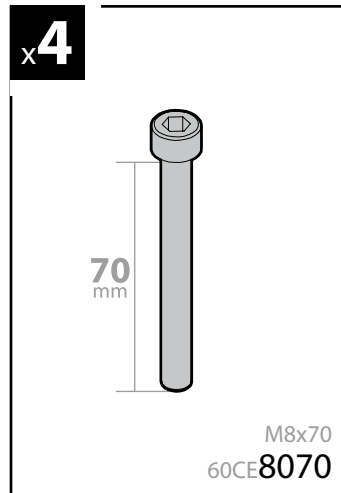
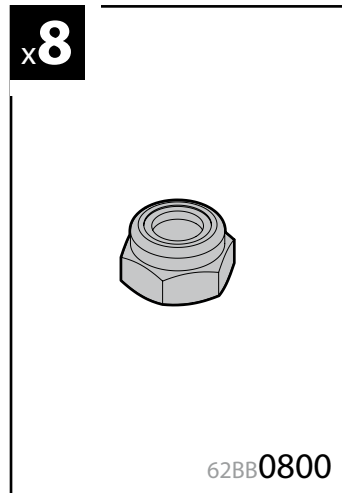
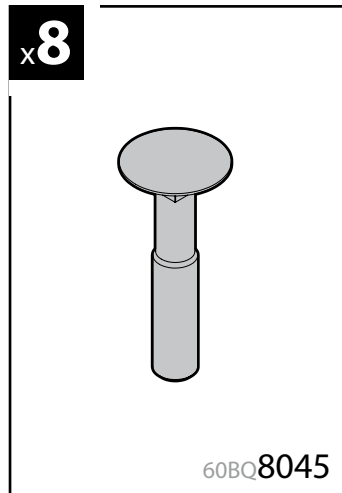
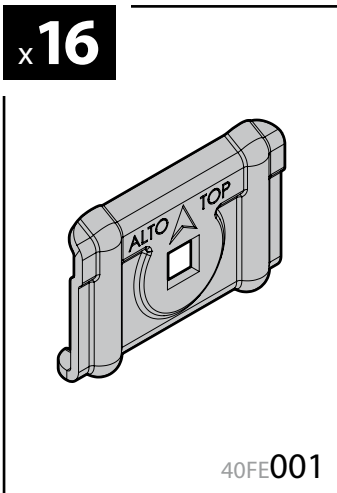
TRANSPORT SOLUTIONS

Art. **N30414**



1 x Year





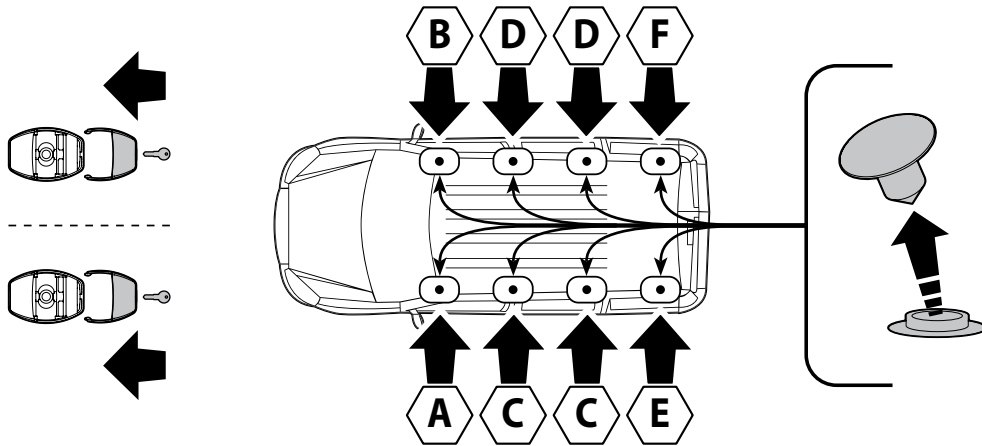


(I) ISTRUZIONI DI MONTAGGIO  
 (GB) FITTING INSTRUCTIONS  
 (D) MONTAGEANLEITUNG  
 (F) INSTRUCTIONS DE MONTAGE  
 (E) INSTRUCCIONES DE MONTAJE  
 (P) INSTRUÇÕES DE MONTAGEM  
 (NL) MONTAGE-INSTRUCTIES  
 (S) MONTERINGSANVISNING

(FIN) ASENNUSOHJE  
 (EST) PAIGALDUSJUHEND  
 (LAT) STIPRINĀŠANAS INSTRUKCIJA  
 (LT) PRITVIRTINIMO INSTRUKCIJOS  
 (PL) INSTRUKCJA MONTAŻU  
 (RUS) Инструкции по установке  
 (CZ) NÁVOD NA MONTÁŽ  
 (SK) NÁVOD NA MONTÁŽ

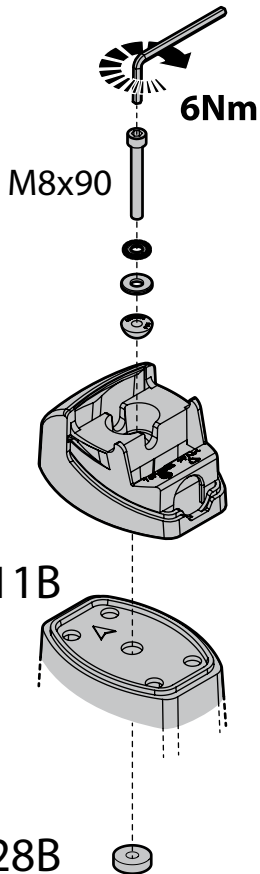
(SLO) NAVODILA ZA PRITRJEVANJE  
 (HR) UPUTA ZA SASTAVLJANJE  
 (H) A FELSZERELÉS MÓDJA  
 (GR) Οδηγίες συναρμολόγησης  
 (TR) MONTAJ TALIMATLARI  
 (BG) ИНСТРУКЦИИ ЗА МОНТАЖ  
 (SRB) UPUTSTVA ZA MONTAŽU

1



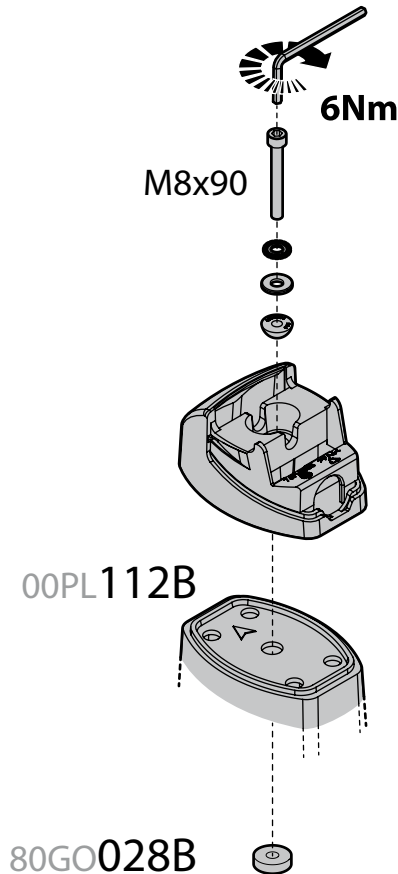
2

A



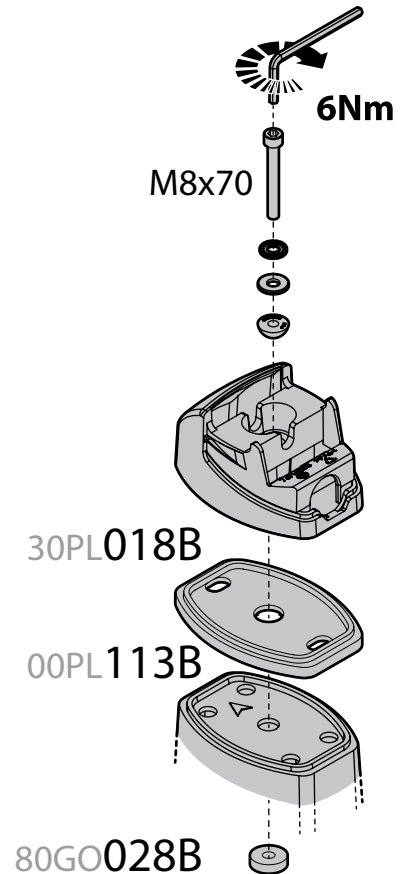
2

B



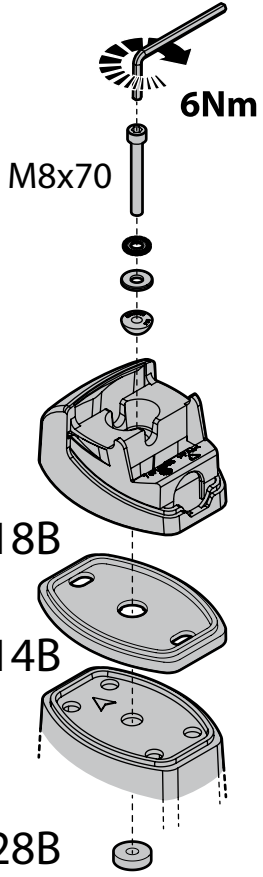
2

C



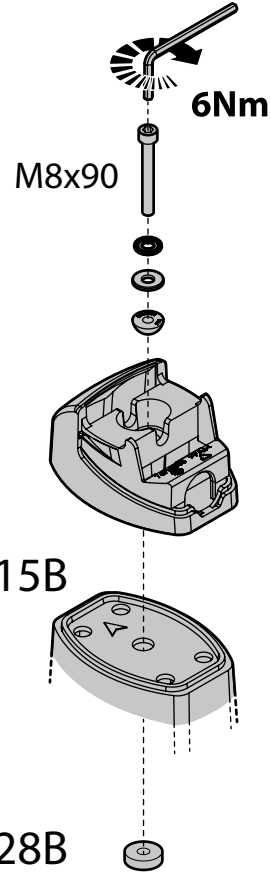
2

D



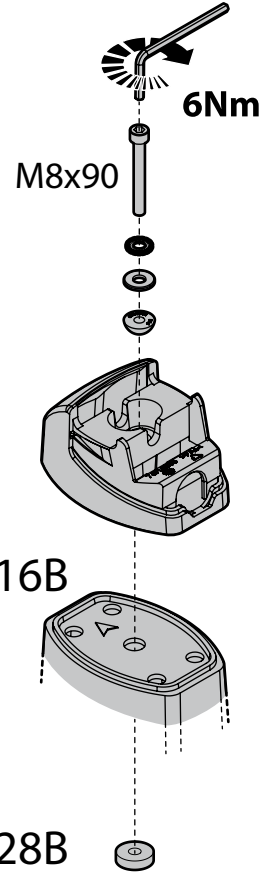
2

E



2

F





# ATTENZIONE WARNING



## Kargo

# A

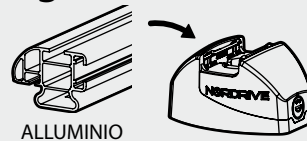


ACCIAIO  
Steel

MONTAGGIO DIRETTO  
SUI KIT PIEDI SPECIFICI  
DIRECTLY ON FOOT KITS  
BEFESTIGUNGSFÜSSE

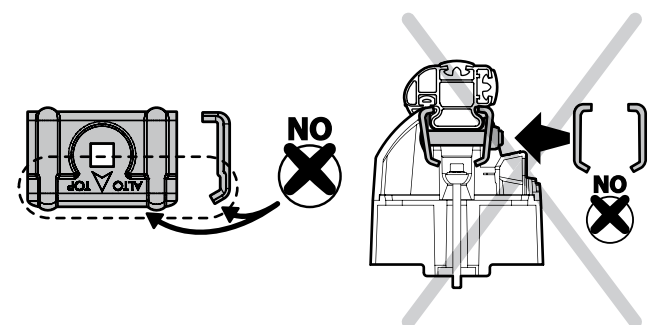
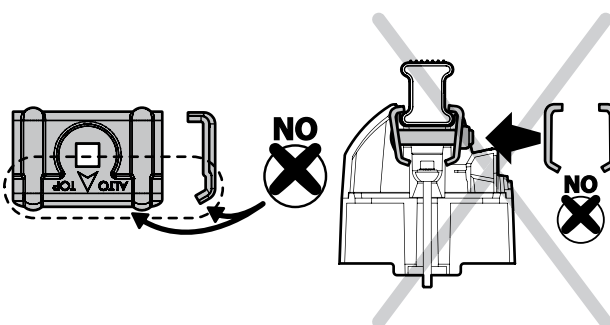
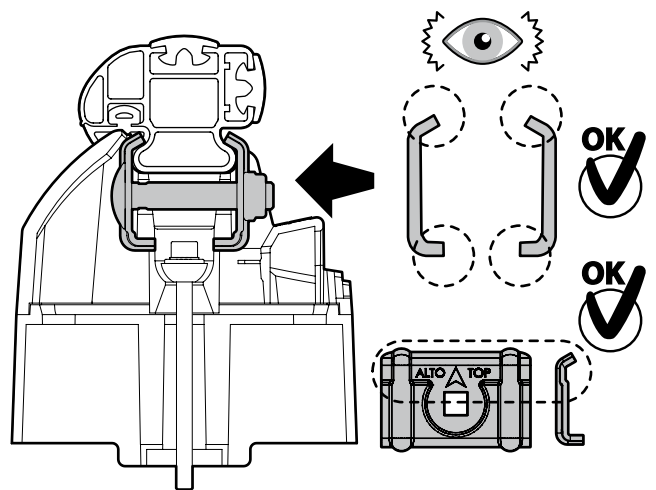
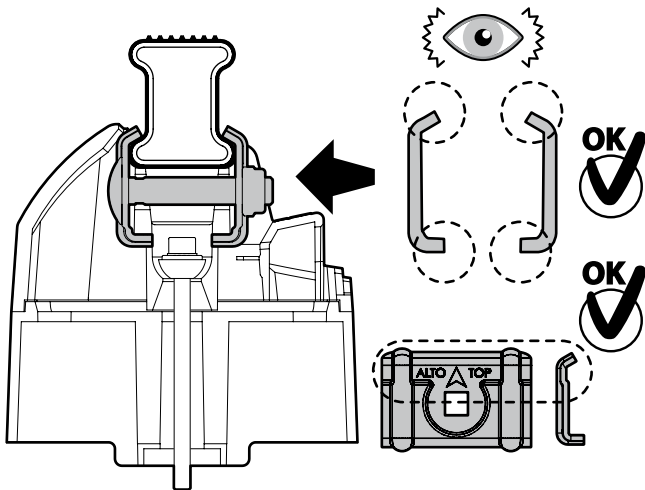
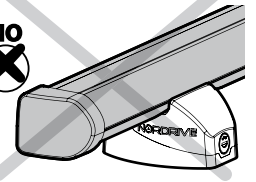
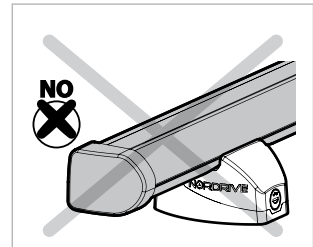
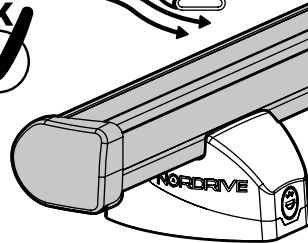
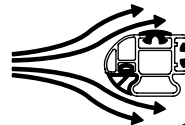
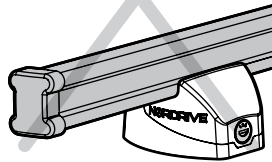
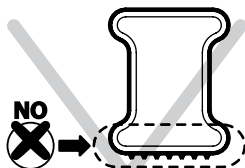
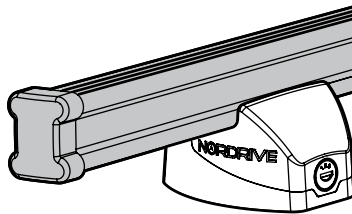
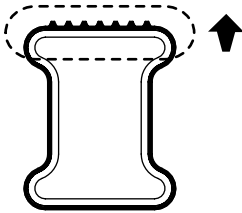
## Kargo-Plus

# B

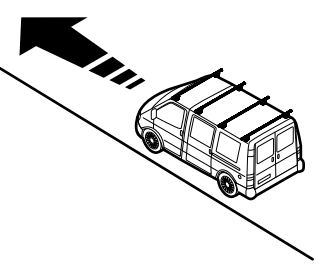
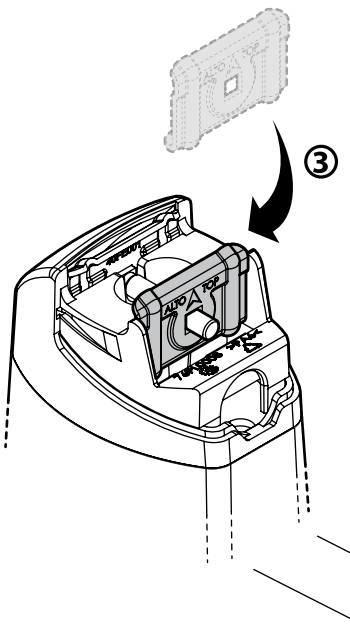
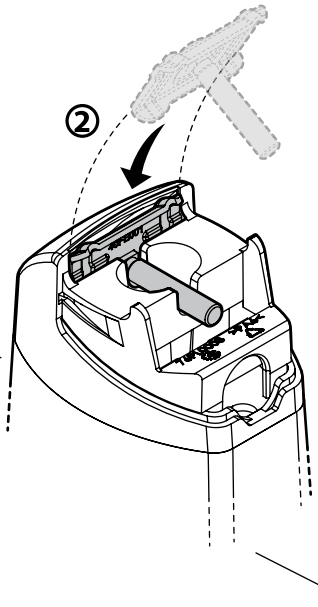
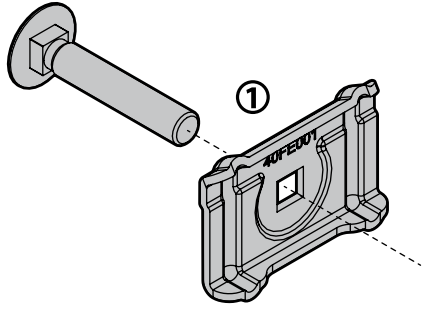


ALLUMINIO  
Aluminium

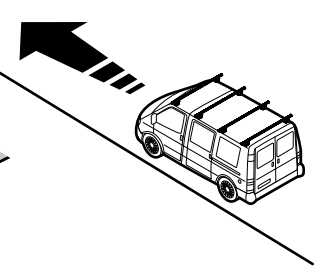
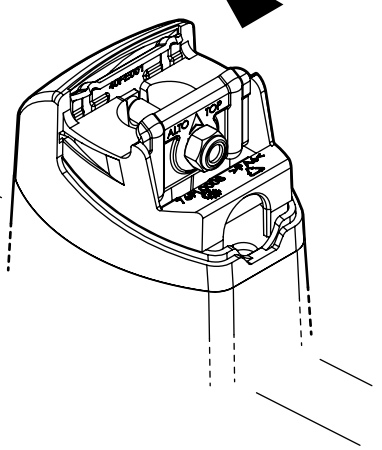
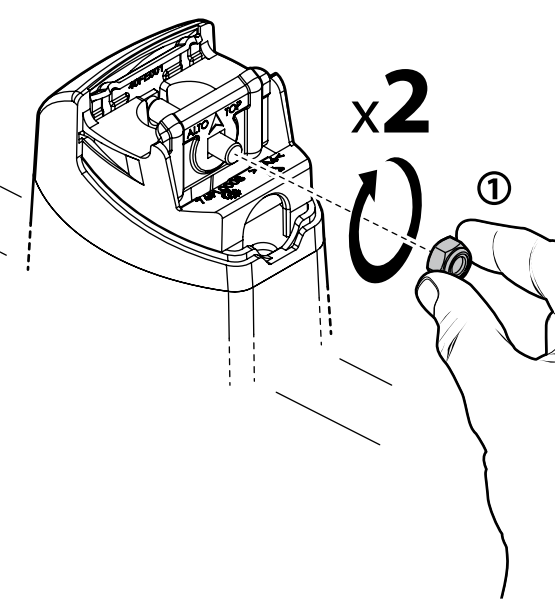
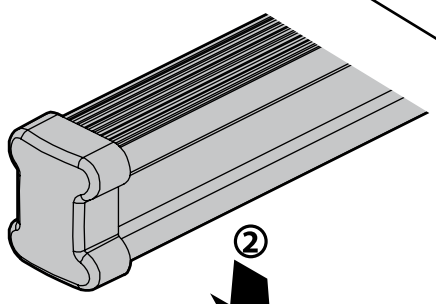
MONTAGGIO DIRETTO  
SUI KIT PIEDI SPECIFICI  
DIRECTLY ON FOOT KITS  
BEFESTIGUNGSFÜSSE



3



4





5

**A**

**Kargo**

ACCIAIO  
Steel

Diagram A illustrates the installation of the Kargo steel bar. It shows a cross-section of the steel bar and a top-down view of the bar being lowered onto the roof rails of a car. A level is used to ensure the bar is horizontal. Numbered callouts 1 and 2 indicate the bar and the mounting points respectively.

**B**

**Kargo-Plus**

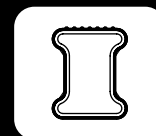
ALLUMINIO  
Aluminium

Diagram B illustrates the installation of the Kargo-Plus aluminium bar. It shows a cross-section of the aluminium bar and a two-step process. Step 1 shows the bar being lowered onto the roof rails. Step 2 shows the aluminium clips being cut and attached to the bar. A level is used to ensure the bar is horizontal. Numbered callouts 1 and 2 indicate the bar and the clips respectively.

6

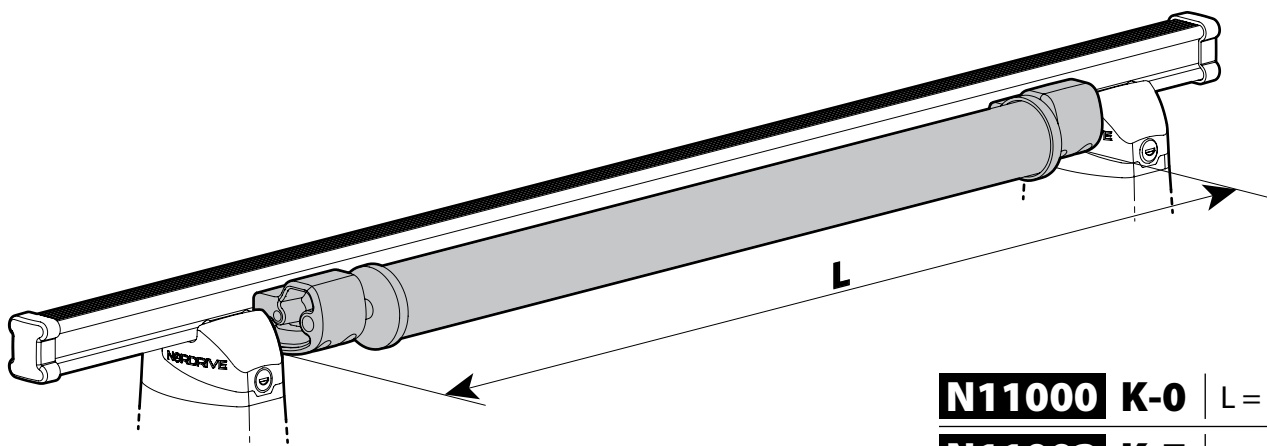
Diagram 6 illustrates the locking mechanism of the Kargo bar. It shows a close-up of the bar's end with a Nordrive lock being applied. A wrench is used to turn the lock handle, with a torque specification of 8Nm. A legend shows the 'Opened', 'Lock', and 'Locked' states with corresponding icons and a key. An inset shows a van with the bar installed on its roof.

# Kargo series



Acciaio / Steel

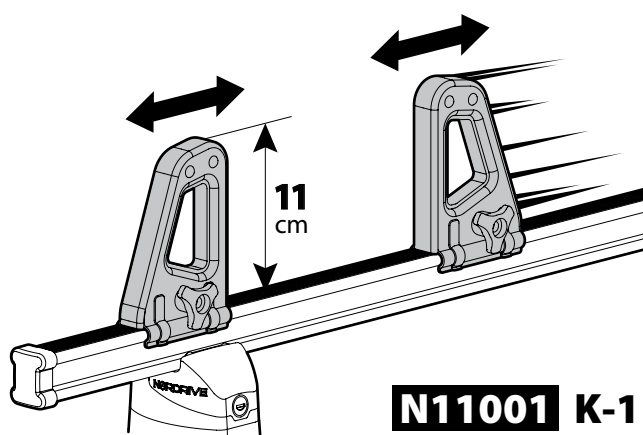
## Kargo Roller



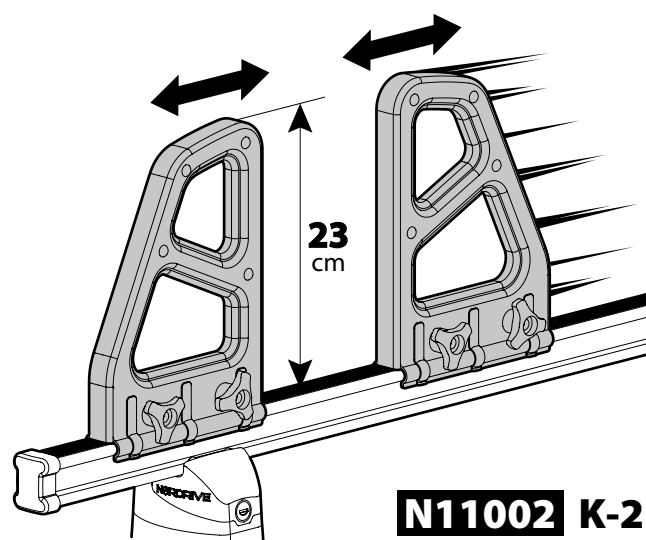
**N11000 K-0** | L = 64 cm

**N11003 K-7** | L = 96 cm

## Load Stops

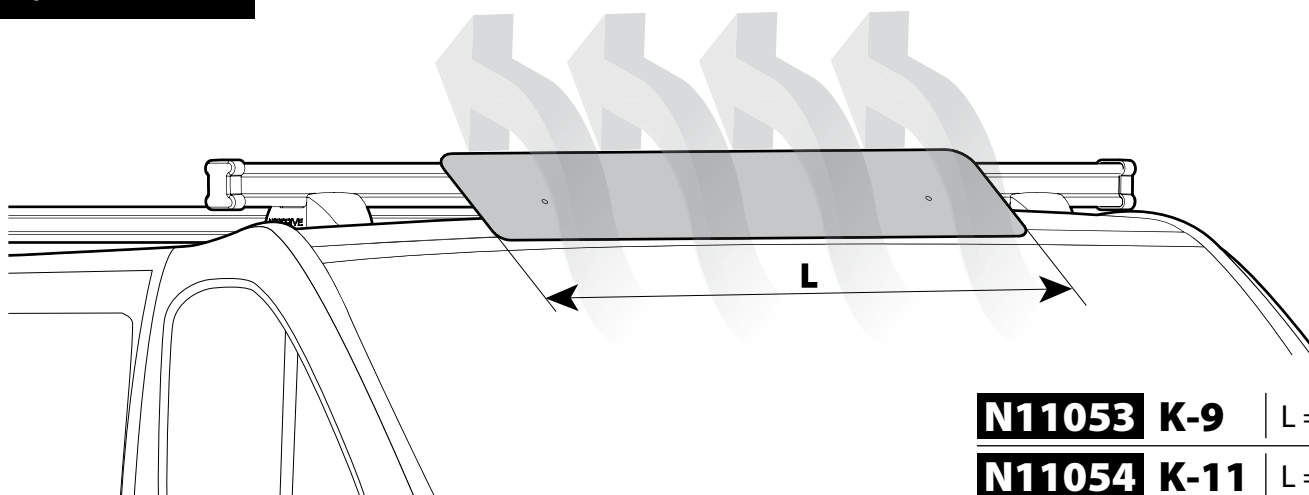


**N11001 K-1**



**N11002 K-2**

## Spoiler

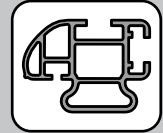


**N11053 K-9** | L = 95 cm

**N11054 K-11** | L = 110 cm

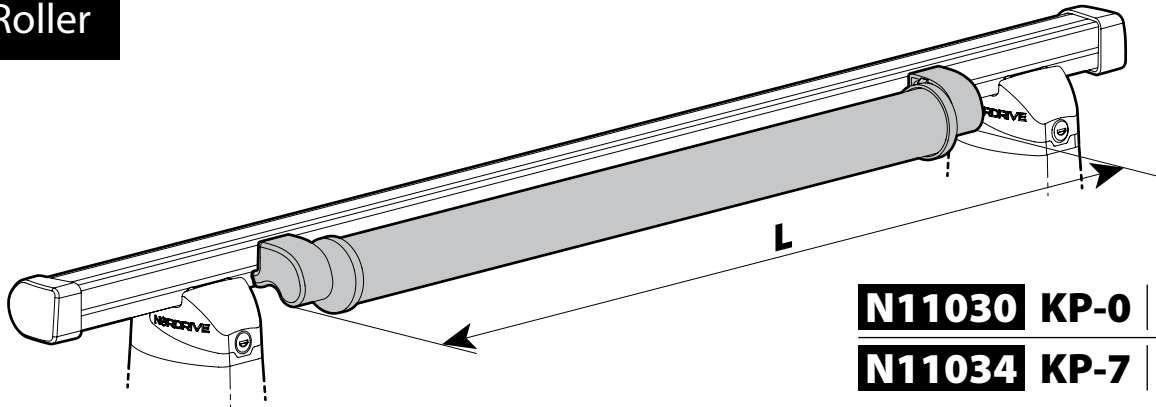
**OPTIONALS** PER / FOR / FÜR:

# Kargo-Plus series



Alluminio / Aluminium

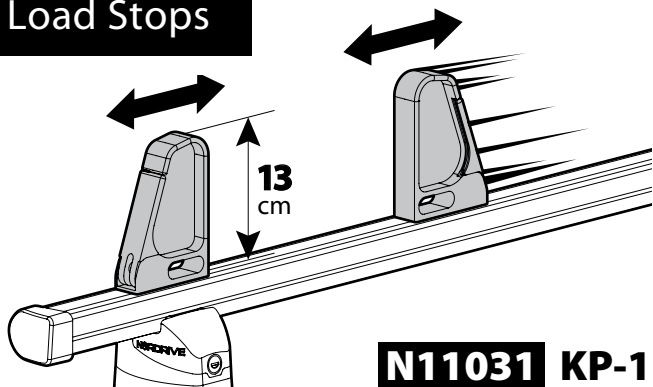
## Kargo Roller



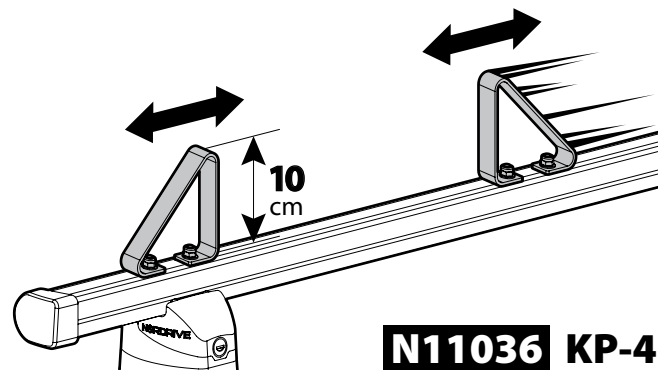
**N11030 KP-0** | L = 64 cm

**N11034 KP-7** | L = 96 cm

## Load Stops

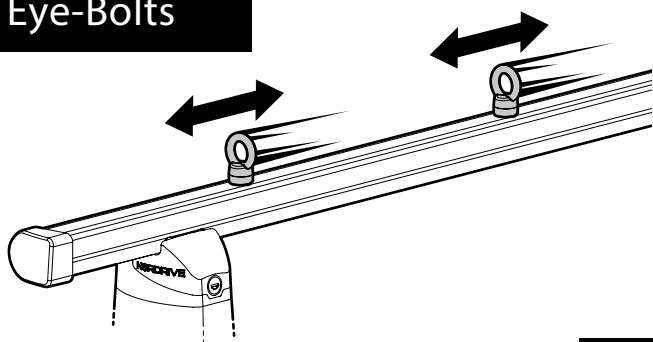


**N11031 KP-1**

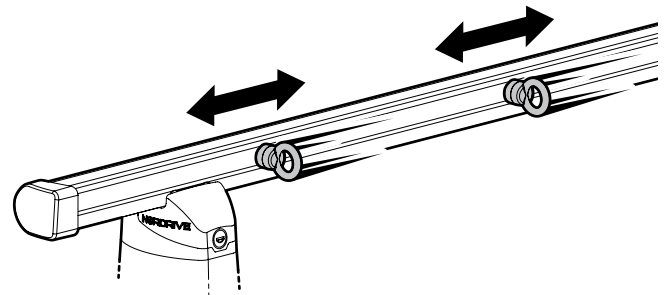


**N11036 KP-4**

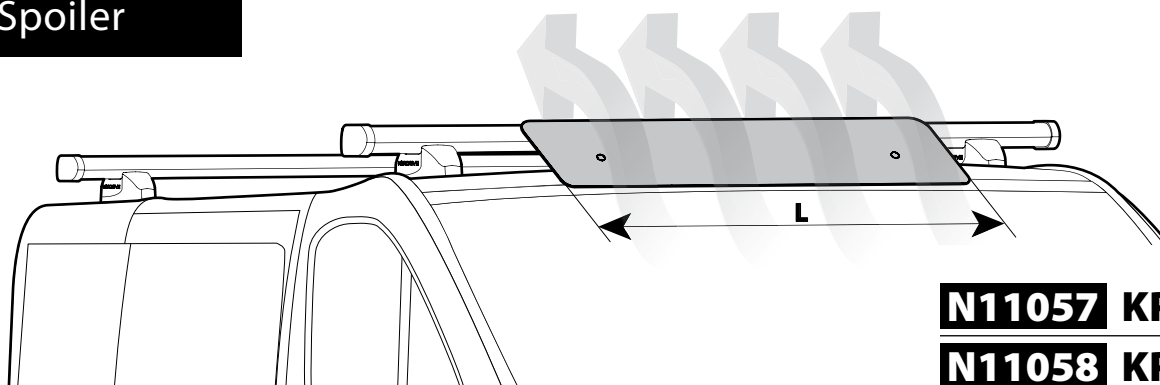
## Eye-Bolts



**N11033 KP-3**



## Spoiler



**N11057 KP-9** | L = 95 cm

**N11058 KP-11** | L = 110 cm

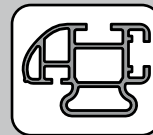
**OPTIONALS** PER / FOR / FÜR:

**Kargo** series



Acciaio / Steel

**Kargo-Plus**  
series



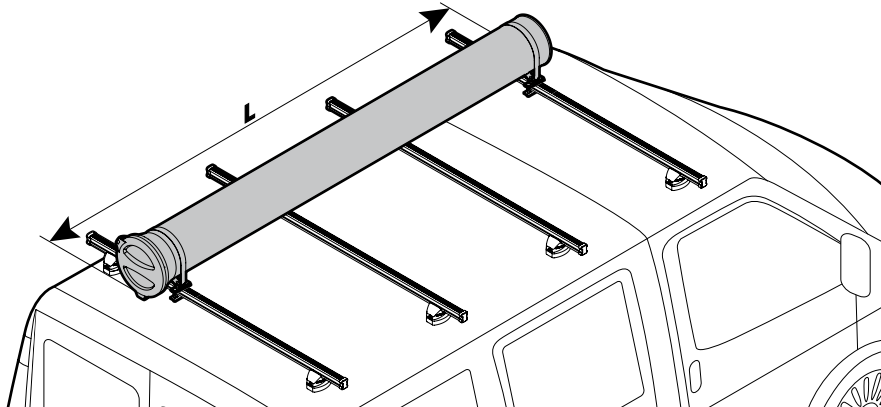
Alluminio / Aluminium

### Kargo Tube

**N11050 T200** | L = 205 cm

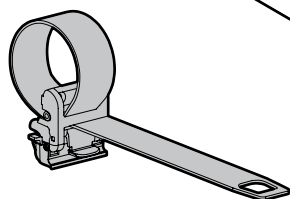
**N11051 T300** | L = 305 cm

**N11052 T400** | L = 405 cm

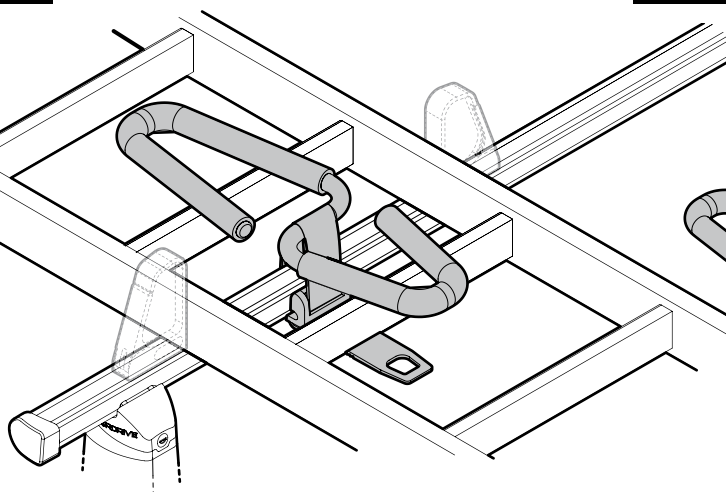


### Ladder Holder Straps

### Ladder Step Adapter



**N11065 U-5**

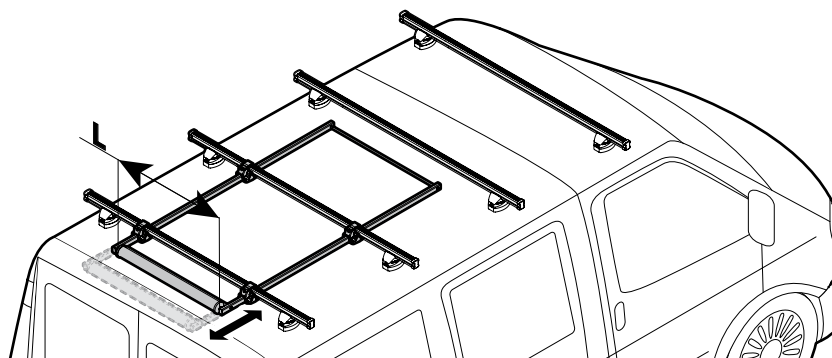


**N11067 U-6**

### Extension Roller

**N11020 U-0** | L = 64 cm

**N11021 U-7** | L = 96 cm



- I** Lotto di produzione da comunicare per eventuali ricambi
- GB** Production lot number to be communicated for any spare parts
- F** Lot de production à communiquer pour toute pièce de rechange
- D** Produktionscharge für eventuelle Ersatzteile
- E** Lote de producción a comunicar por cualquier repuesto

**Lot.**

**NORDRIVE®**  
TRANSPORT SOLUTIONS

NORDRIVE® is a registered trademark of  
**LAMPA S.p.A.**  
Via G. Rossa 53/55, 46019 Viadana (MN) ITALY  
Tel. +39 0375 820700  
UNI EN ISO 9001:2008 Certified Company  
[www.nordrive.it](http://www.nordrive.it)  
[www.lampa.it](http://www.lampa.it)