

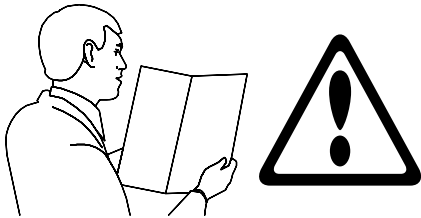
Art. **N30384**

KIT x8

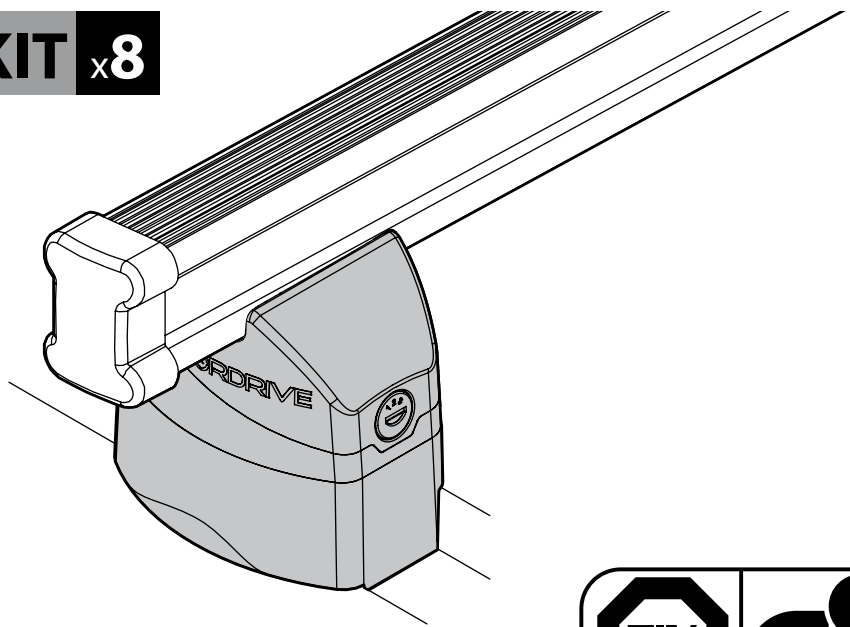
MERCEDES SPRINTER

2010
06/18➔

COMPACT		
	<input checked="" type="checkbox"/> H = 2365mm	<input checked="" type="checkbox"/> H = 2642mm
STANDARD		
	<input checked="" type="checkbox"/> H = 2351mm	<input checked="" type="checkbox"/> H = 2638mm
LONG		
	<input checked="" type="checkbox"/> H = 2616mm	<input type="checkbox"/> H = 2831mm
EXTRALONG		
	<input checked="" type="checkbox"/> H = 2613mm	<input type="checkbox"/> H = 2825mm



- ISTRUZIONI DI MONTAGGIO
- FITTING INSTRUCTIONS
- MONTAGEANLEITUNG
- INSTRUCTIONS DE MONTAGE
- INSTRUCCIONES DE MONTAJE
- INSTRUÇÕES DE MONTAGEM
- MONTAGE-INSTRUCTIES
- MONTERINGSANVISNING
- ASENNUSOHJE
- PAIGALDUSJUHEND
- STIPRINĀŠANAS INSTRUKCIJA
- PRITVIRTINIMO INSTRUKCIJOS
- INSTRUKCJA MONTAŻU
- Инструкции по установке
- NÁVOD NA MONTÁŽ
- NÁVOD NA MONTÁŽ
- NAVODILA ZA PRITRJEVANJE
- UPUTA ZA SASTAVLJANJE
- A FELSZERELÉS MÓDJA
- Οδηγίες συναρμολόγησης
- MONTAJ TALIMATLARLARI
- ИНСТРУКЦИИ ЗА МОНТАЖ
- UPUTSTVA ZA MONTAŽU



- ADATTO PER
- SUITABLE FOR
- INDIQUÉ POUR
- GEEIGNET FÜR
- ADECUADA PARA

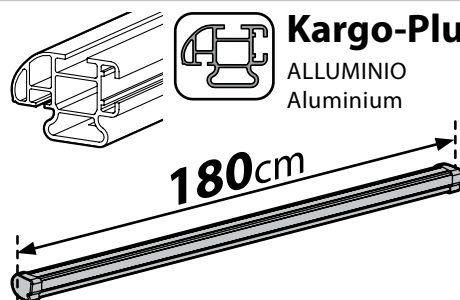
**NORDRIVE
KARGO SERIES**



Kargo
ACCIAIO
Steel

- BARRE KARGO
- KARGO BARS
- BARRES KARGO
- DACH-LASTENTRÄGER KARGO
- BARRES KARGO

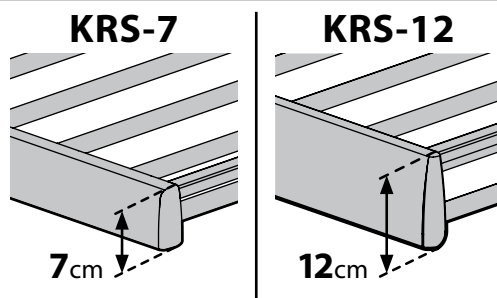
Art. **N10015 x4**



Kargo-Plus
ALLUMINIO
Aluminium

- BARRE KARGO-PLUS
- KARGO-PLUS BARS
- BARRES KARGO-PLUS
- DACH-LASTENTRÄGER KARGO-PLUS
- BARRES KARGO-PLUS

Art. **N10045 x4**

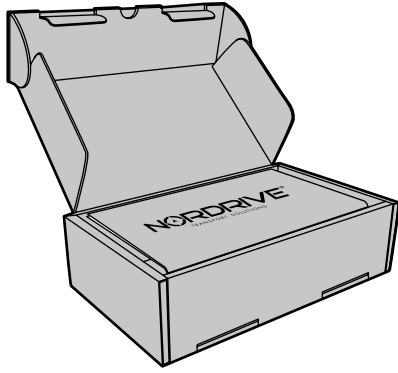


KRS-7

KRS-12

- CESTE PORTATUTTO KRS-7 / KRS-12
- KRS-7 / KRS-12 VAN ROOF RACKS
- GALERIE KRS-7 / KRS-12
- DACHKÖRBEIN KRS-7 / KRS-12
- BACAS KRS-7 / KRS-12

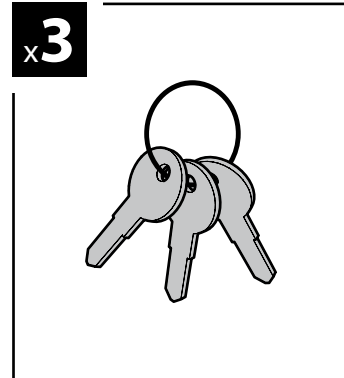
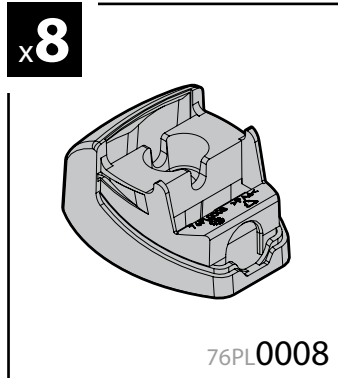
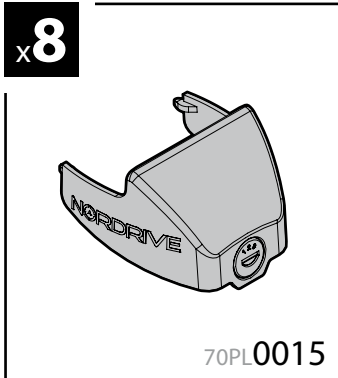
NORDRIVE®
TRANSPORT SOLUTIONS



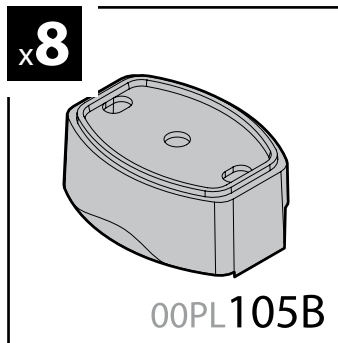
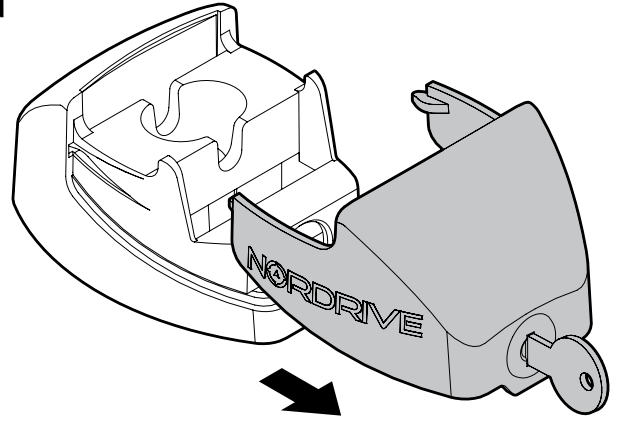
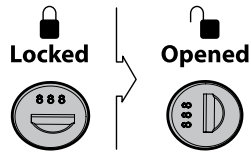
NORDDRIVE®

TRANSPORT SOLUTIONS

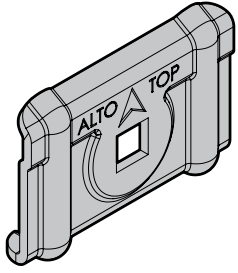
Art. **N30384**



1 x Year

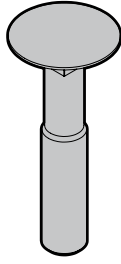


x 16



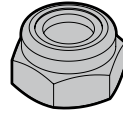
40FE001

x 8



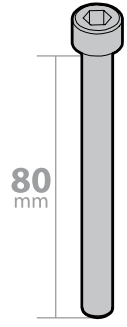
60BQ8045

x 16



62BB0800

x 8



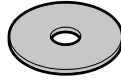
M8x80
60CE8080

x 16



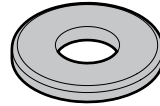
61ED0815

x 8



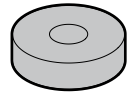
61FL0824

x 16



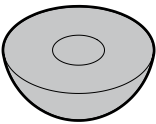
ø8 - ø16
61FN0816

x 8



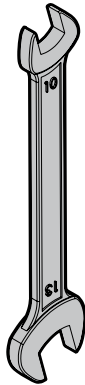
80GO028B

x 8



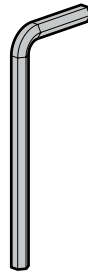
60RC003

x 1

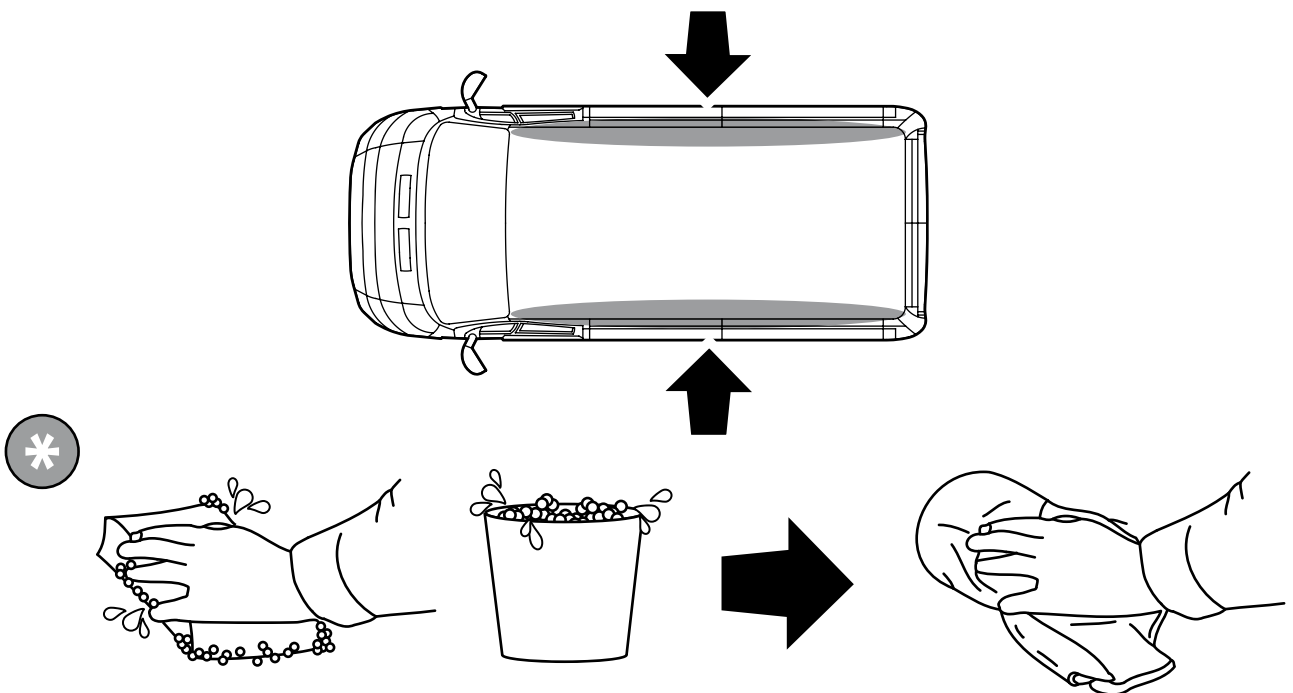
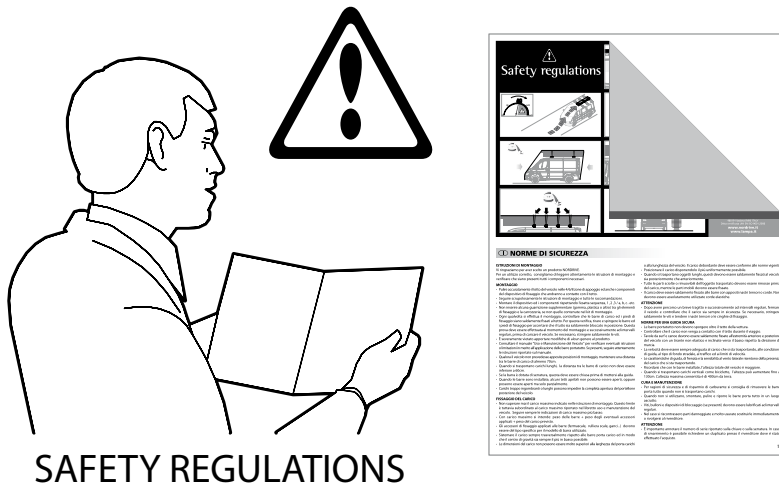
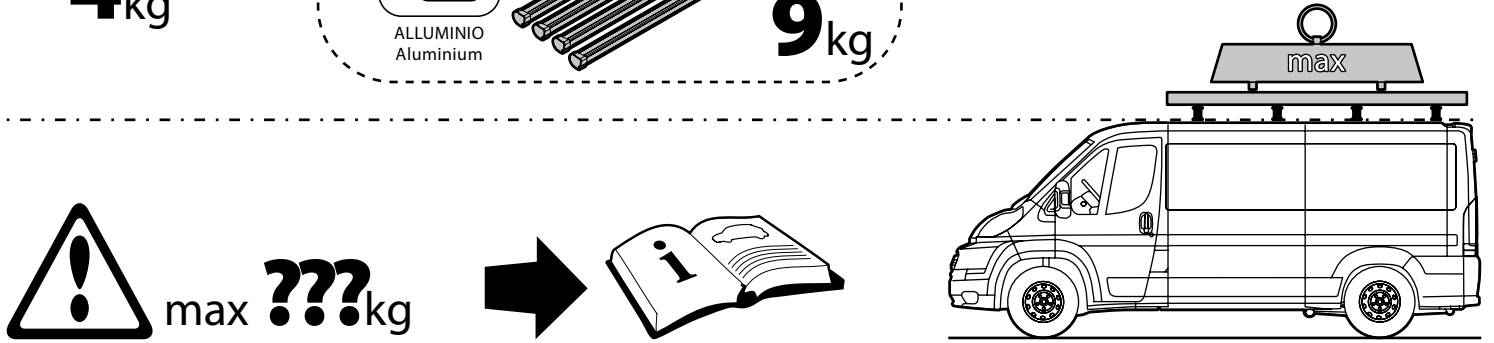
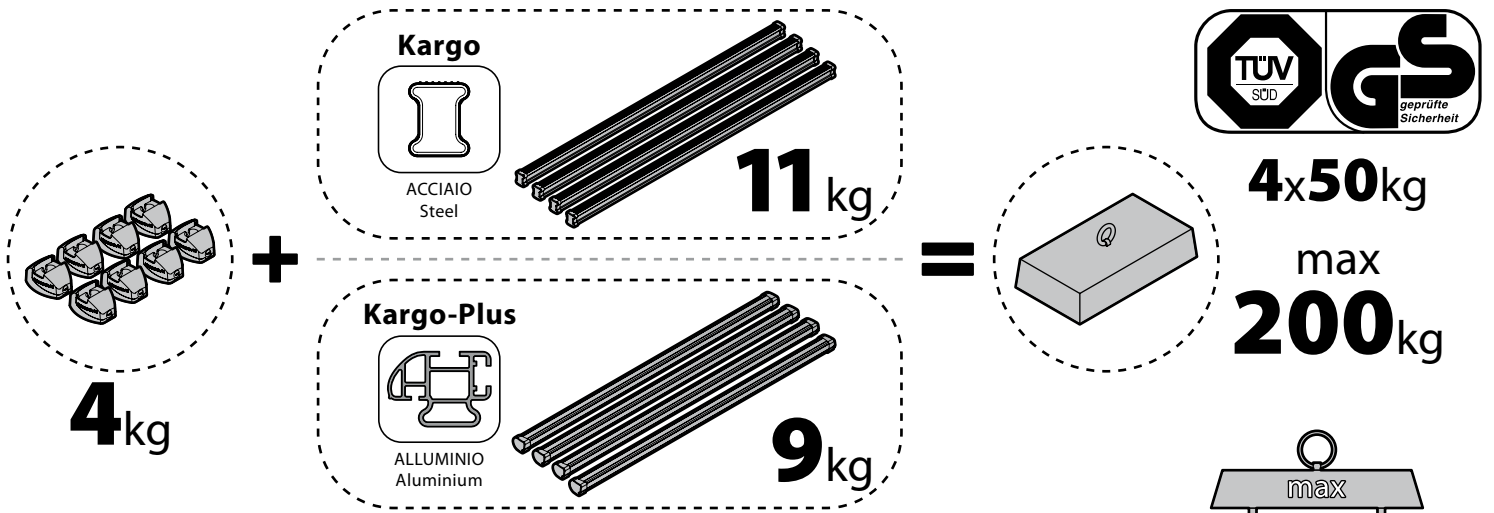


72FE0001

x 1



72FE0003

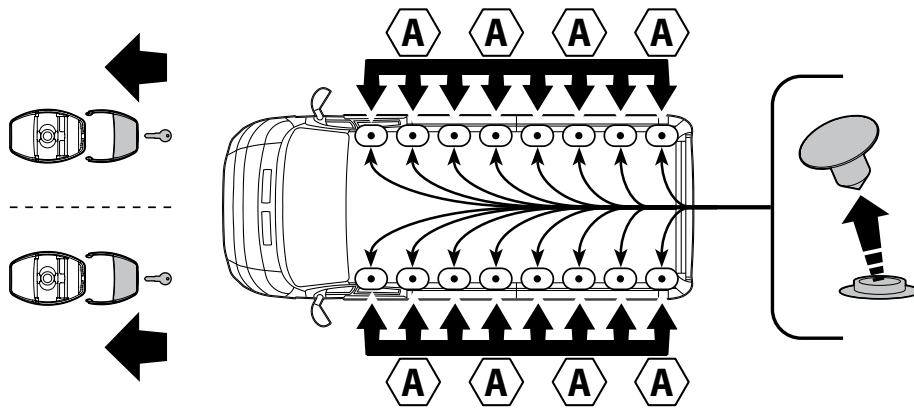


(I) ISTRUZIONI DI MONTAGGIO
 (GB) FITTING INSTRUCTIONS
 (D) MONTAGEANLEITUNG
 (F) INSTRUCTIONS DE MONTAGE
 (E) INSTRUCCIONES DE MONTAJE
 (P) INSTRUÇÕES DE MONTAGEM
 (NL) MONTAGE-INSTRUCTIES
 (S) MONTERINGSANVISNING

(FIN) ASENNUSOHJE
 (EST) PAIGALDUSJUHEND
 (LAT) STIPRINĀŠANAS INSTRUKCIJA
 (LT) PRITVIRTINIMO INSTRUKCIJOS
 (PL) INSTRUKCJA MONTAŻU
 (RUS) Инструкции по установке
 (CZ) NÁVOD NA MONTÁŽ
 (SK) NÁVOD NA MONTÁŽ

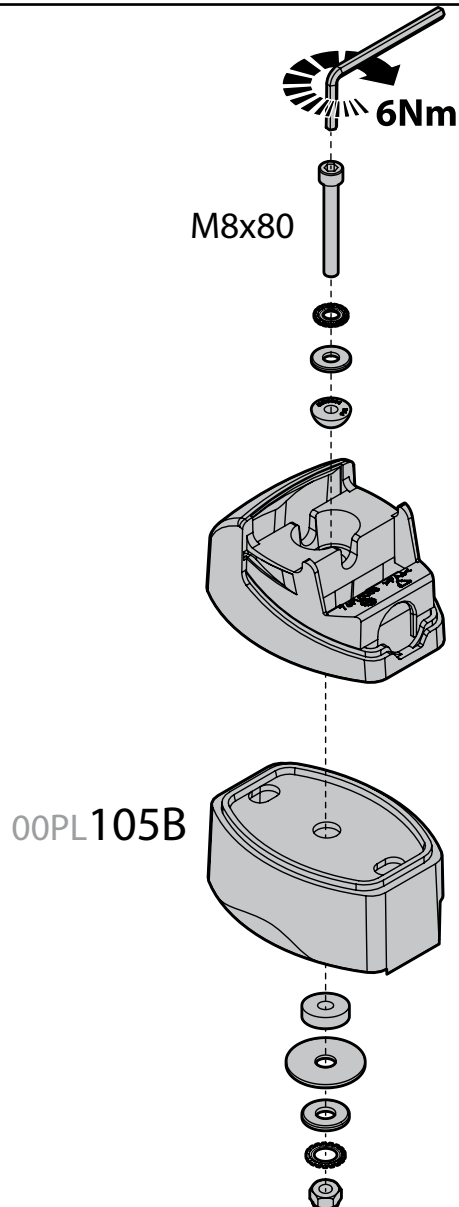
(SLO) NAVODILA ZA PRITRJEVANJE
 (HR) UPUTA ZA SASTAVLJANJE
 (H) A FELSZERELÉS MÓDJA
 (GR) Οδηγίες συναρμολόγησης
 (TR) MONTAJ TALIMATLARL
 (BG) ИНСТРУКЦИИ ЗА МОНТАЖ
 (SRB) UPUTSTVA ZA MONTAŽU

1

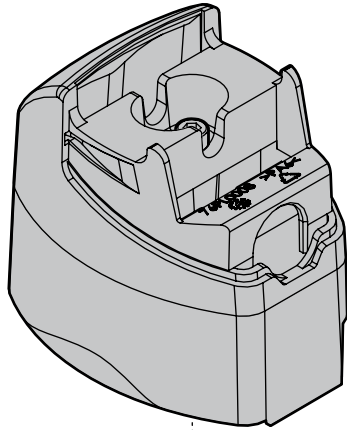
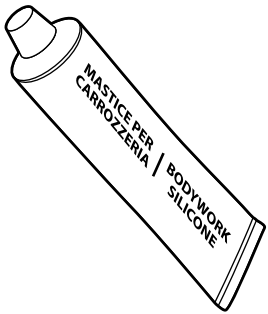
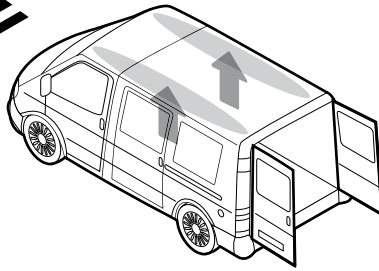


2

A

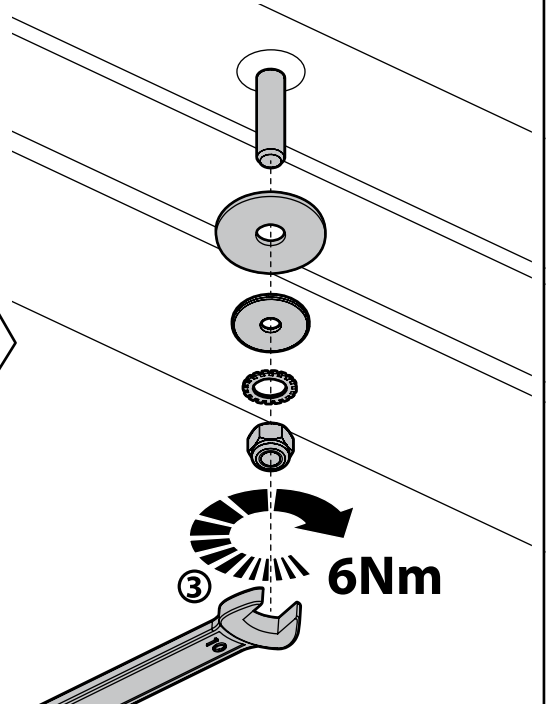
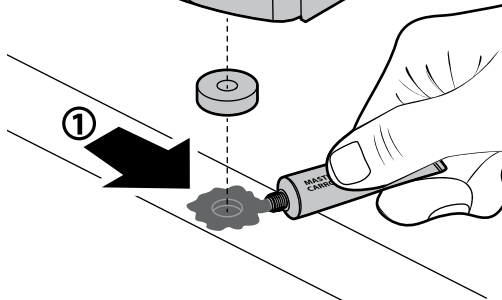


3



2

1



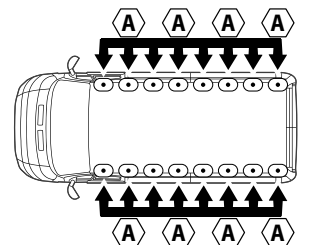
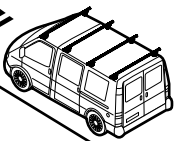
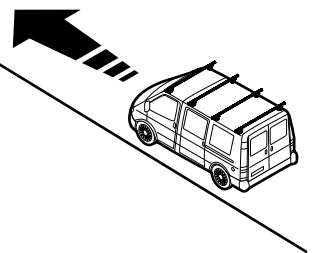
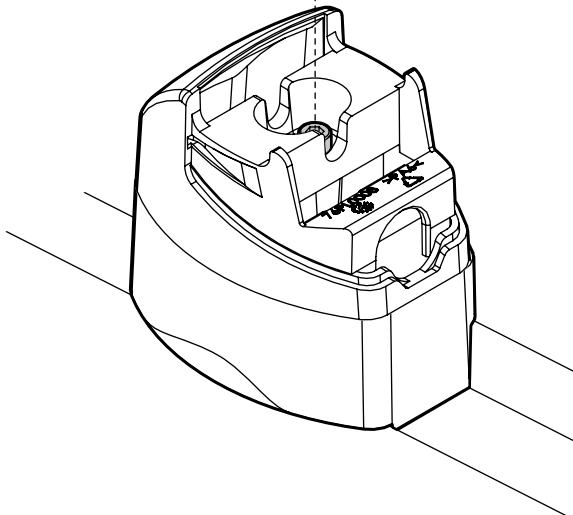
3

6Nm

4



6Nm



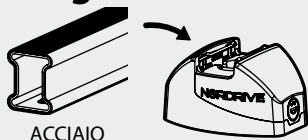


ATTENZIONE WARNING



Kargo

A

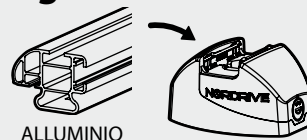


ACCIAIO
Steel

MONTAGGIO DIRETTO
SUI KIT PIEDI SPECIFICI
DIRECTLY ON FOOT KITS
BEFESTIGUNGSFÜSSE

Kargo-Plus

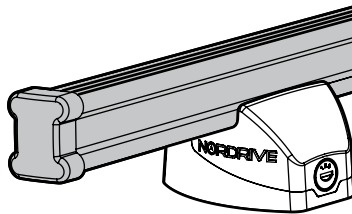
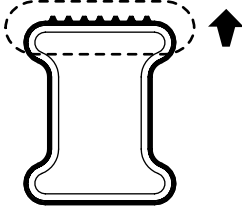
B



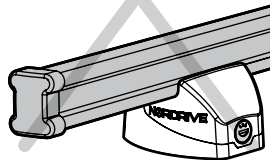
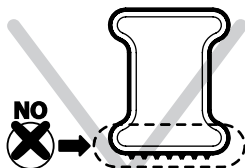
ALLUMINIO
Aluminium

MONTAGGIO DIRETTO
SUI KIT PIEDI SPECIFICI
DIRECTLY ON FOOT KITS
BEFESTIGUNGSFÜSSE

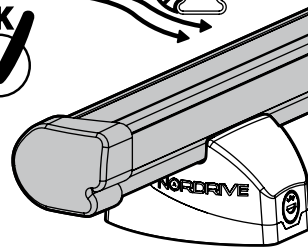
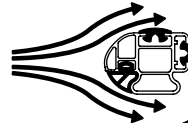
OK ✓



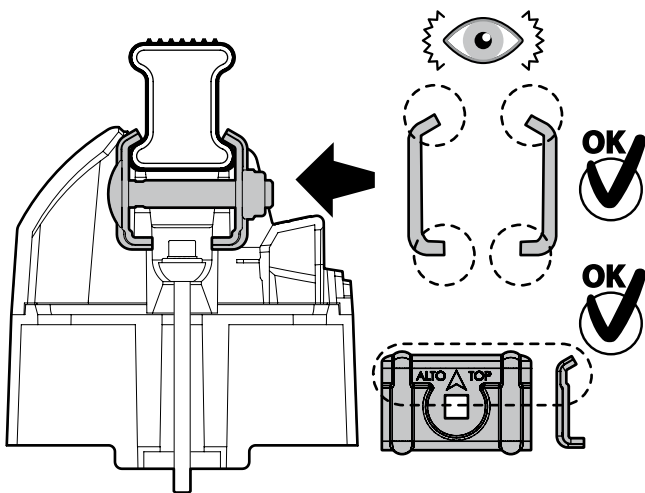
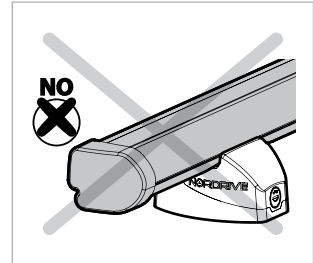
NO ✗



OK ✓

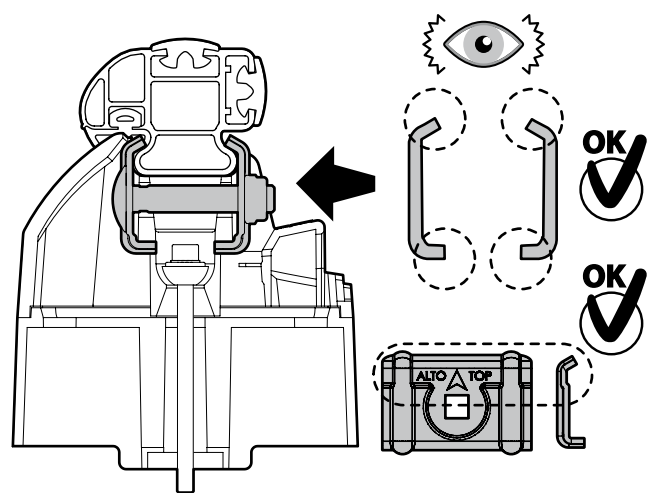


NO ✗



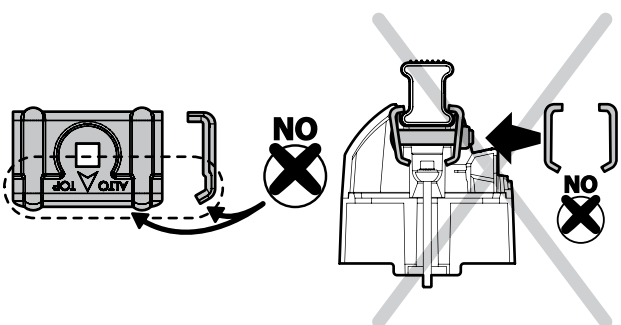
OK ✓

OK ✓



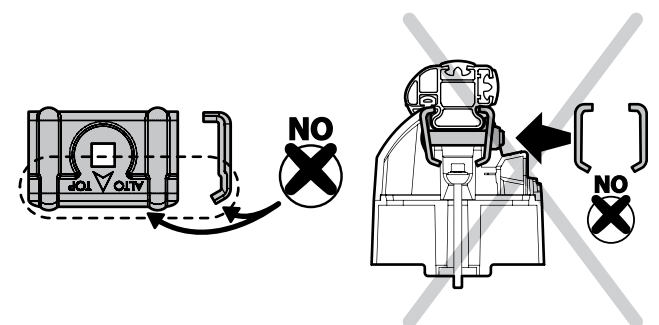
OK ✓

OK ✓



NO ✗

NO ✗



NO ✗

NO ✗

5

A Kargo

ACCIAIO Steel

Diagram A illustrates the installation of the Kargo steel bar. It shows a cross-section of the bar and a top-down view of the bar being placed onto a vehicle's roof rails. Step 1 shows the bar being lowered onto the rails, and step 2 shows the bar being secured with nuts and washers.

B Kargo-Plus

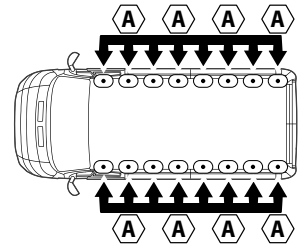
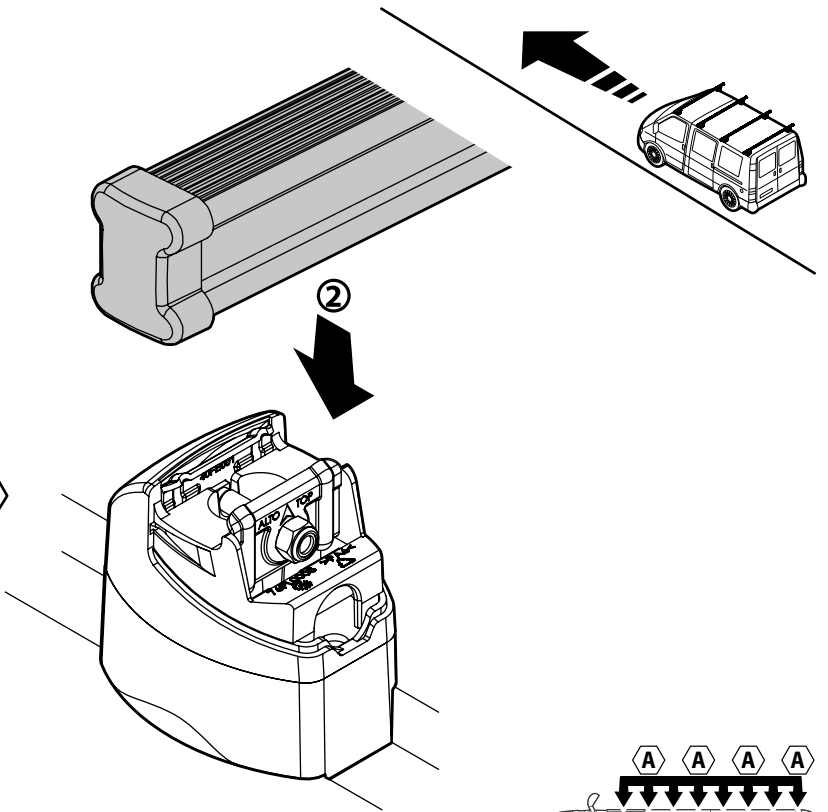
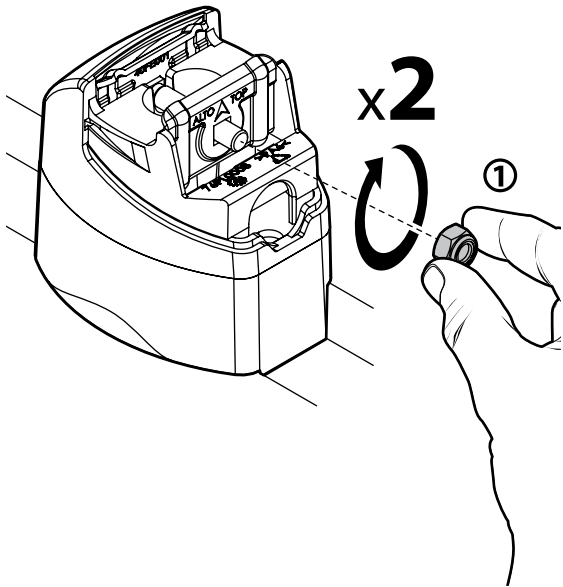
ALLUMINIO Aluminium

Diagram B illustrates the installation of the Kargo-Plus aluminium bar. It shows a cross-section of the bar and a top-down view of the bar being placed onto a vehicle's roof rails. Step 1 shows the bar being lowered onto the rails, and step 2 shows the bar being secured with nuts and washers. Step 3 shows the bar being secured with a locking mechanism.

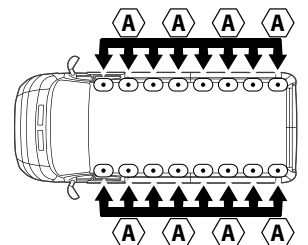
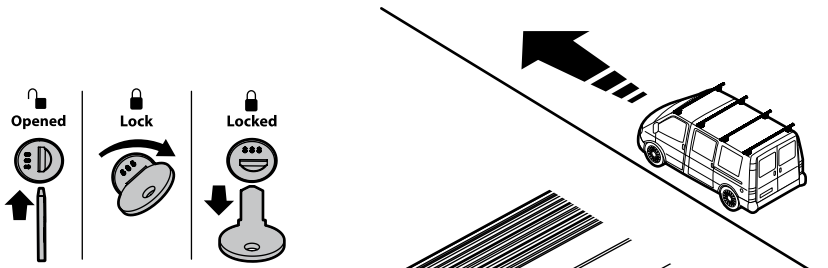
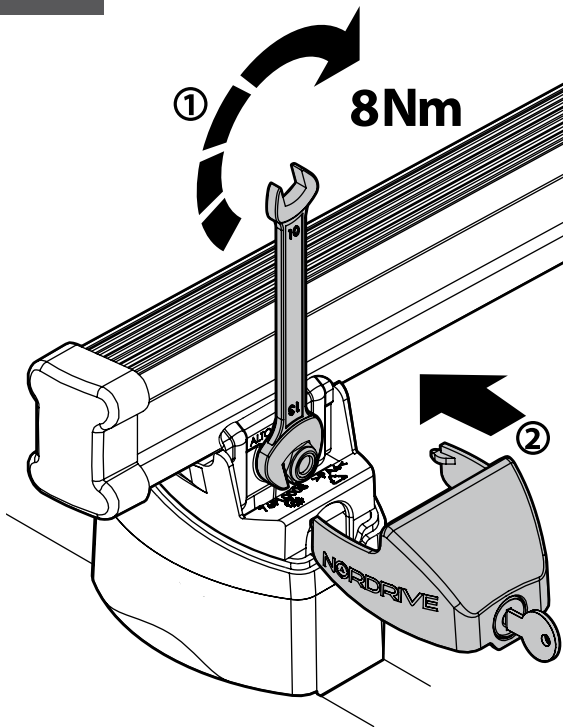
6

Diagram 6 illustrates the assembly of the Kargo rack. It shows a bolt being inserted into a bracket, a bracket being attached to a rack, and a rack being attached to a vehicle's roof rails. Step 1 shows the bolt being inserted into the bracket. Step 2 shows the bracket being attached to the rack. Step 3 shows the rack being attached to the vehicle's roof rails. An inset diagram shows the rack being attached to the vehicle's roof rails.

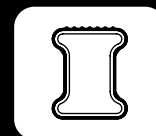
7



8

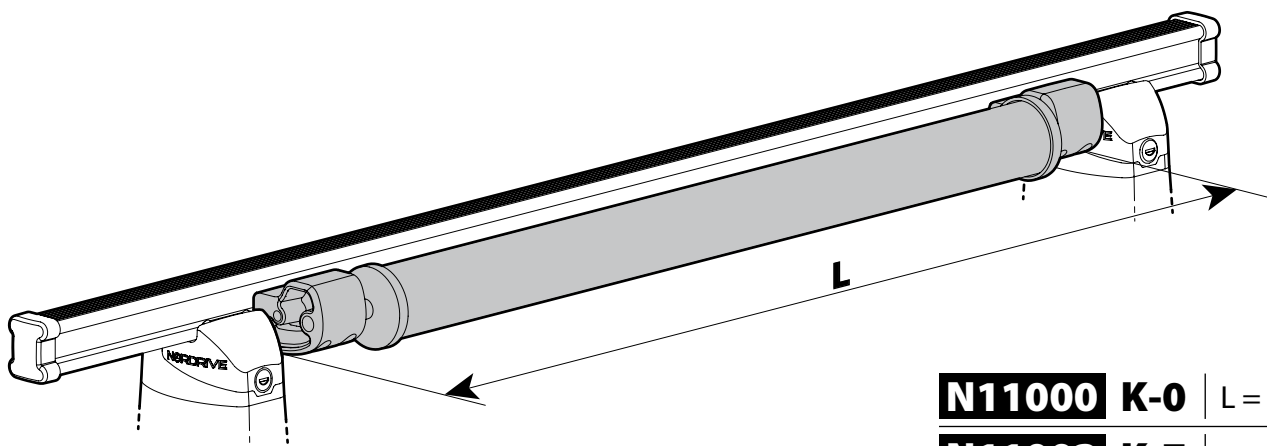


Kargo series



Acciaio / Steel

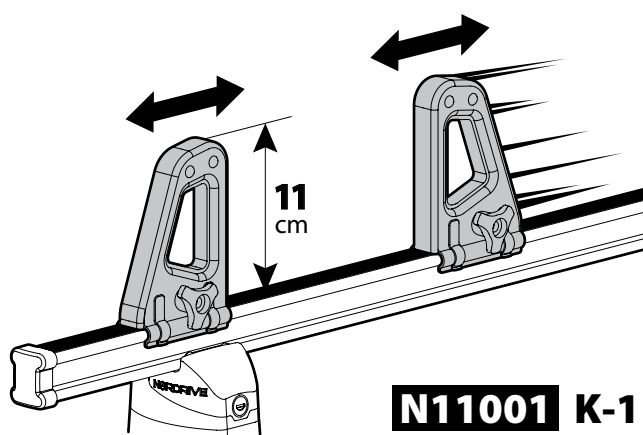
Kargo Roller



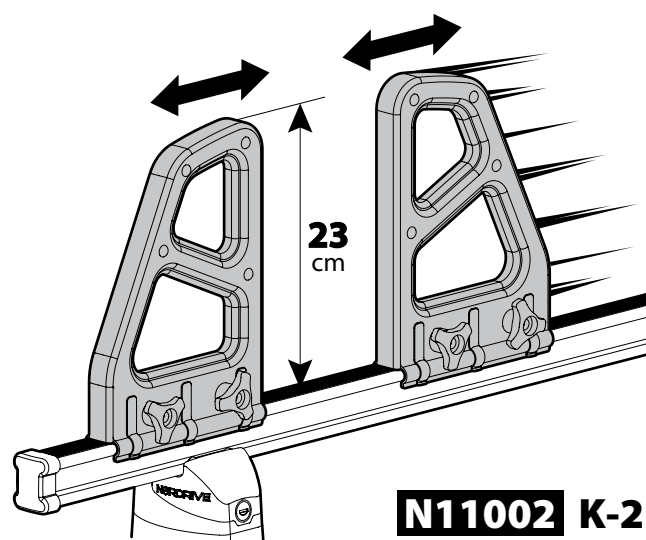
N11000 K-0 | L = 64 cm

N11003 K-7 | L = 96 cm

Load Stops

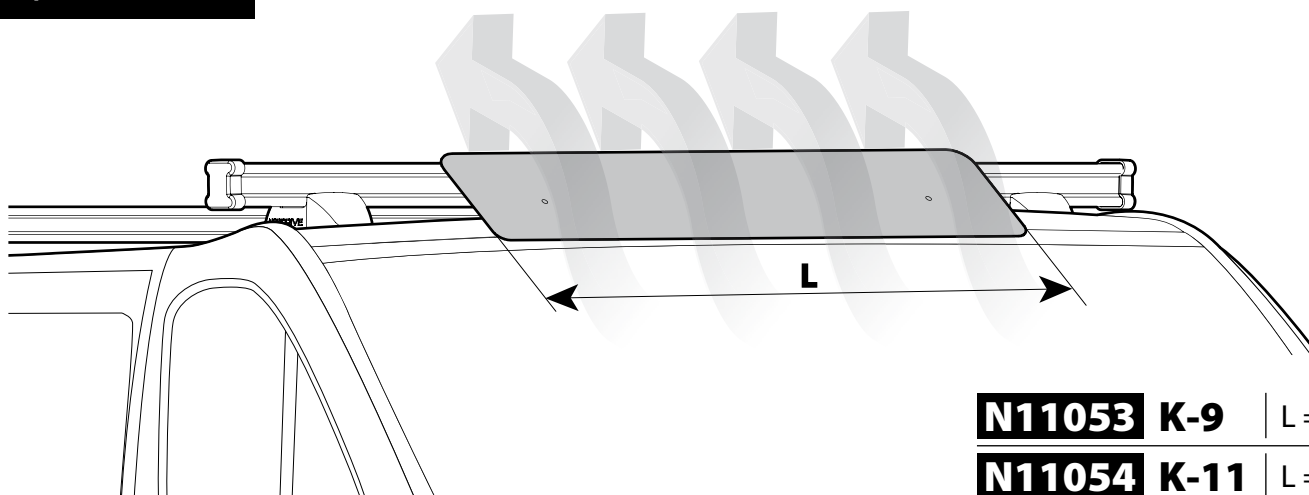


N11001 K-1



N11002 K-2

Spoiler

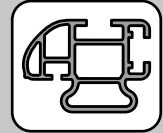


N11053 K-9 | L = 95 cm

N11054 K-11 | L = 110 cm

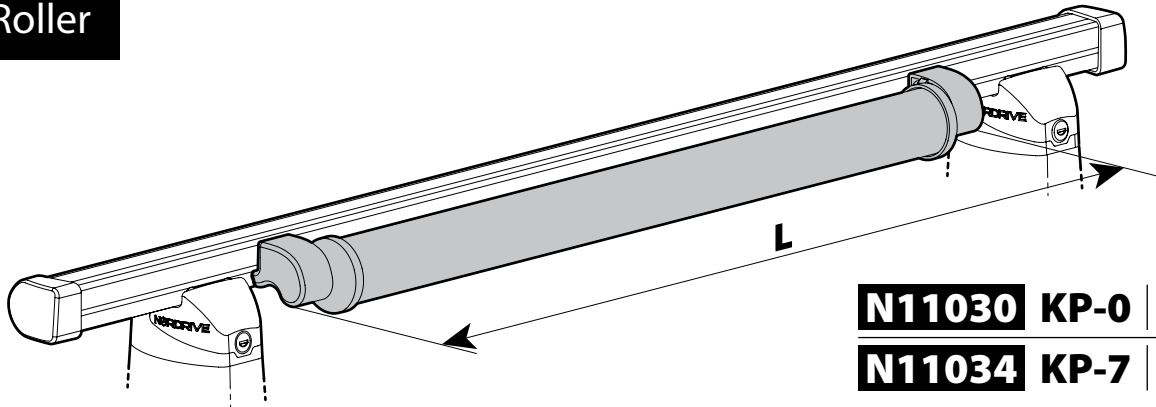
OPTIONALS PER / FOR / FÜR:

Kargo-Plus series



Alluminio / Aluminium

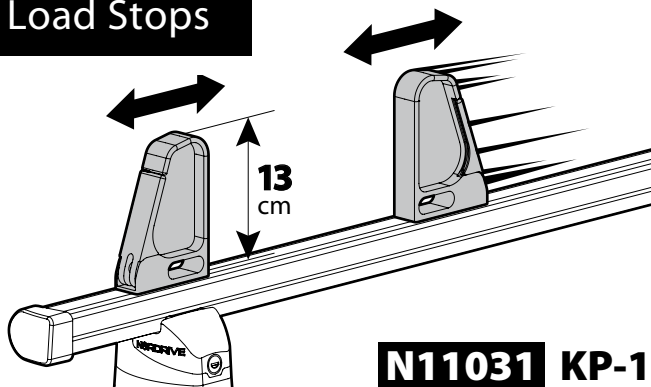
Kargo Roller



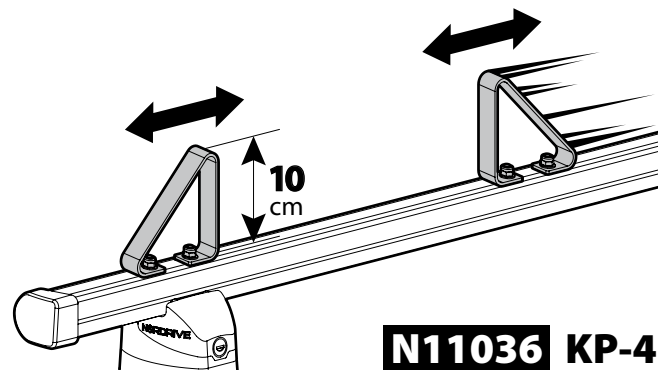
N11030 KP-0 | L = 64 cm

N11034 KP-7 | L = 96 cm

Load Stops

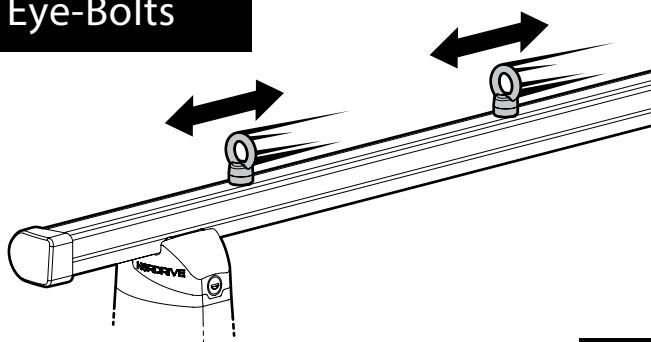


N11031 KP-1

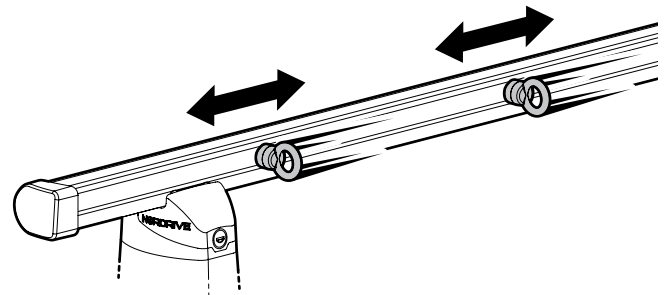


N11036 KP-4

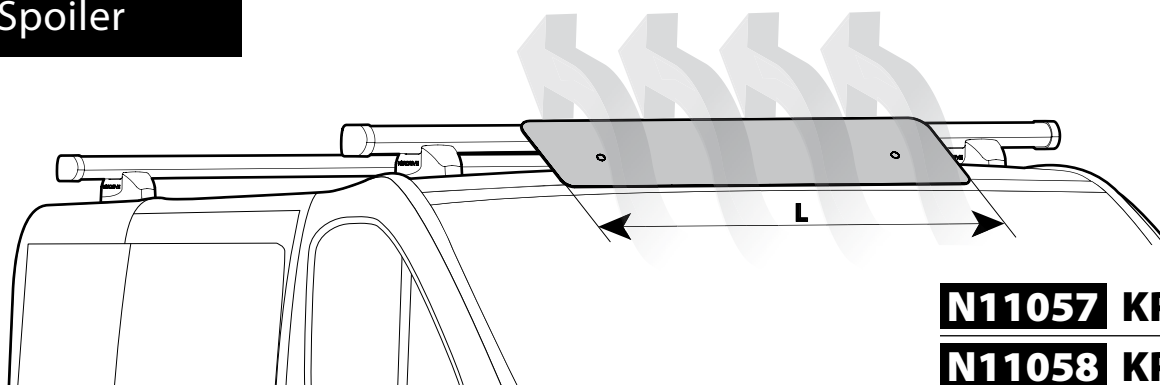
Eye-Bolts



N11033 KP-3



Spoiler



N11057 KP-9 | L = 95 cm

N11058 KP-11 | L = 110 cm

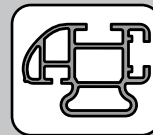
OPTIONALS PER / FOR / FÜR:

Kargo series



Acciaio / Steel

Kargo-Plus
series



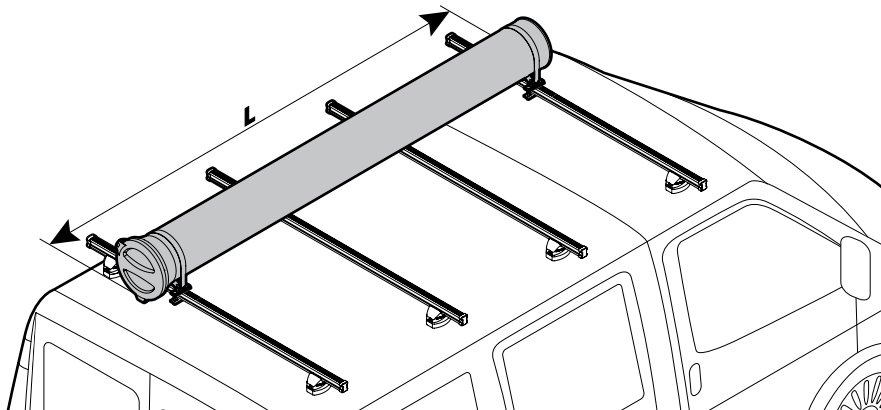
Alluminio / Aluminium

Kargo Tube

N11050 T200 | L = 205 cm

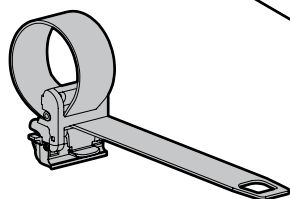
N11051 T300 | L = 305 cm

N11052 T400 | L = 405 cm

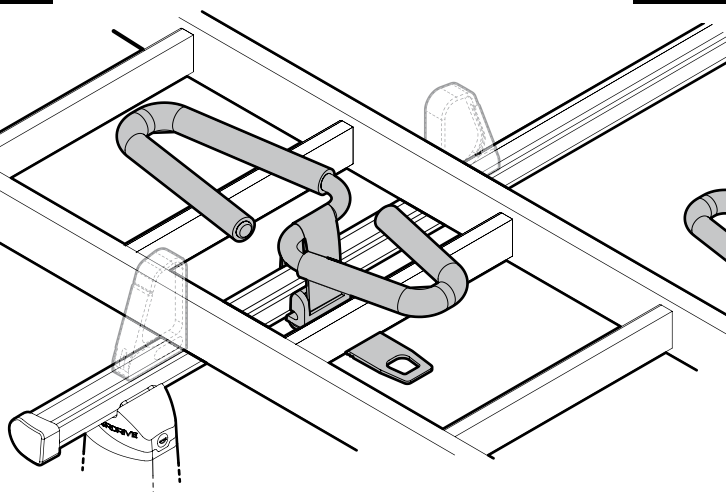


Ladder Holder Straps

Ladder Step Adapter



N11065 U-5

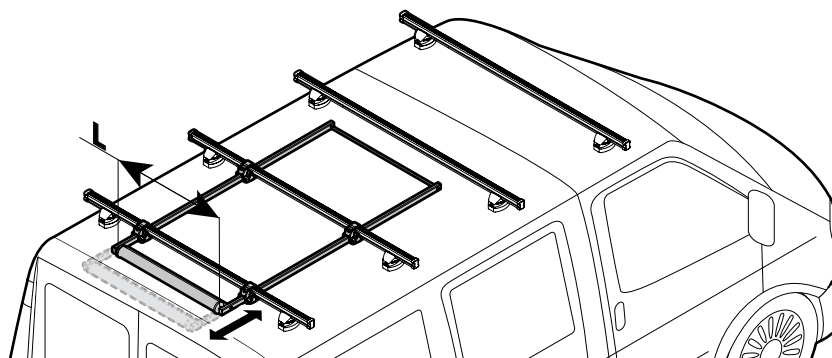


N11067 U-6

Extension Roller

N11020 U-0 | L = 64 cm

N11021 U-7 | L = 96 cm



- I** Lotto di produzione da comunicare per eventuali ricambi
- GB** Production lot number to be communicated for any spare parts
- F** Lot de production à communiquer pour toute pièce de rechange
- D** Produktionscharge für eventuelle Ersatzteile
- E** Lote de producción a comunicar por cualquier repuesto

Lot.

NORDRIVE®
TRANSPORT SOLUTIONS

NORDRIVE® is a registered trademark of
LAMPA S.p.A.
Via G. Rossa 53/55, 46019 Viadana (MN) ITALY
Tel. +39 0375 820700
UNI EN ISO 9001:2008 Certified Company
www.nordrive.it
www.lampa.it