

Art. **N30143**

## NISSAN PRIMASTAR

2000  
09/02 → 05/14

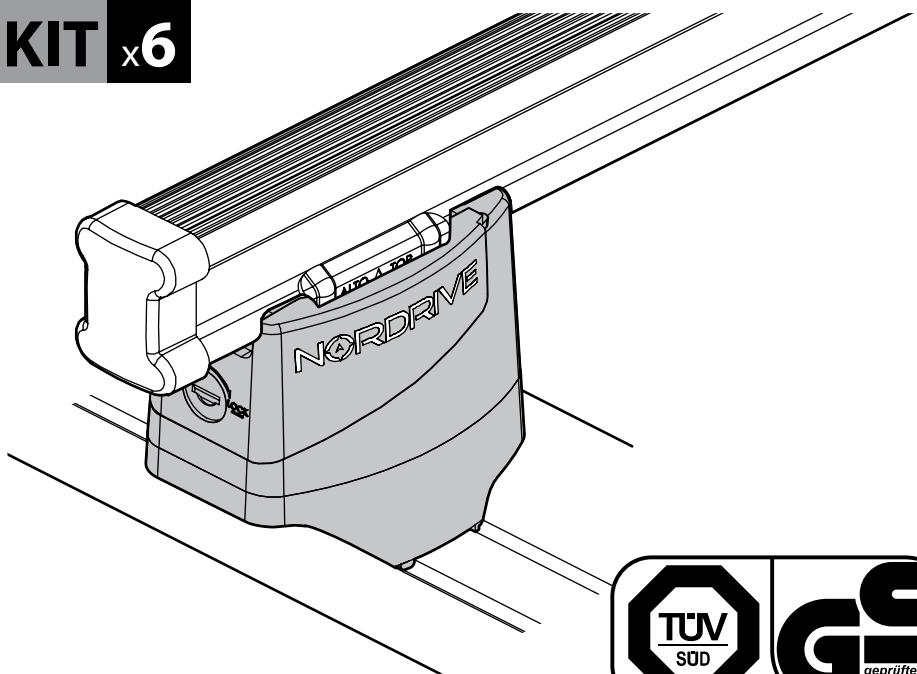
## OPEL VIVARO

2000  
08/01 → 12/13

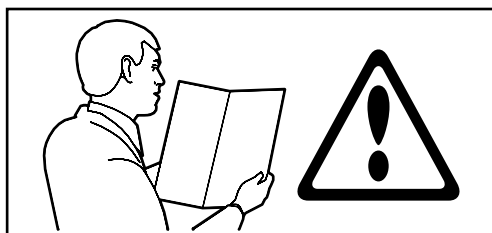
## RENAULT TRAFIC

2000  
03/01 → 05/14

**KIT x6**



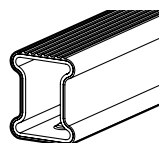
 <input checked="" type="checkbox"/> H = 1335mm L = 3098mm	 <input checked="" type="checkbox"/> H = 1335mm L = 3498mm
 <input type="checkbox"/> H = 1818mm L = 3098mm	 <input type="checkbox"/> H = 1818mm L = 3498mm



- ISTRUZIONI DI MONTAGGIO
- FITTING INSTRUCTIONS
- MONTAGEANLEITUNG
- INSTRUCTIONS DE MONTAGE
- INSTRUCCIONES DE MONTAJE
- INSTRUÇÕES DE MONTAGEM
- MONTAGE-INSTRUCTIES
- MONTERINGSANVISNING
- ASENNUSOHJE
- PAIGALDUSJUHEND
- STIPRINĀŠANAS INSTRUKCIJA
- PRITVIRTINIMO INSTRUKCIJOS
- INSTRUKCJA MONTAŻU
- Инструкции по установке
- NÁVOD NA MONTÁŽ
- NÁVOD NA MONTÁŽ
- NAVODILA ZA PRITRJEVANJE
- UPUTA ZA SASTAVLJANJE
- A FELSZERELÉS MÓDJA
- Οδηγίες συναρμολόγησης
- MONTAJ TALIMATLARL
- ИНСТРУКЦИИ ЗА МОНТАЖ
- UPUTSTVA ZA MONTAŽU

- ADATTO PER
- SUITABLE FOR
- INDIQUÉ POUR
- GEEIGNET FÜR
- ADECUADA PARA

## NORDRIVE KARGO SERIES

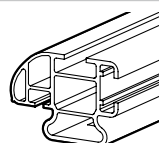


**Kargo**  
ACCIAIO  
Steel

- BARRE KARGO
- KARGO BARS
- BARRES KARGO
- DACH-LASTENTRÄGER KARGO
- BARRES KARGO

180cm

Art. **N10015** x3

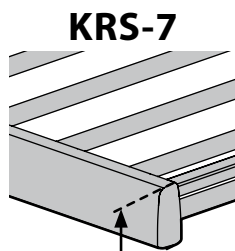


**Kargo-Plus**  
ALLUMINIO  
Aluminium

- BARRE KARGO-PLUS
- KARGO-PLUS BARS
- BARRES KARGO-PLUS
- DACH-LASTENTRÄGER KARGO-PLUS
- BARRES KARGO-PLUS

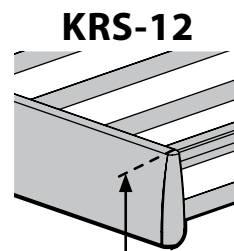
180cm

Art. **N10045** x3



**KRS-7**

7cm



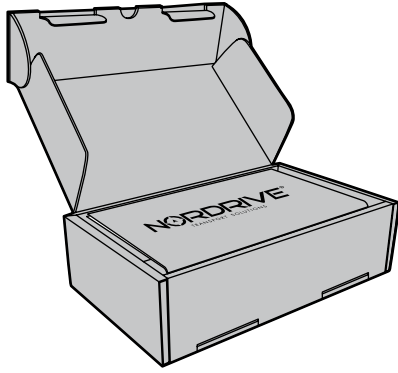
**KRS-12**

12cm

- CESTE PORTATUTTO KRS-7 / KRS-12
- KRS-7 / KRS-12 VAN ROOF RACKS
- GALERIE KRS-7 / KRS-12
- DACHKÖRBEIN KRS-7 / KRS-12
- BACAS KRS-7 / KRS-12

# NORDRIVE®

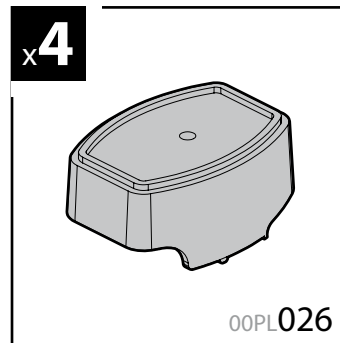
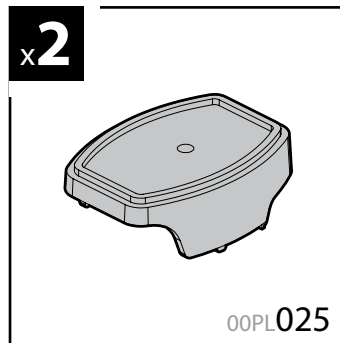
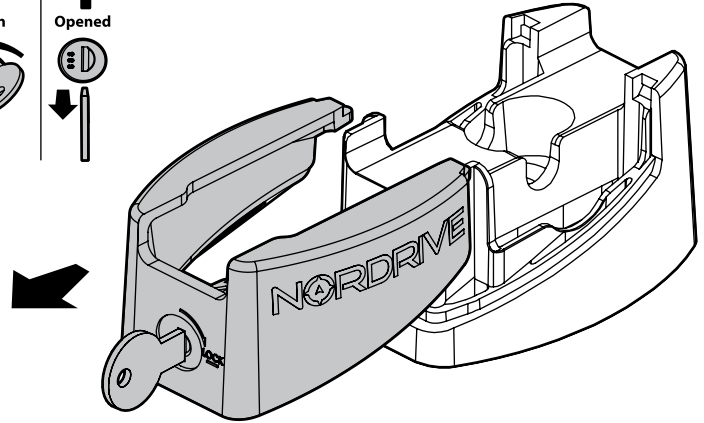
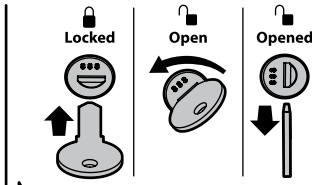
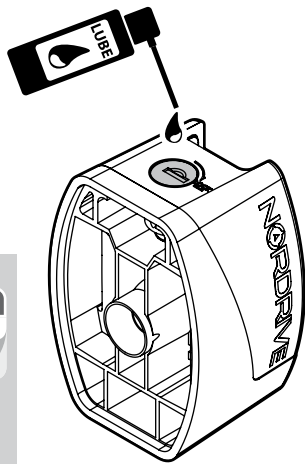
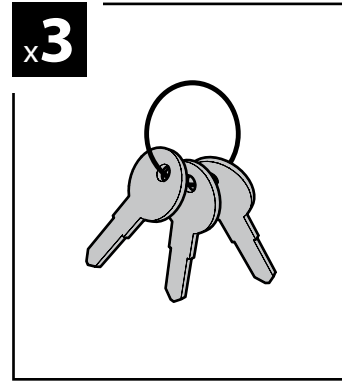
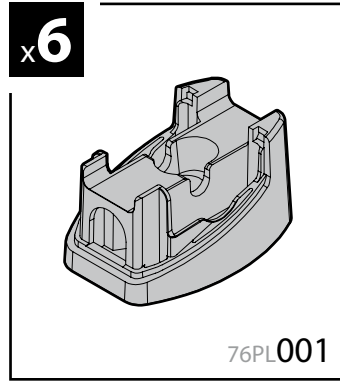
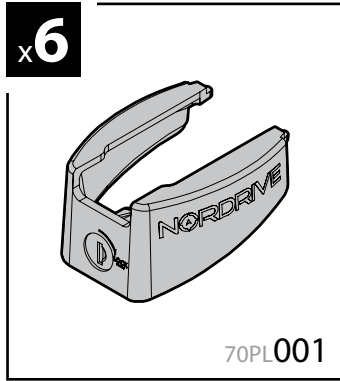
TRANSPORT SOLUTIONS

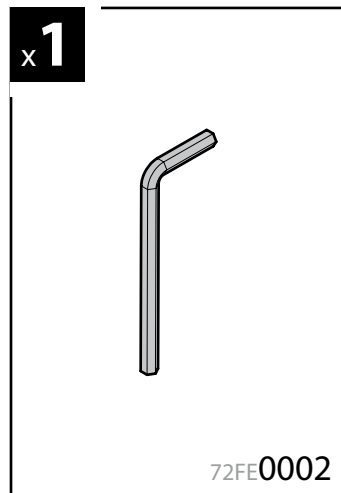
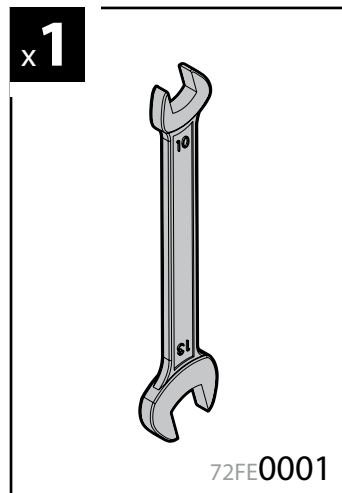
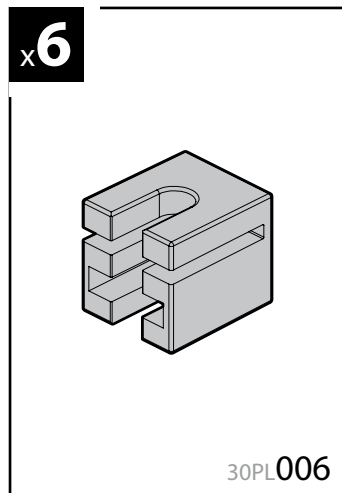
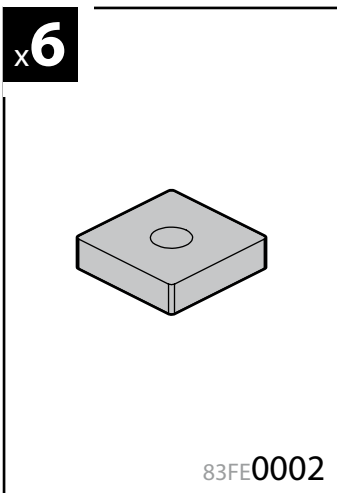
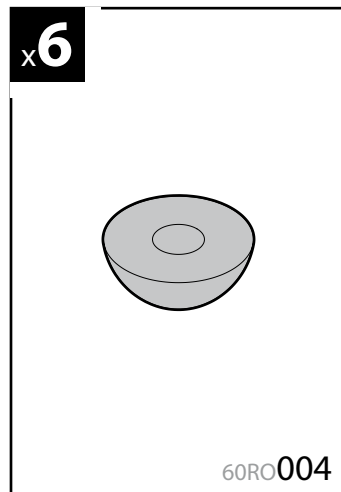
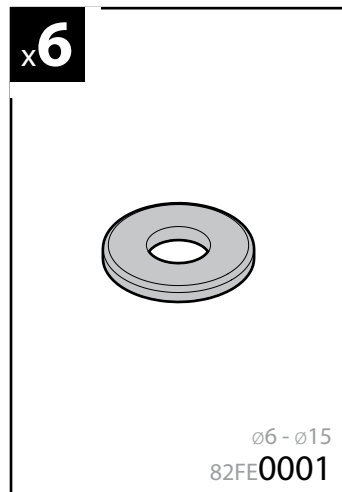
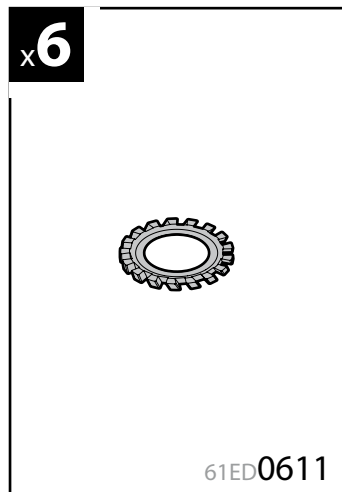
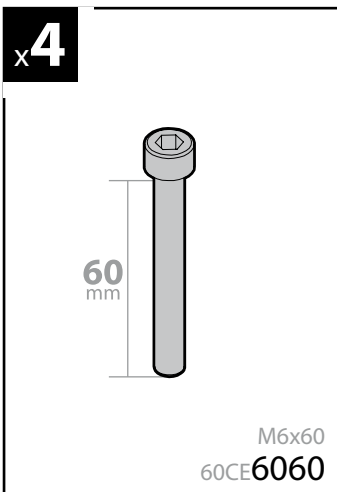
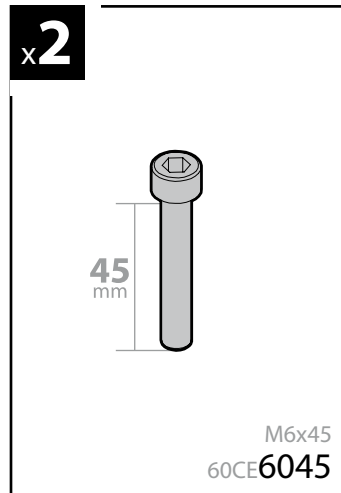
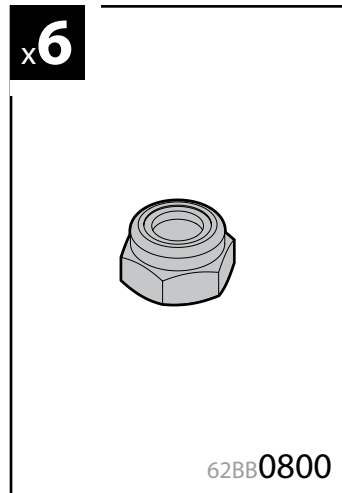
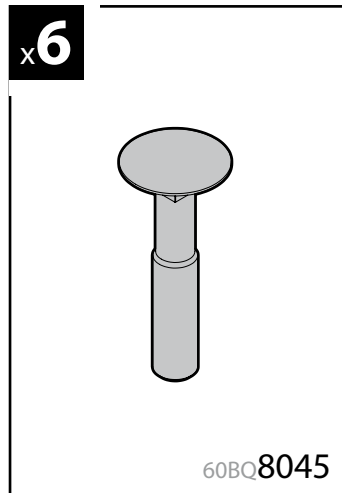
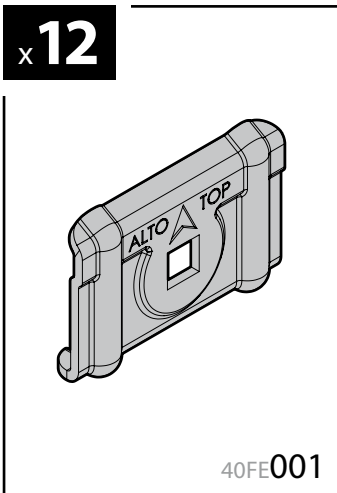


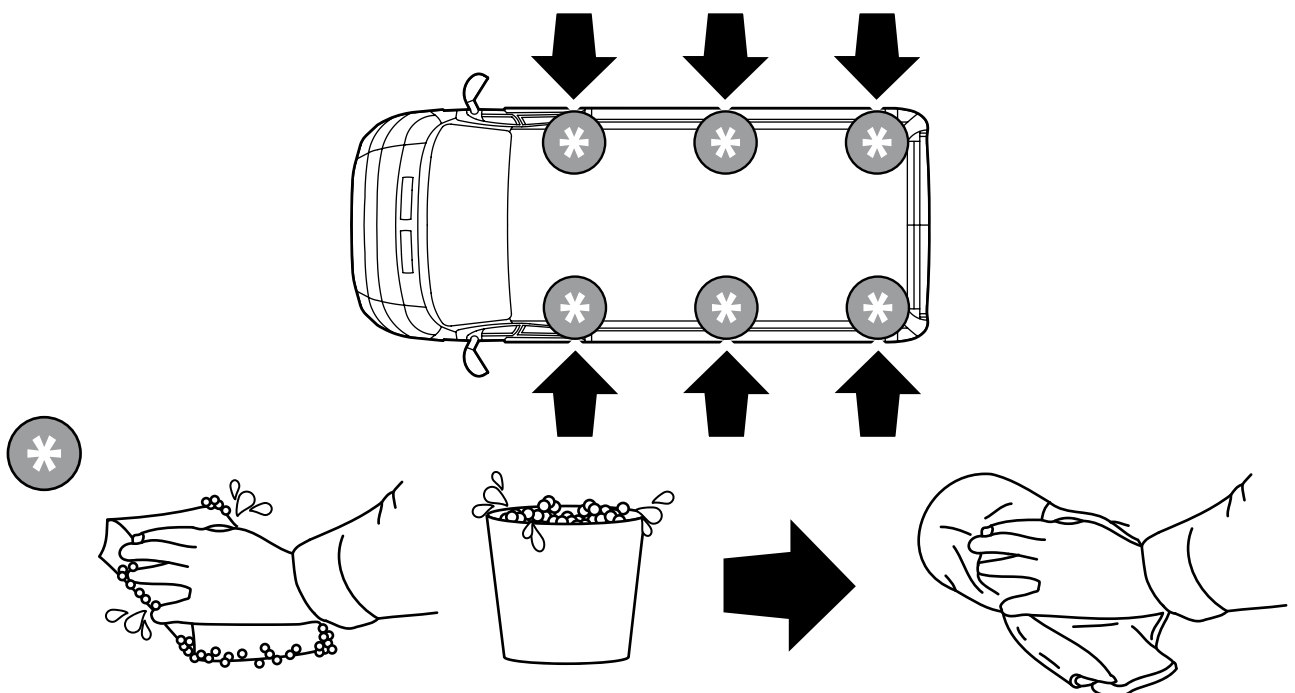
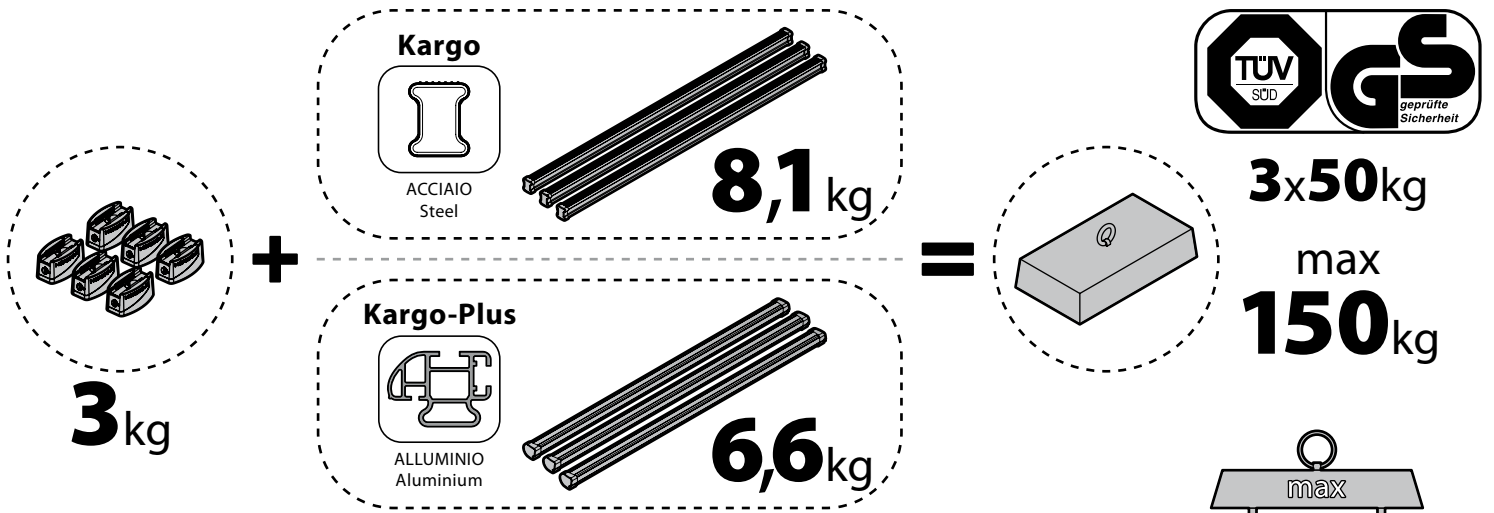
# NORDRIVE®

TRANSPORT SOLUTIONS

Art. **N30143**





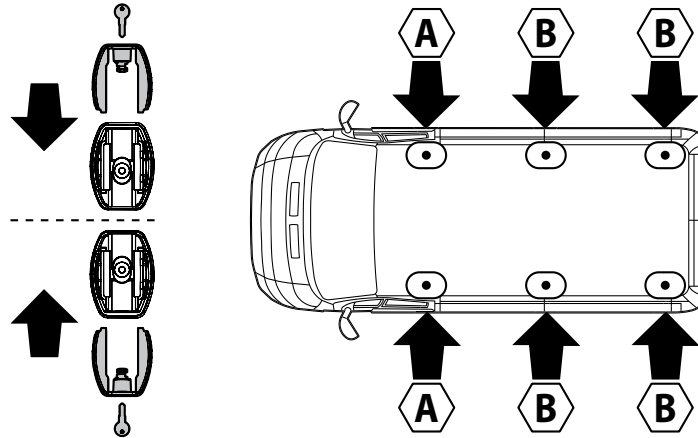


(I) ISTRUZIONI DI MONTAGGIO  
 (GB) FITTING INSTRUCTIONS  
 (D) MONTAGEANLEITUNG  
 (F) INSTRUCTIONS DE MONTAGE  
 (E) INSTRUCCIONES DE MONTAJE  
 (P) INSTRUÇÕES DE MONTAGEM  
 (NL) MONTAGE-INSTRUCTIES  
 (S) MONTERINGSANVISNING

(FIN) ASENNUSOHJE  
 (EST) PAIGALDUSJUHEND  
 (LAT) STIPRINĀŠANAS INSTRUKCIJA  
 (LT) PRITVIRTINIMO INSTRUKCIJOS  
 (PL) INSTRUKCJA MONTAŻU  
 (RUS) Инструкции по установке  
 (CZ) NÁVOD NA MONTÁŽ  
 (SK) NÁVOD NA MONTÁŽ

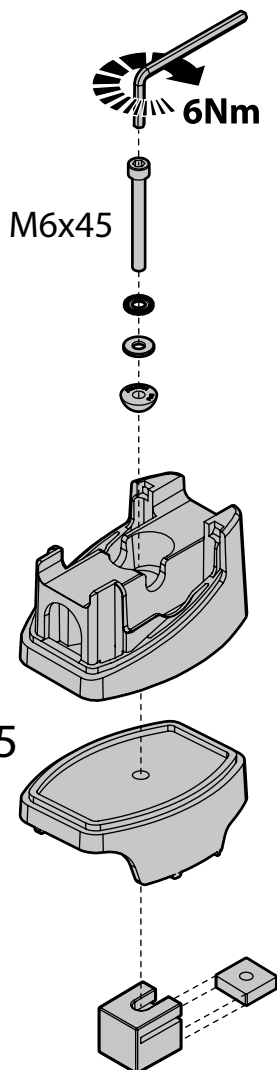
(SLO) NAVODILA ZA PRITRJEVANJE  
 (HR) UPUTA ZA SASTAVLJANJE  
 (H) A FELSZERELÉS MÓDJA  
 (GR) Οδηγίες συναρμολόγησης  
 (TR) MONTAJ TALIMATLARI  
 (BG) ИНСТРУКЦИИ ЗА МОНТАЖ  
 (SRB) UPUTSTVA ZA MONTAŽU

1



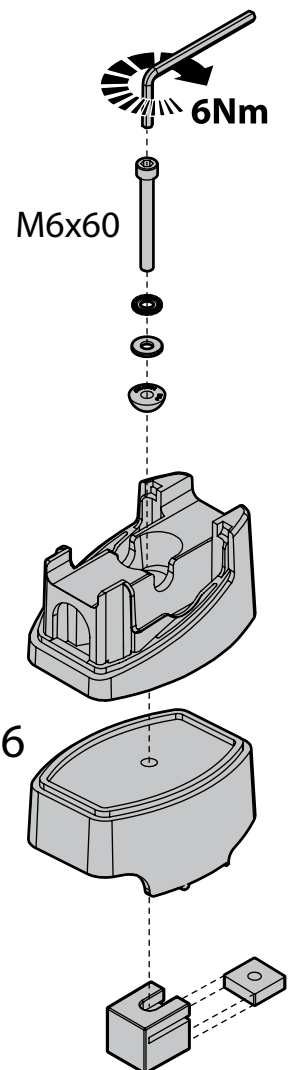
2

A

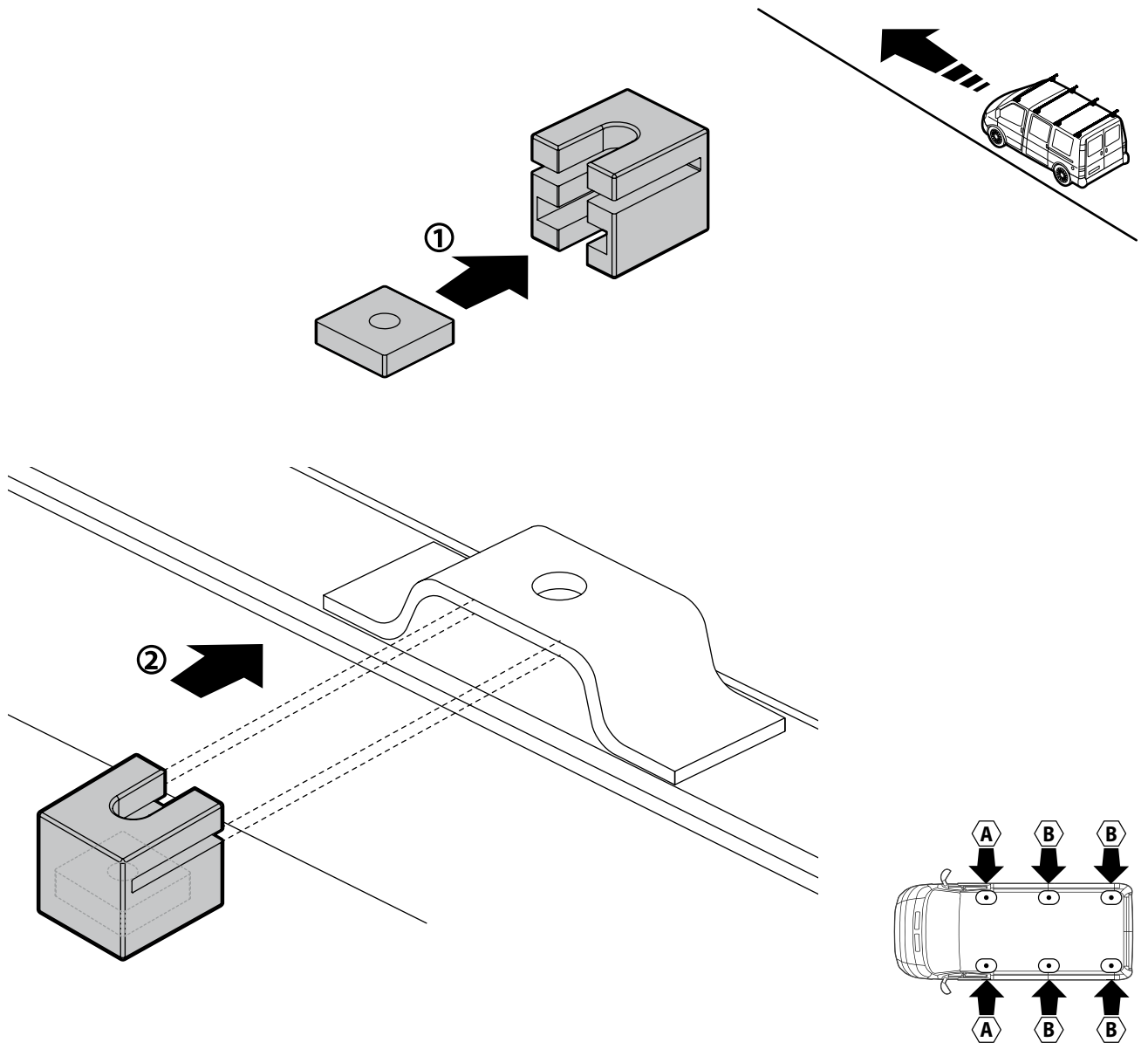


2

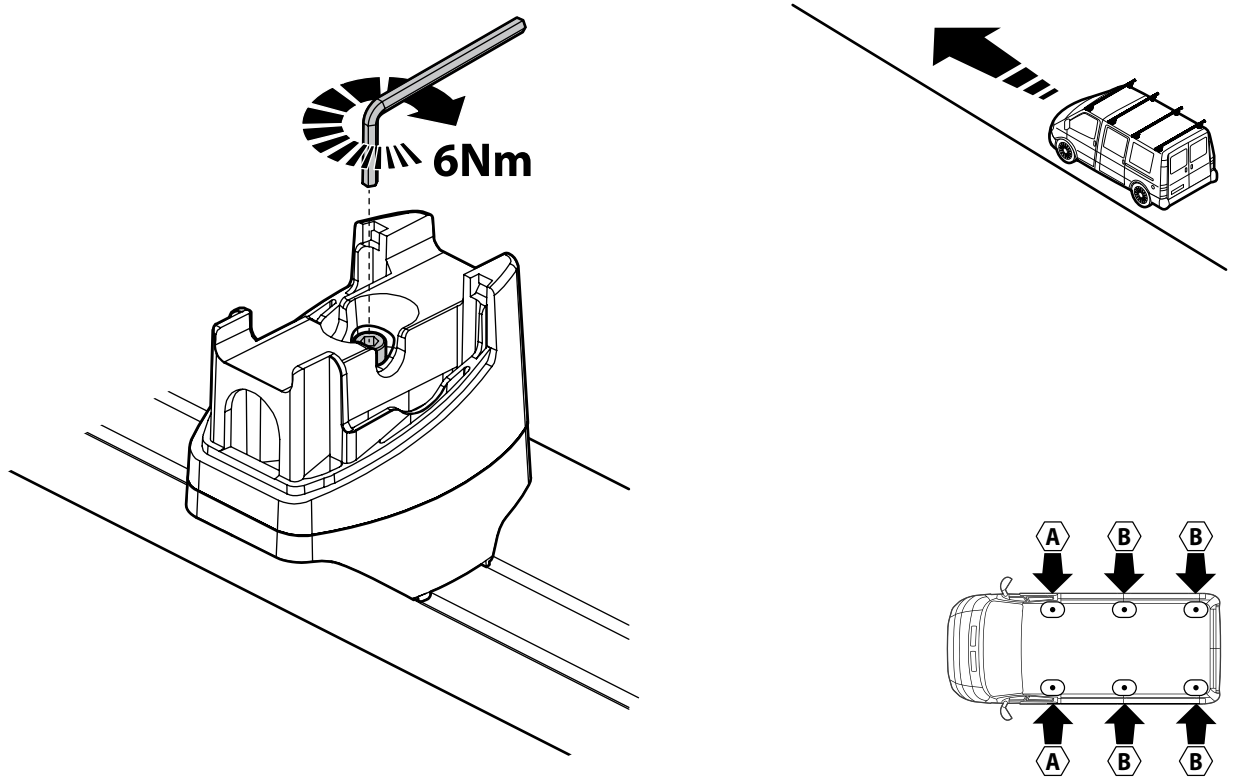
B



3



4

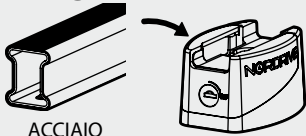




# ATTENZIONE WARNING



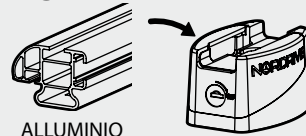
## A Kargo



ACCIAIO  
Steel

MONTAGGIO DIRETTO  
SUI KIT PIEDI SPECIFICI  
DIRECTLY ON FOOT KITS  
BEFESTIGUNGSFÜSSE

## B Kargo-Plus

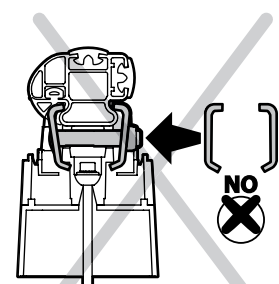
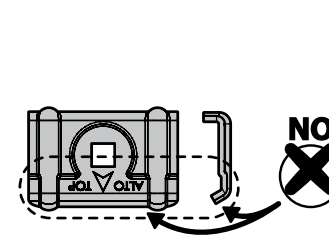
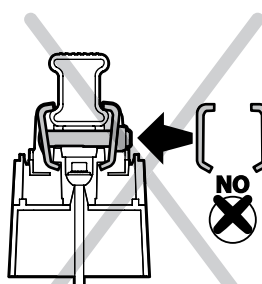
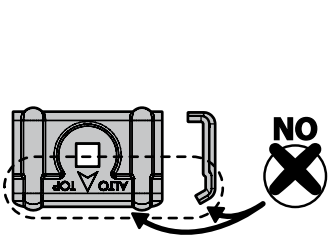
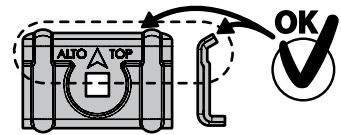
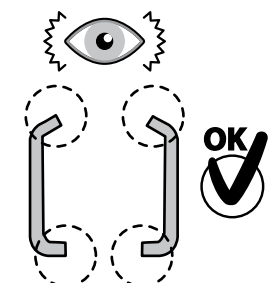
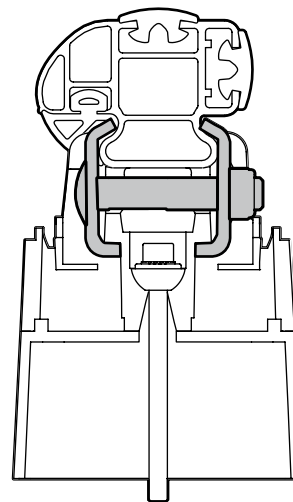
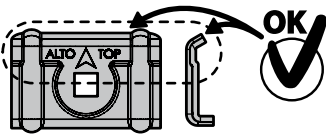
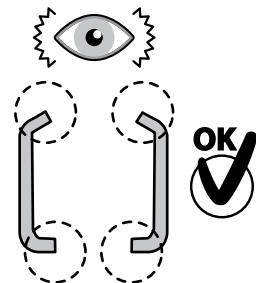
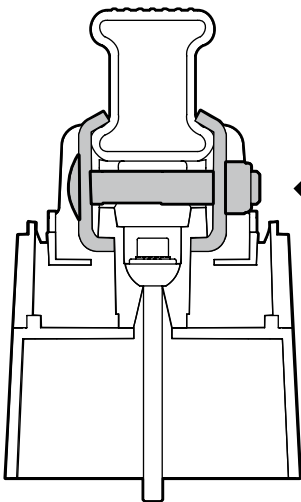
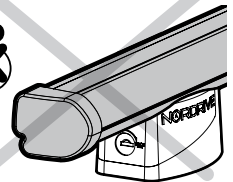
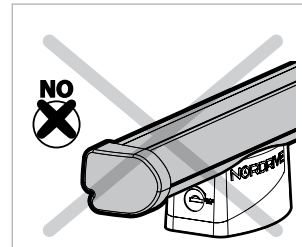
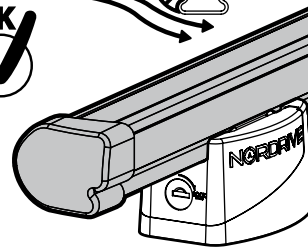
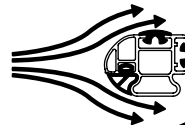
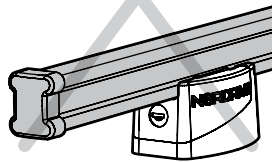
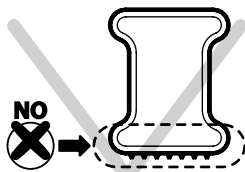
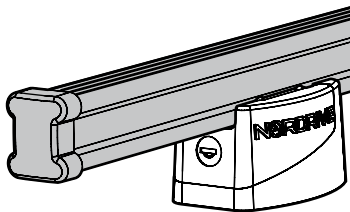
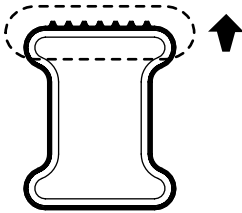


ALLUMINIO  
Aluminium

MONTAGGIO DIRETTO  
SUI KIT PIEDI SPECIFICI  
DIRECTLY ON FOOT KITS  
BEFESTIGUNGSFÜSSE

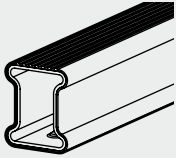
# A

# B



# 5

**A**



**Kargo**  
ACCIAIO  
Steel


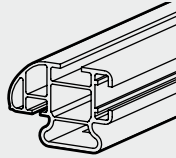


Diagram A shows the Kargo steel bar being installed on a car roof. The bar is shown in a perspective view and then being placed onto the roof rails. The car's front view is shown below with the bar positioned across the roof. Arrows indicate the placement of the bar on the roof rails.

**B**



**Kargo-Plus**  
ALLUMINIO  
Aluminium




Diagram B shows the Kargo-Plus aluminium bar being installed on a car roof. The bar is shown in a perspective view and then being placed onto the roof rails. The car's front view is shown below with the bar positioned across the roof. Arrows indicate the placement of the bar on the roof rails. Step 1 shows the bar being placed on the roof rails. Step 2 shows the bar being secured with clips, with scissors indicating where to cut the clips.

# 6

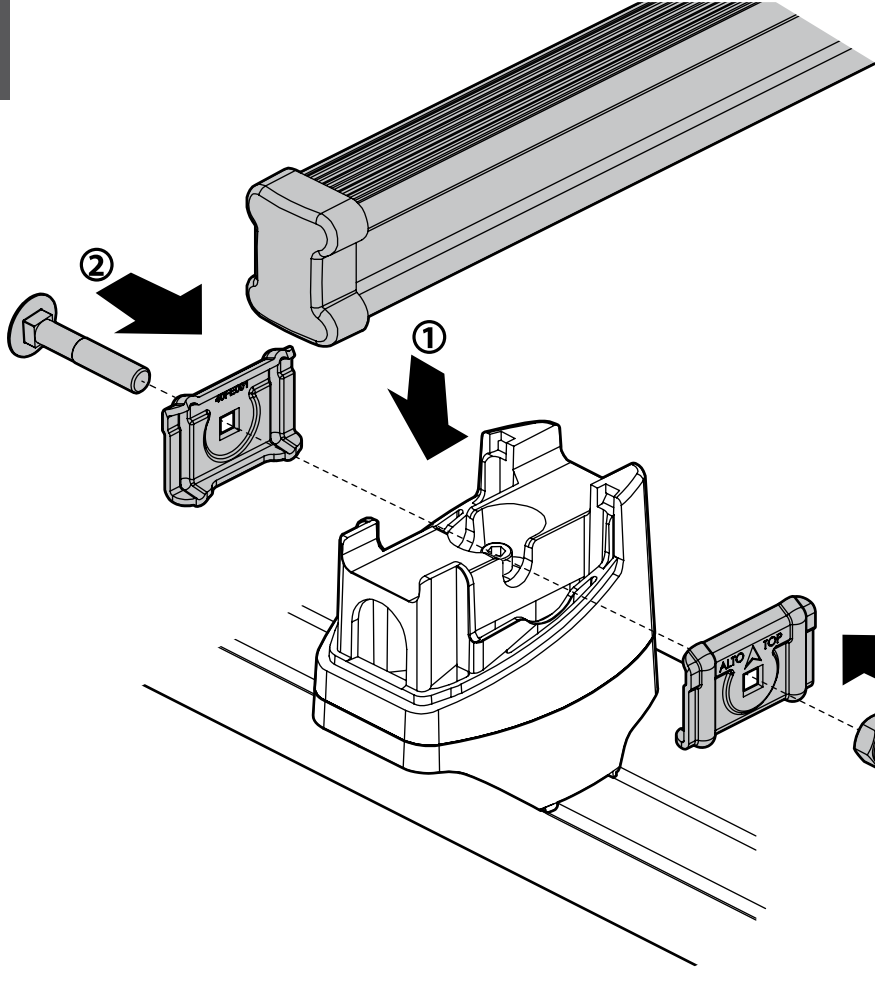


Diagram 6 shows the assembly of the Kargo-Plus aluminium bar. The bar is shown in a perspective view. Step 1 shows the bar being inserted into the roof rail. Step 2 shows the bar being secured with a clip. Step 3 shows the bar being secured with a nut. The car's front view is shown below with the bar positioned across the roof. Arrows indicate the placement of the bar on the roof rails.

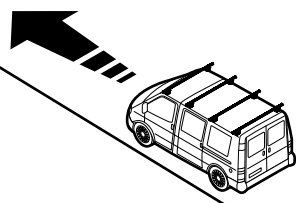


Diagram 6 shows the Kargo-Plus aluminium bar being installed on a car roof. The bar is shown in a perspective view and then being placed onto the roof rails. The car's front view is shown below with the bar positioned across the roof. Arrows indicate the placement of the bar on the roof rails. An inset image shows a car with the bar installed on its roof, with an arrow pointing to the left.

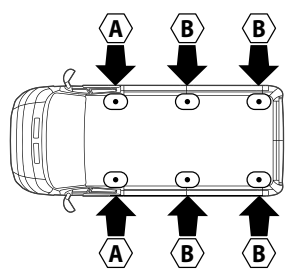
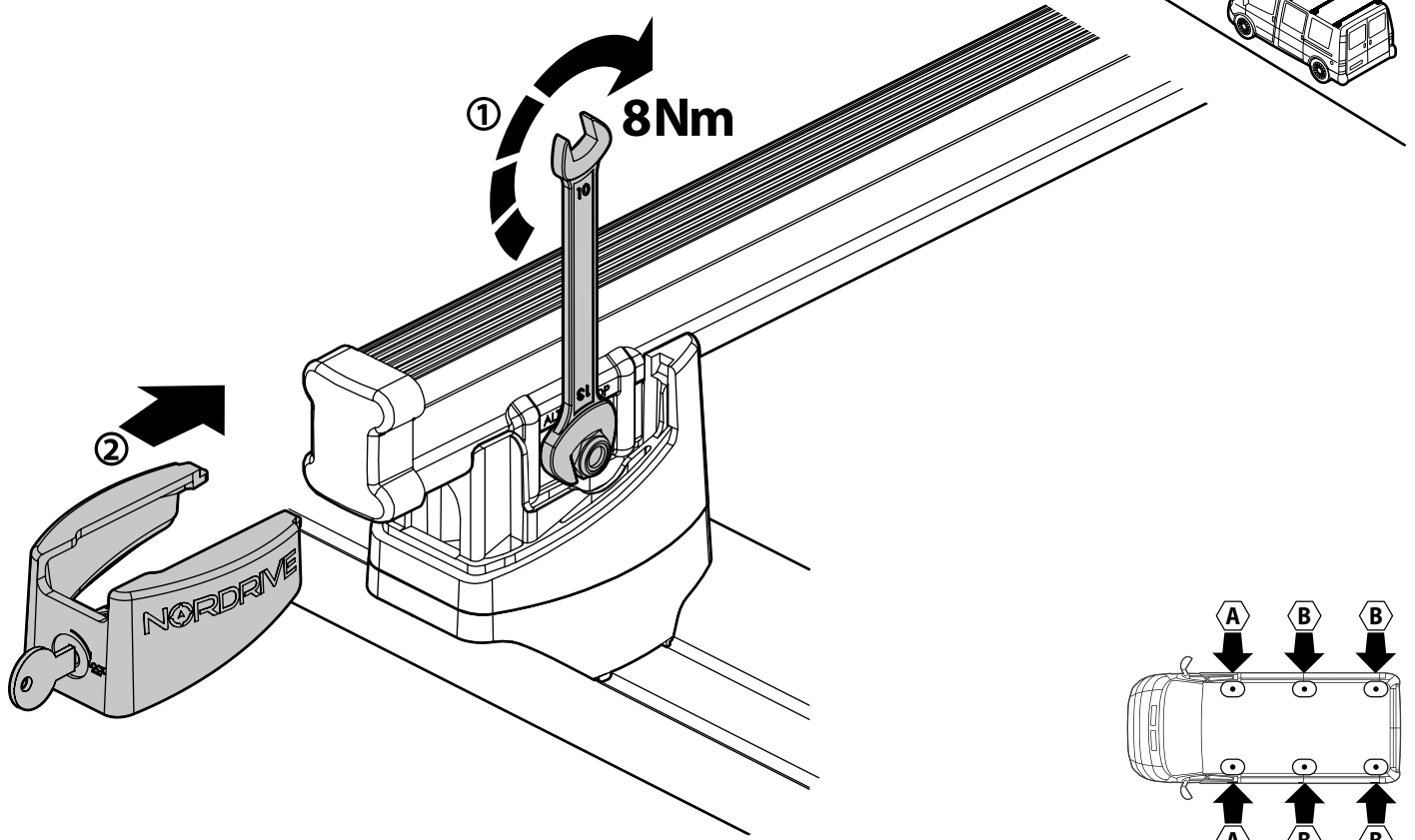


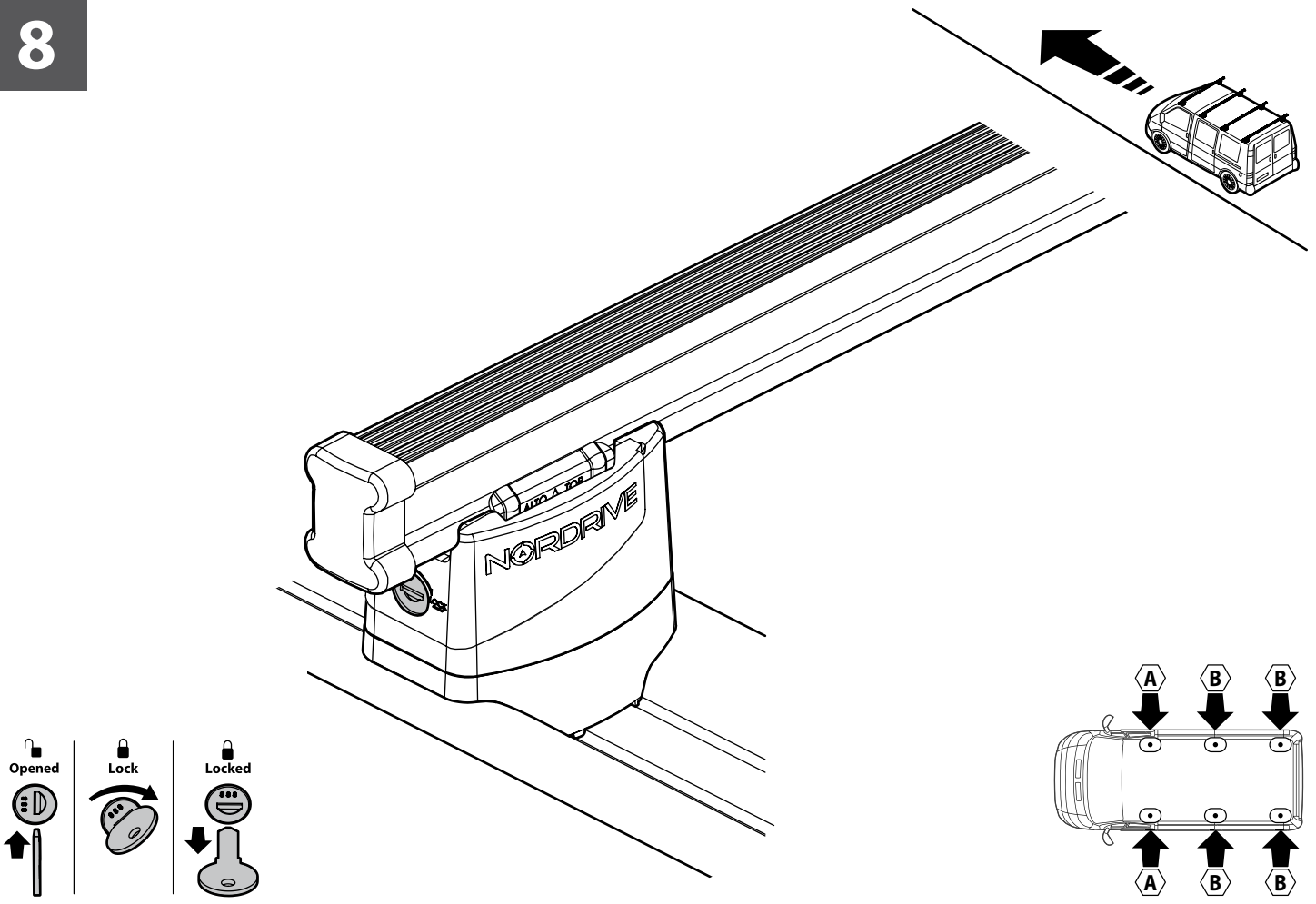
Diagram 6 shows the Kargo-Plus aluminium bar being installed on a car roof. The bar is shown in a perspective view and then being placed onto the roof rails. The car's front view is shown below with the bar positioned across the roof. Arrows indicate the placement of the bar on the roof rails. An inset image shows a car with the bar installed on its roof, with arrows pointing to the bar's position. The arrows are labeled A and B, indicating the placement of the bar on the roof rails.



7



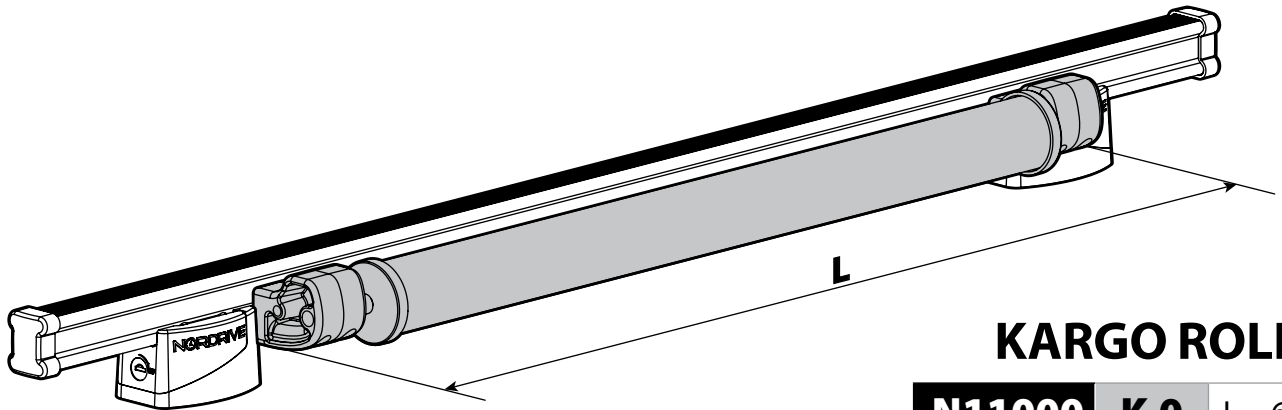
8



# Kargo series

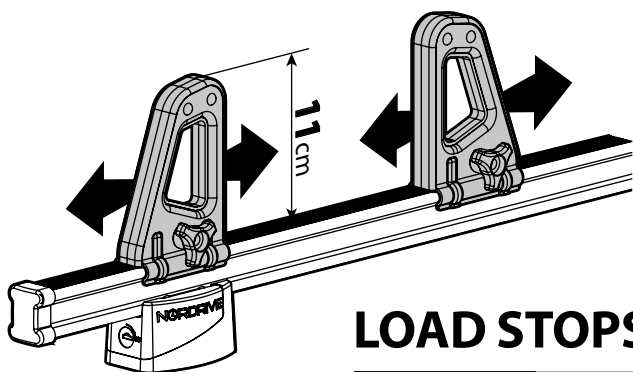


Acciaio / Steel



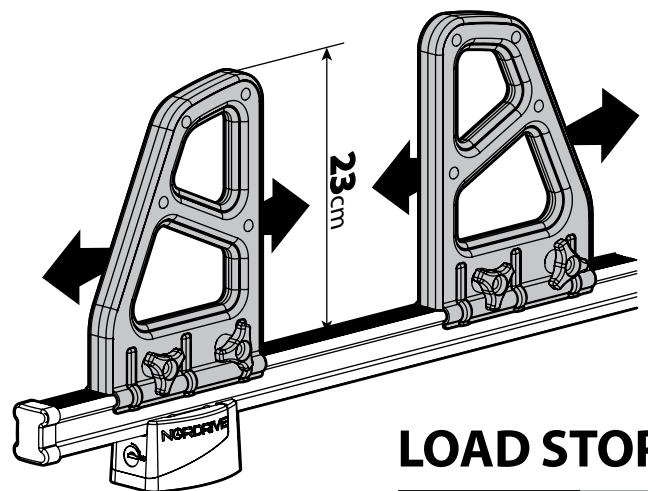
## KARGO ROLLER

<b>N11000</b>	<b>K-0</b>	L = 64 cm
<b>N11003</b>	<b>K-7</b>	L = 96 cm



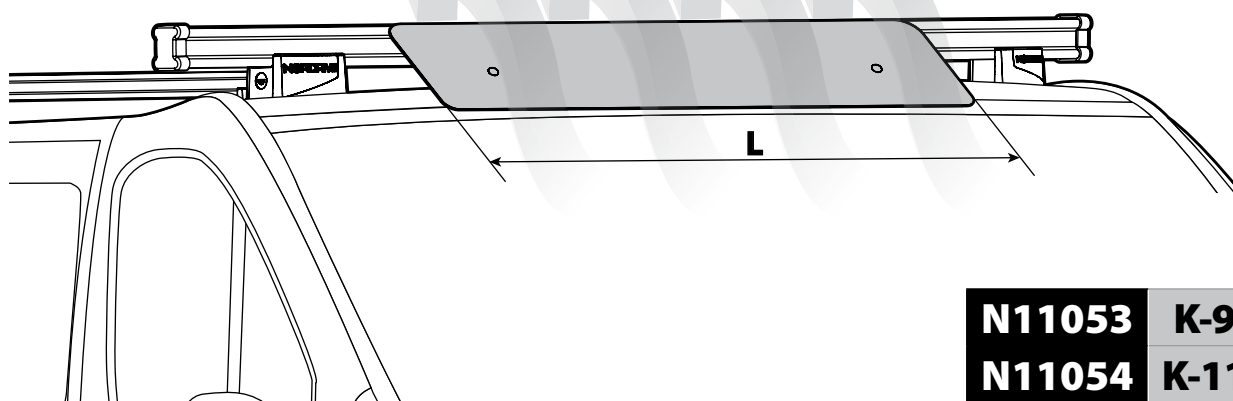
## LOAD STOPS

**N11001** K-1



## LOAD STOPS

**N11002** K-2

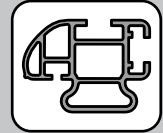


## SPOILER

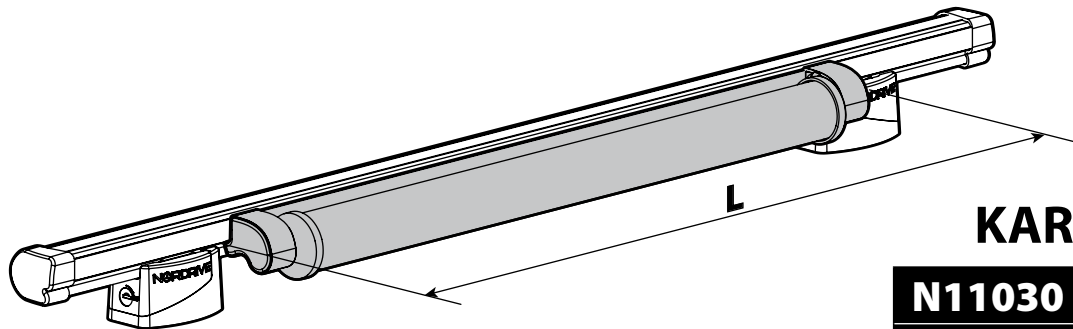
<b>N11053</b>	<b>K-9</b>	L = 95 cm
<b>N11054</b>	<b>K-11</b>	L = 110 cm

**OPTIONALS** PER / FOR / FÜR:

# Kargo-Plus series

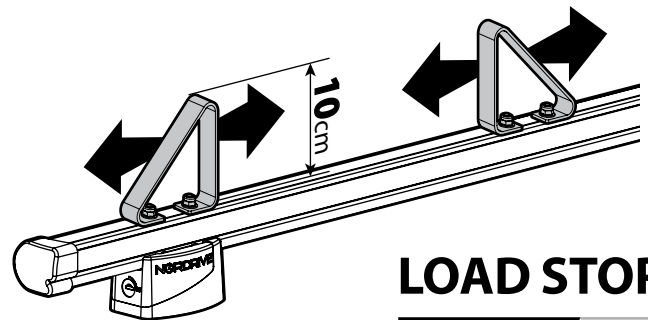
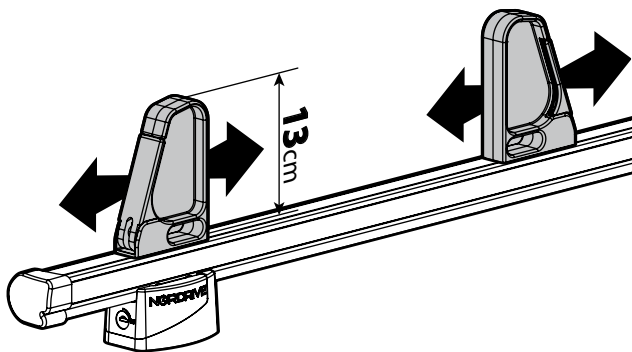


Alluminio / Aluminium



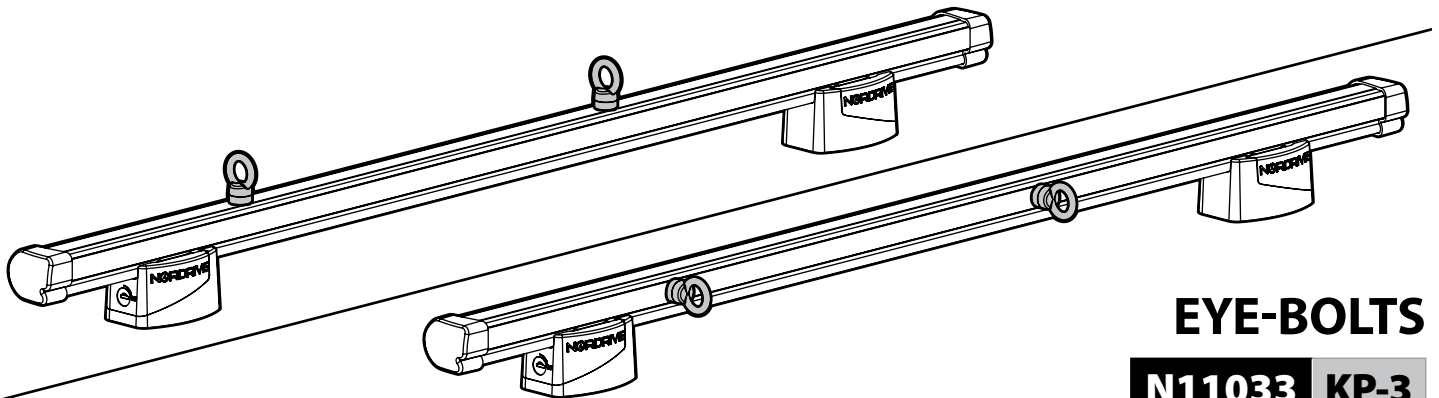
## KARGO ROLLER

<b>N11030</b>	<b>KP-0</b>	L = 64 cm
<b>N11034</b>	<b>KP-7</b>	L = 96 cm



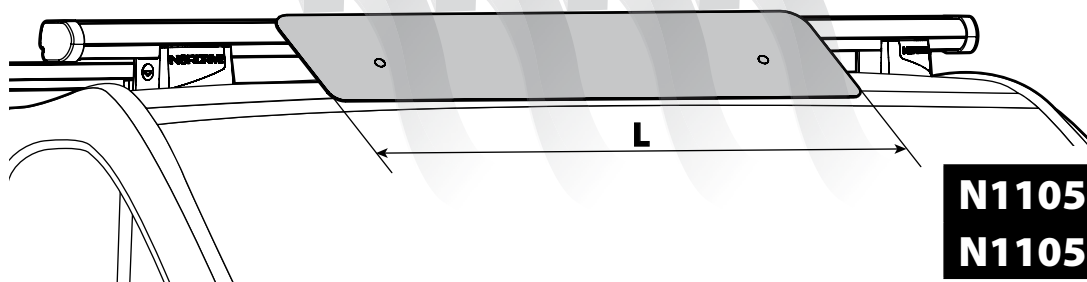
## LOAD STOPS

**N11031** KP-1



## EYE-BOLTS

**N11033** KP-3



## SPOILER

<b>N11057</b>	<b>KP-9</b>	L = 95 cm
<b>N11058</b>	<b>KP-11</b>	L = 110 cm

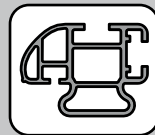
**OPTIONALS** PER / FOR / FÜR:

**Kargo** series



Acciaio / Steel

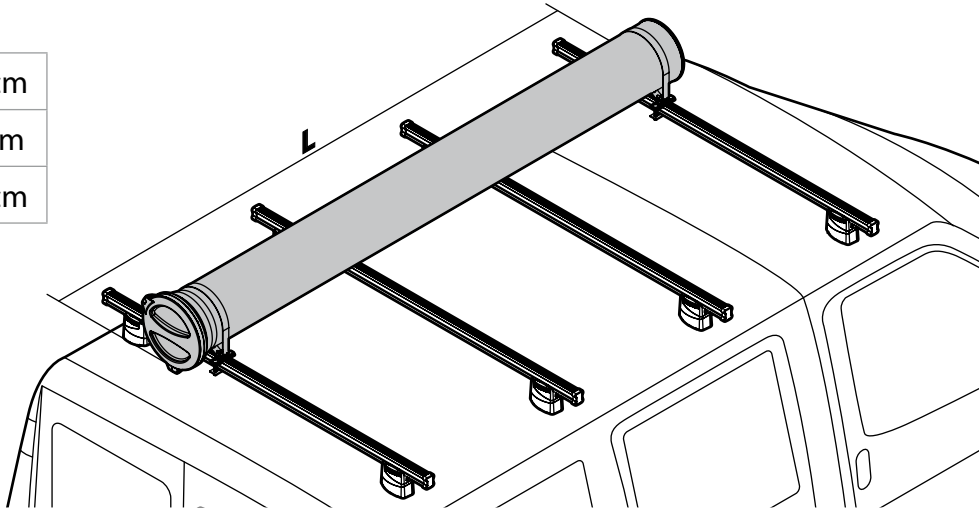
**Kargo-Plus**  
series



Alluminio / Aluminium

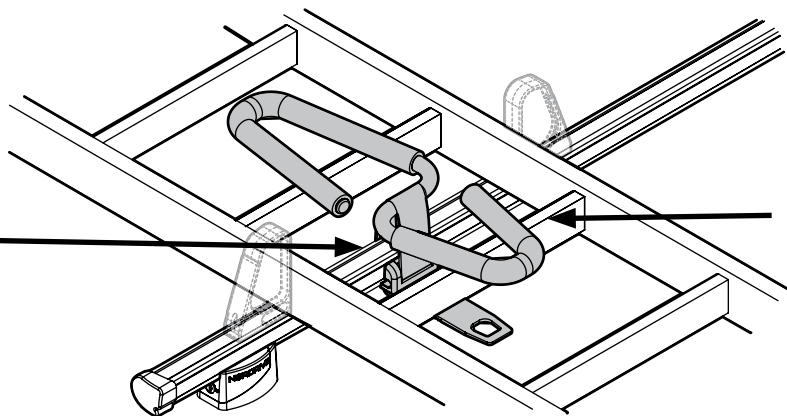
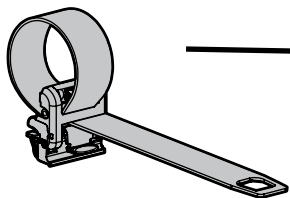
**KARGO-TUBE**

<b>N11050</b>	<b>T200</b>	L = 205 cm
<b>N11051</b>	<b>T300</b>	L = 305 cm
<b>N11052</b>	<b>T400</b>	L = 405 cm



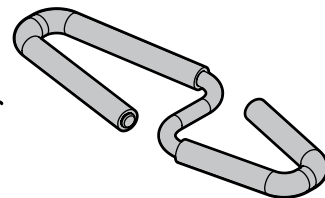
**LADDER HOLDER STRAPS**

**N11065 U-5**



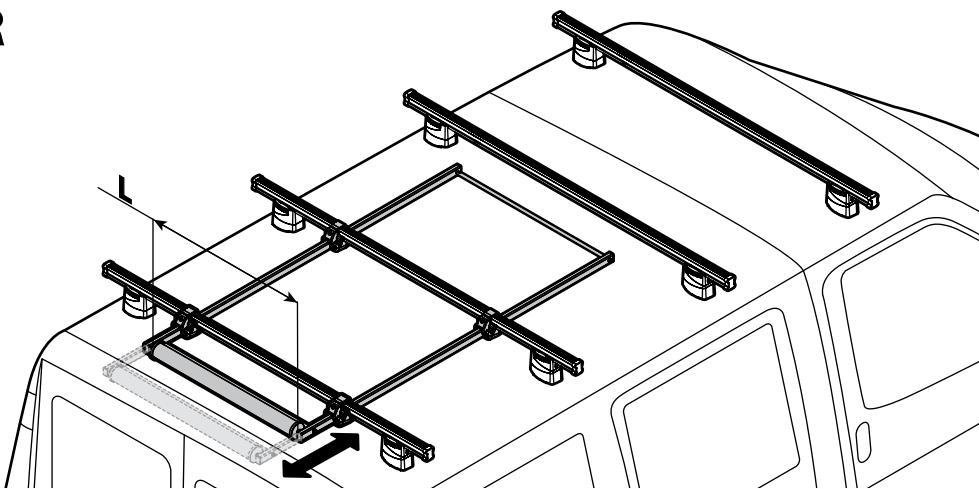
**LADDER STEP ADAPTER**

**N11067 U-6**



**EXTENSION ROLLER**

<b>N11020</b>	<b>U-0</b>	L = 64 cm
<b>N11021</b>	<b>U-7</b>	L = 96 cm



- (I) Lotto di produzione da comunicare per eventuali ricambi
- (GB) Production lot number to be communicated for any spare parts
- (F) Lot de production à communiquer pour toute pièce de rechange
- (D) Produktionscharge für eventuelle Ersatzteile
- (E) Lote de producción a comunicar por cualquier repuesto

**Lot.**

**NORDRIVE®**  
TRANSPORT SOLUTIONS

NORDRIVE® is a registered trademark of  
**LAMPA S.p.A.**  
Via G. Rossa 53/55, 46019 Viadana (MN) ITALY  
Tel. +39 0375 820700  
UNI EN ISO 9001:2008 Certified Company  
[www.nordrive.it](http://www.nordrive.it)  
[www.lampa.it](http://www.lampa.it)