

Art. **N30032**

**CITROËN JUMPER**

04/06→

**FIAT DUCATO**

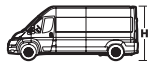
07/06→

**PEUGEOT BOXER**

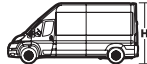
04/06→



H1  
(L1, L2, L3)

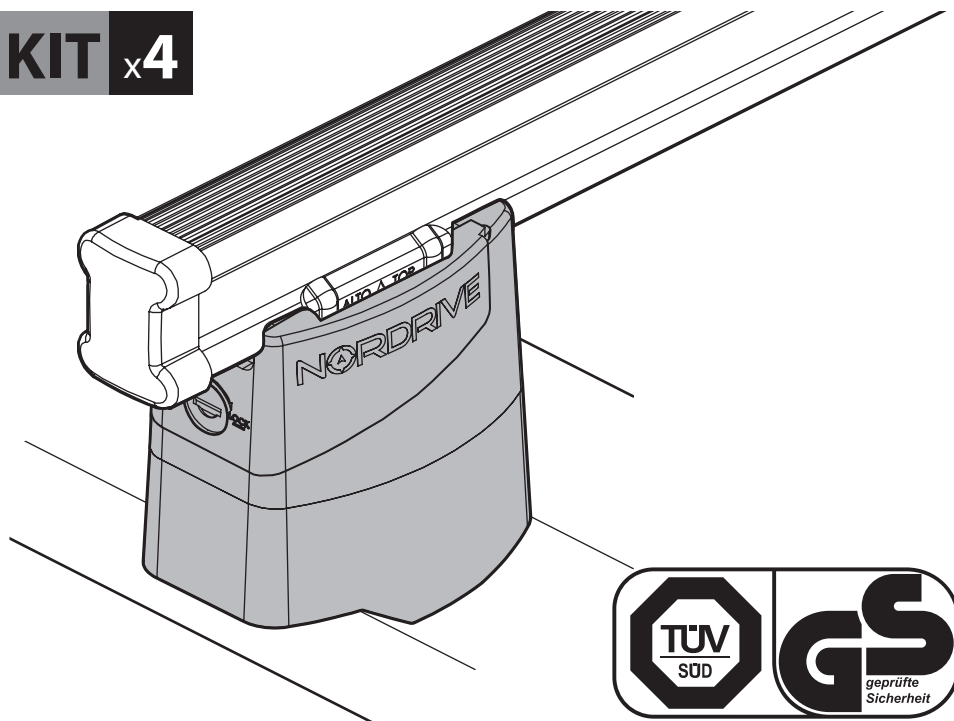


H2  
(L2, L3, L4)



H3  
(L4)

**KIT x4**



**2** = Art. **N30032** x **1**

bars

**4** = Art. **N30032** x **2**

bars



- ⓘ ADATTO PER
- Ⓒ SUITABLE FOR
- Ⓕ INDIQUÉ POUR
- Ⓓ GEEIGNET FÜR
- Ⓔ ADECUADA PARA

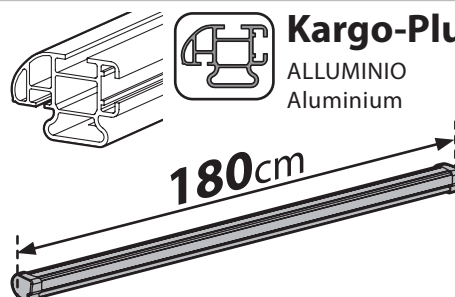
# NORDRIVE KARGO SERIES



**Kargo**  
ACCIAIO  
Steel

- ⓘ BARRE KARGO
- Ⓒ KARGO BARS
- Ⓕ BARRES KARGO
- Ⓓ DACH-LASTENTRÄGER KARGO
- Ⓔ BARRES KARGO

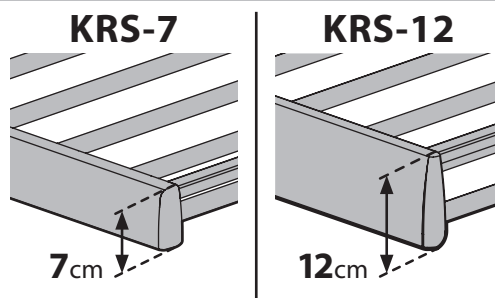
Art. **N10015** x2



**Kargo-Plus**  
ALLUMINIO  
Aluminium

- ⓘ BARRE KARGO-PLUS
- Ⓒ KARGO-PLUS BARS
- Ⓕ BARRES KARGO-PLUS
- Ⓓ DACH-LASTENTRÄGER KARGO-PLUS
- Ⓔ BARRES KARGO-PLUS

Art. **N10045** x2

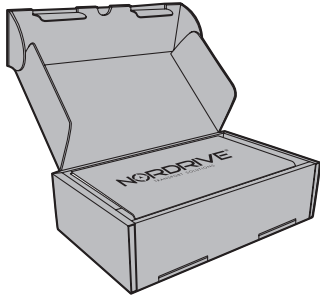


**KRS-7**

**KRS-12**

- ⓘ CESTE PORTATUTTO KRS-7 / KRS-12
- Ⓒ KRS-7 / KRS-12 VAN ROOF RACKS
- Ⓕ GALERIE KRS-7 / KRS-12
- Ⓓ DACHKÖRBEIN KRS-7 / KRS-12
- Ⓔ BACAS KRS-7 / KRS-12

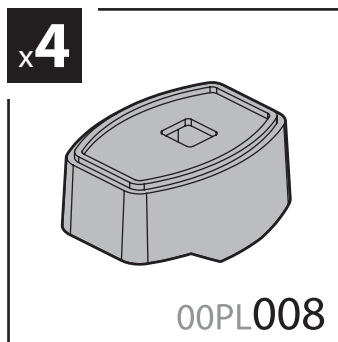
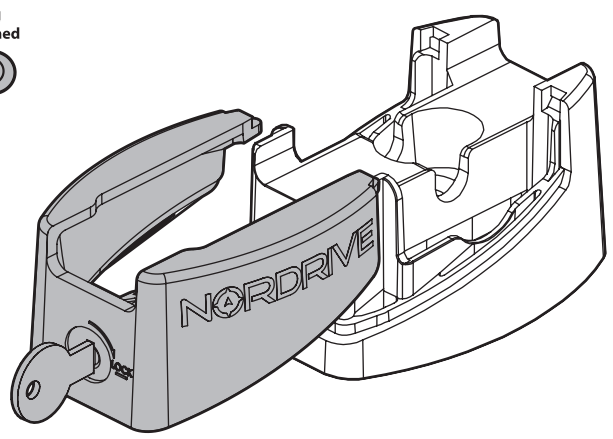
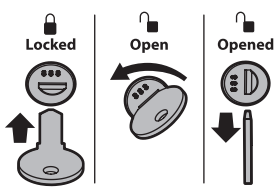
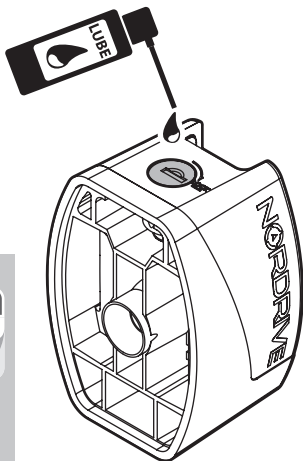
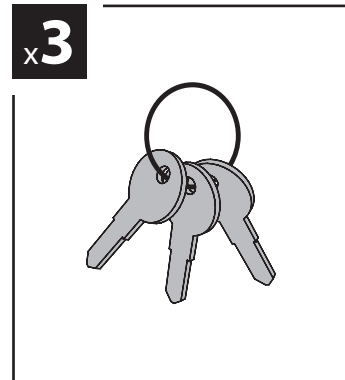
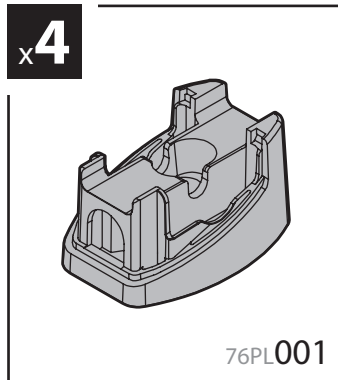
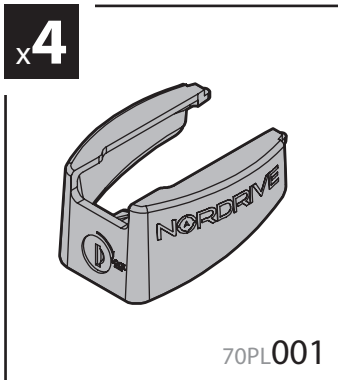
- ⓘ ISTRUZIONI DI MONTAGGIO
- Ⓒ FITTING INSTRUCTIONS
- Ⓓ MONTAGEANLEITUNG
- Ⓕ INSTRUCTIONS DE MONTAGE
- Ⓔ ISTRUCCIONES DE MONTAJE
- Ⓖ INSTRUÇÕES DE MONTAGEM
- Ⓗ MONTAGE-INSTRUCTIES
- Ⓘ MONTERINGSANVISNING
- Ⓙ ASENNUSOHJE
- Ⓚ PAIGALDUSJUHEND
- Ⓛ STIPRIŅĀŠANAS INSTRUKCIJA
- Ⓜ PRITVIRTINIMO INSTRUKCIJOS
- Ⓝ INSTRUKCJA MONTAŻU
- Ⓟ Инструкции по установке
- Ⓡ NÁVOD NA MONTÁŽ
- Ⓢ NÁVOD NA MONTÁŽ
- Ⓣ NAVODILA ZA PRITRJEVANJE
- Ⓡ UPUTA ZA SASTAVLJANJE
- Ⓜ A FELSZERELÉS MÓDJA
- Ⓝ Οδηγίες συναρμολόγησης
- Ⓡ MONTAJ TALIMATLARIL
- Ⓝ ИНСТРУКЦИИ ЗА МОНТАЖ
- Ⓡ UPUTSTVA ZA MONTAŽU



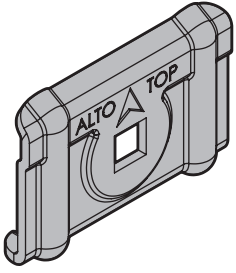
# NORDDRIVE®

TRANSPORT SOLUTIONS

Art. **N30032**

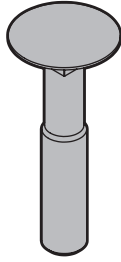


x8



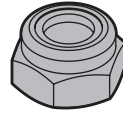
40FE001

x4



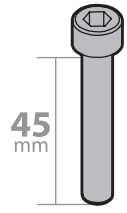
60BQ8045

x4



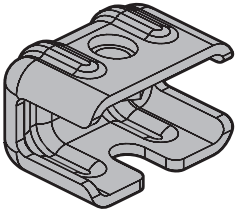
62BB0800

x4



M6x45  
60CE6045

x4



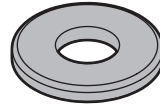
40FE003

x4



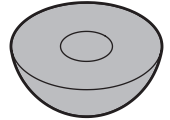
61ED0611

x4



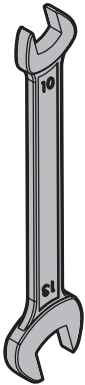
ø6 - ø15  
82FE0001

x4



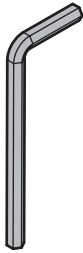
60RO004

x1



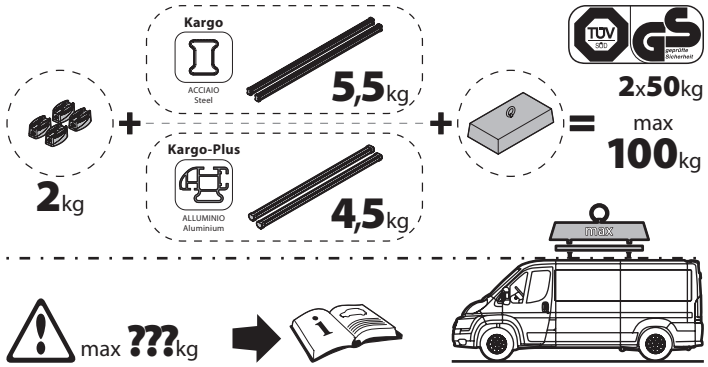
72FE0001

x1

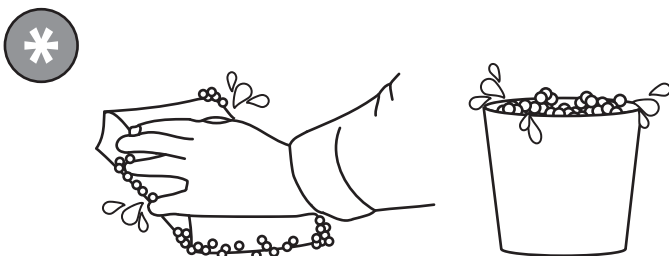
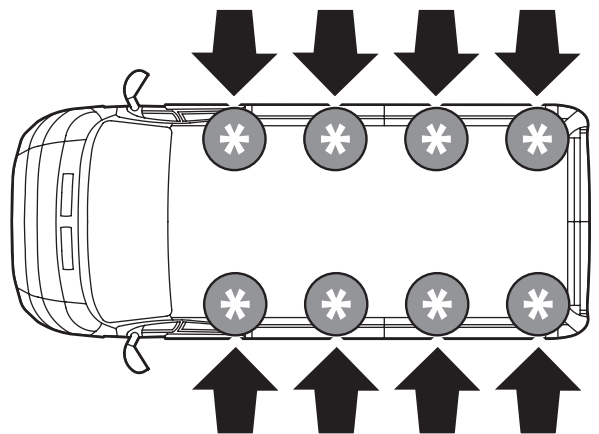
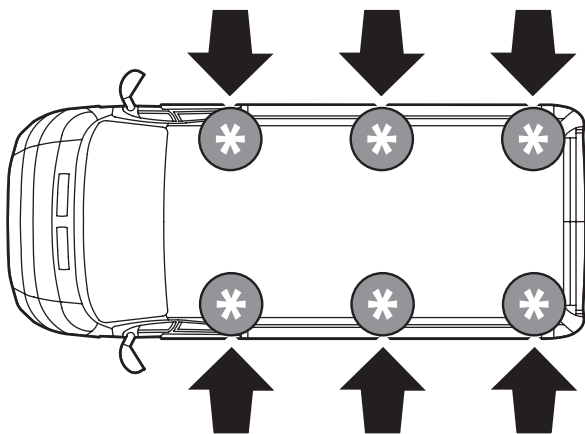
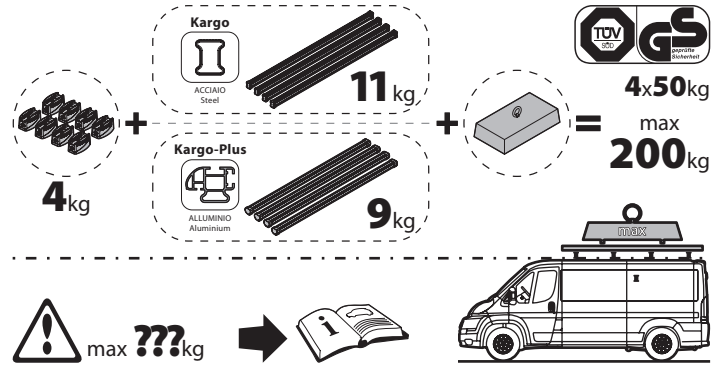


72FE0002

**2** = Art. N30032 x 1  
bars



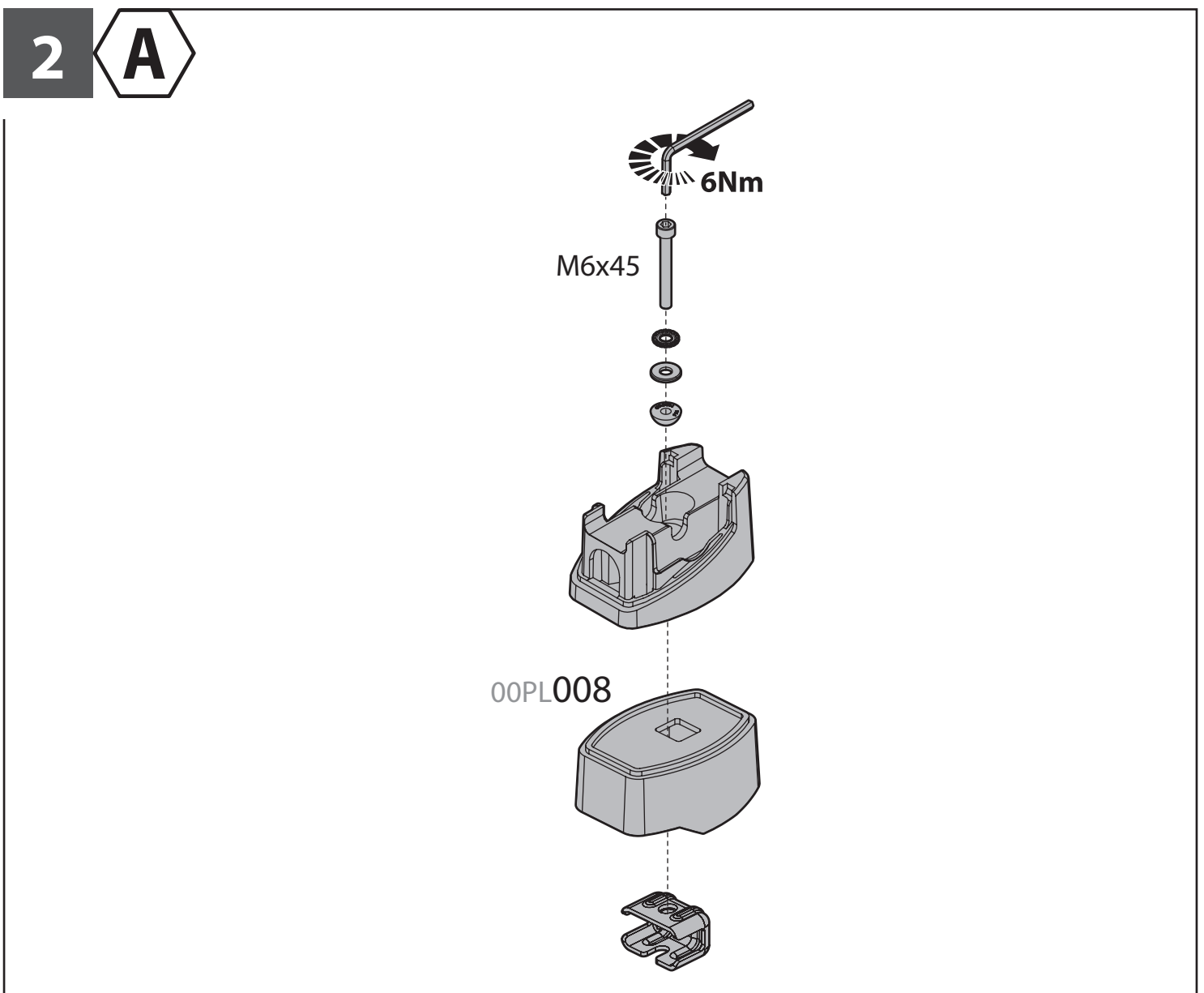
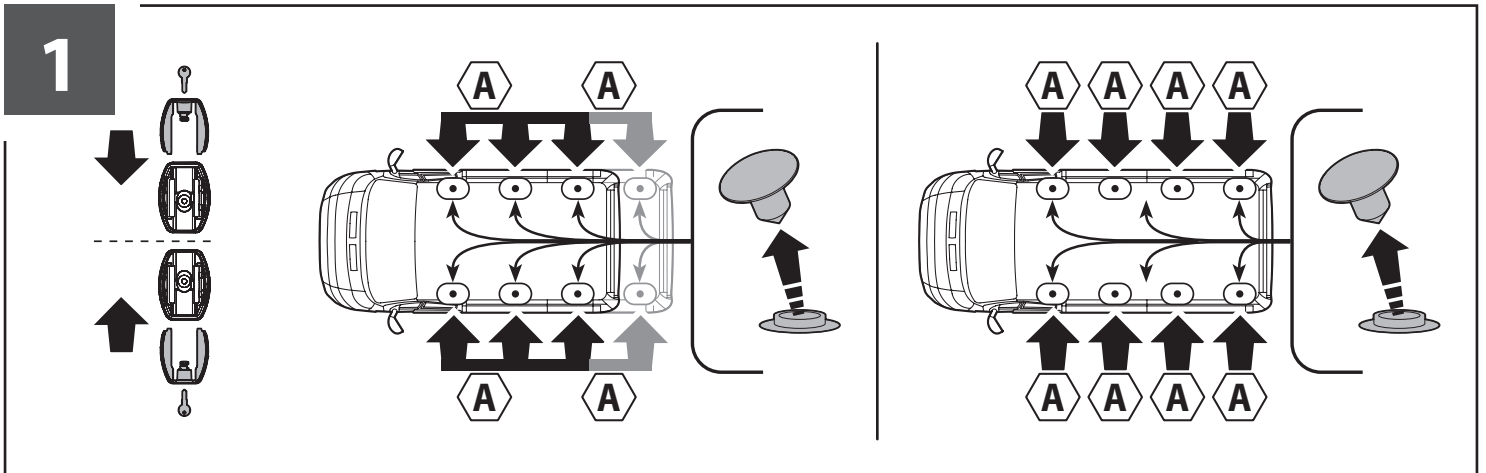
**4** = Art. N30032 x 2  
bars



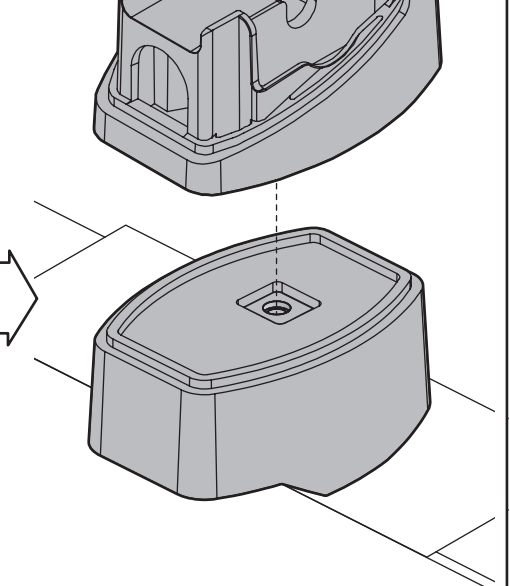
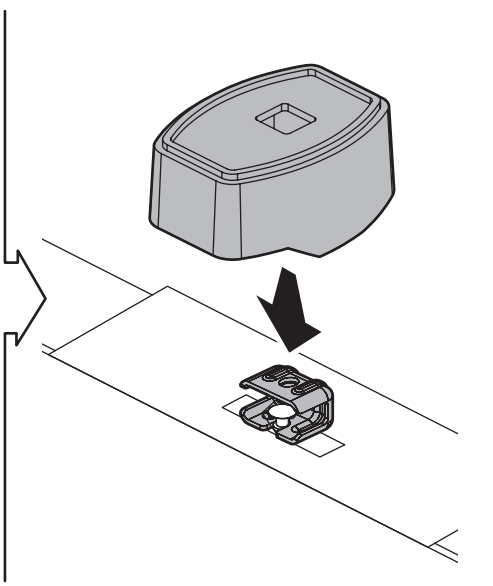
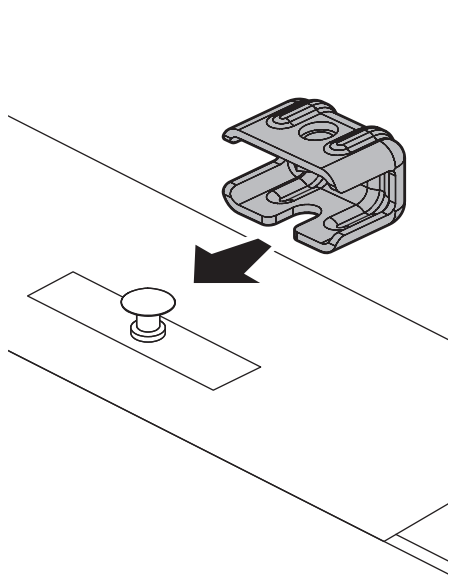
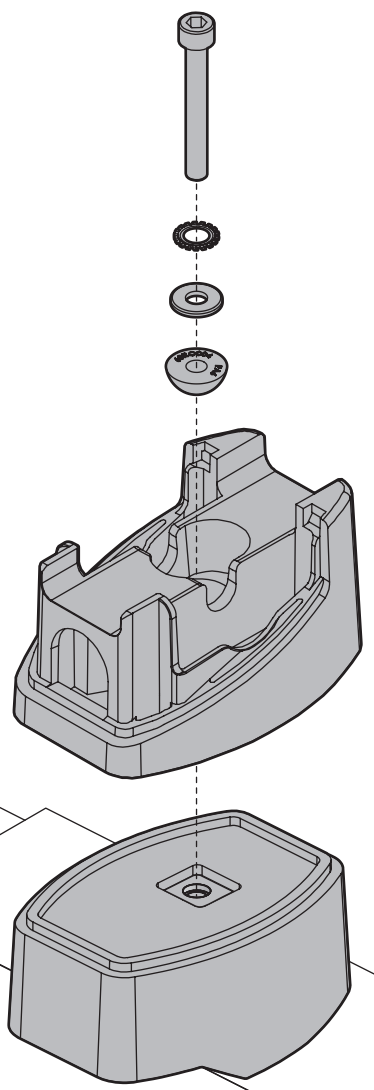
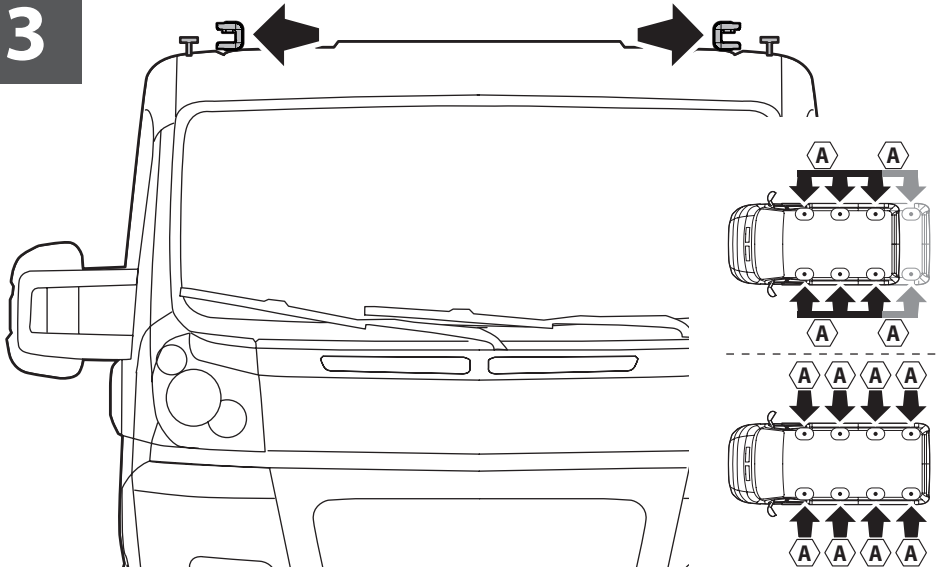
(I) ISTRUZIONI DI MONTAGGIO  
 (GB) FITTING INSTRUCTIONS  
 (D) MONTAGEANLEITUNG  
 (F) INSTRUCTIONS DE MONTAGE  
 (E) INSTRUCCIONES DE MONTAJE  
 (P) INSTRUÇÕES DE MONTAGEM  
 (NL) MONTAGE-INSTRUCTIES  
 (S) MONTERINGSANVISNING

(FIN) ASENNUSOHJE  
 (EST) PAIGALDUSJUHEND  
 (LAT) STIPRINĀŠANAS INSTRUKCIJA  
 (LT) PRITVIRTINIMO INSTRUKCIJOS  
 (PL) INSTRUKCJA MONTAŻU  
 (RUS) Инструкции по установке  
 (CZ) NÁVOD NA MONTÁŽ  
 (SK) NÁVOD NA MONTÁŽ

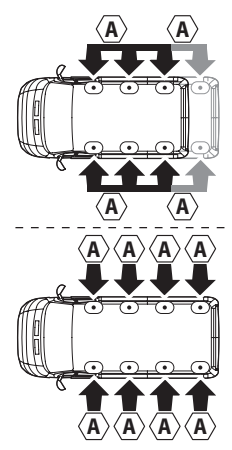
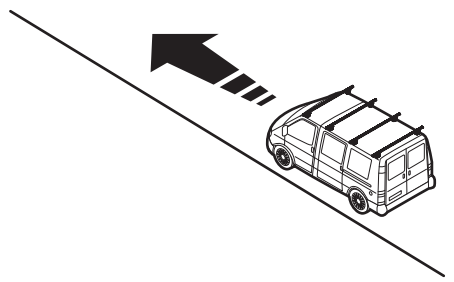
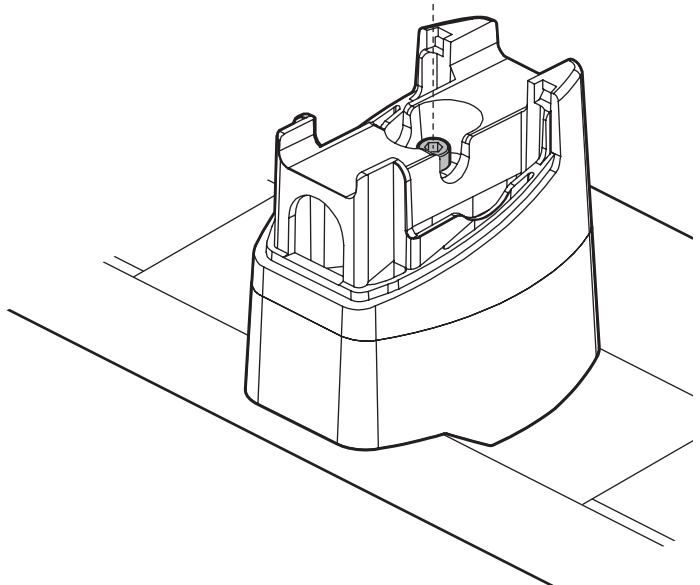
(SLO) NAVODILA ZA PRITRJEVANJE  
 (HR) UPUTA ZA SASTAVLJANJE  
 (H) A FELSZERELÉS MÓDJA  
 (GR) Οδηγίες συναρμολόγησης  
 (TR) MONTAJ TALIMATLARI  
 (BG) ИНСТРУКЦИИ ЗА МОНТАЖ  
 (SRB) UPUTSTVA ZA MONTAŽU



3



4





# ATTENZIONE WARNING



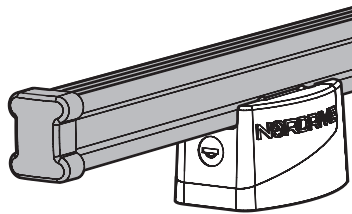
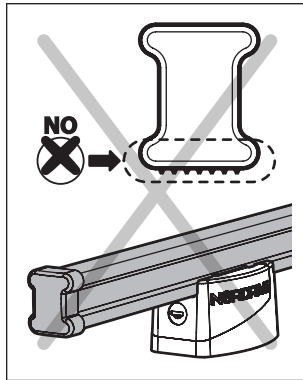
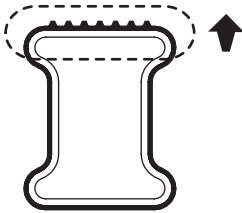
## Kargo

# A



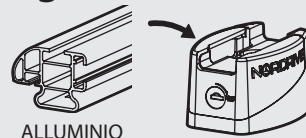
ACCIAIO  
Steel

MONTAGGIO DIRETTO  
SUI KIT PIEDI SPECIFICI  
DIRECTLY ON FOOT KITS  
BEFESTIGUNGSFÜSSE



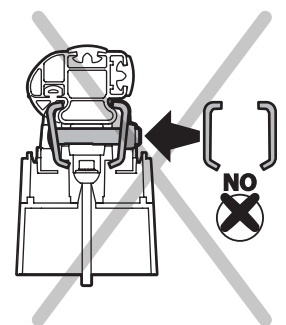
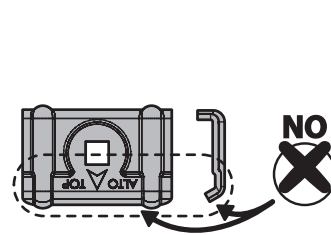
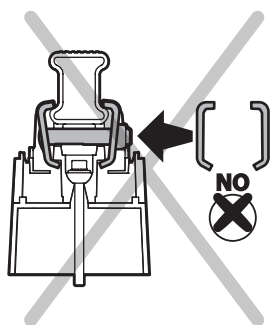
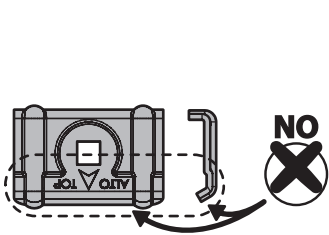
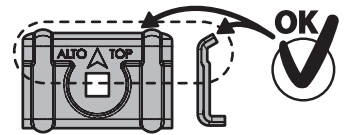
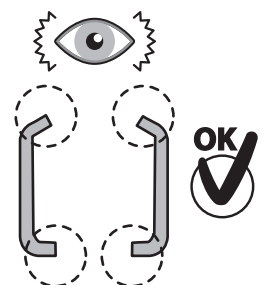
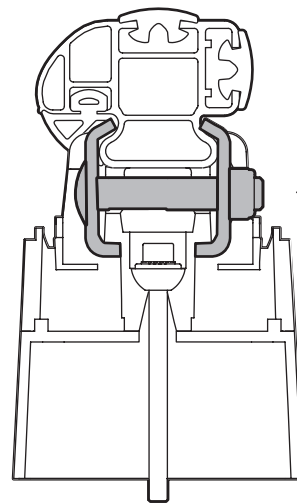
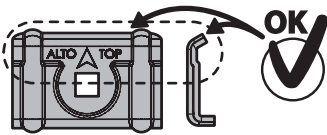
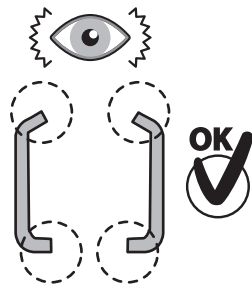
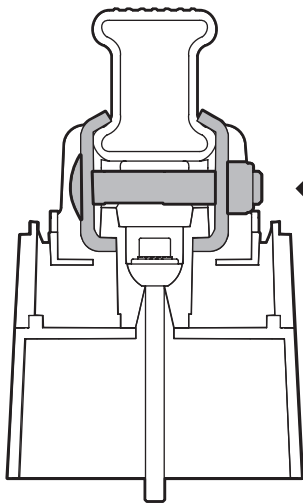
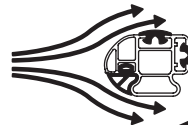
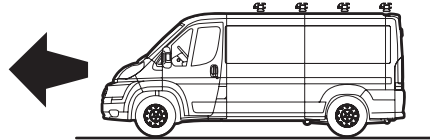
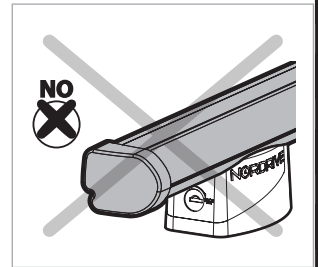
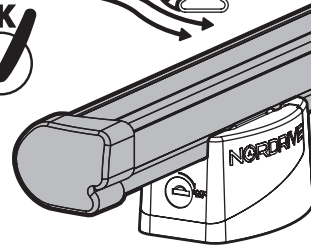
## Kargo-Plus

# B



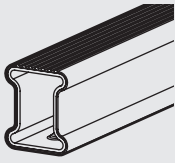
ALLUMINIO  
Aluminium

MONTAGGIO DIRETTO  
SUI KIT PIEDI SPECIFICI  
DIRECTLY ON FOOT KITS  
BEFESTIGUNGSFÜSSE



5

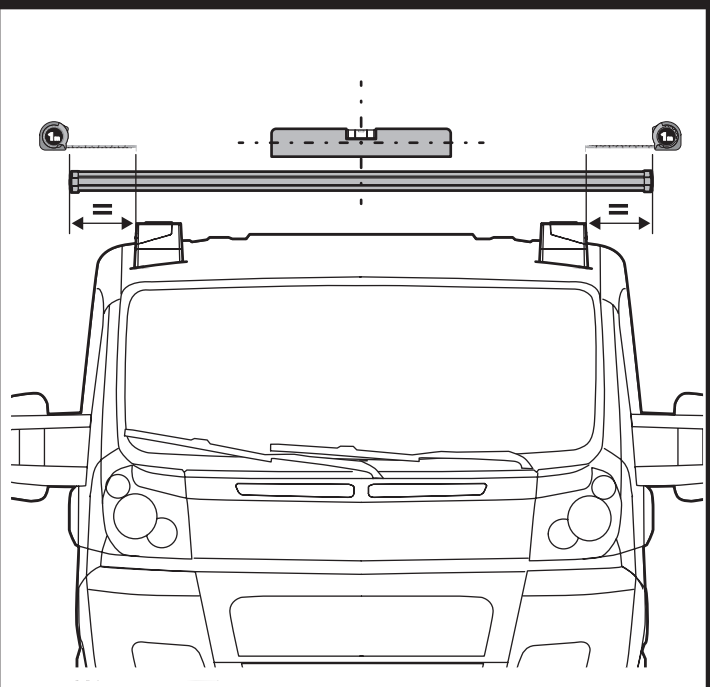
A



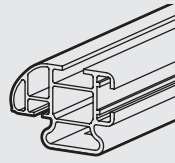
**Kargo**



ACCIAIO  
Steel



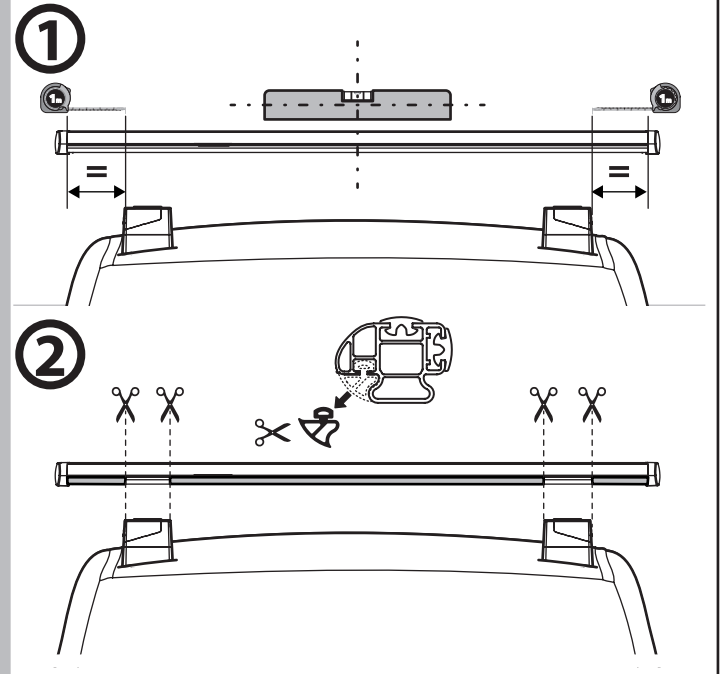
B



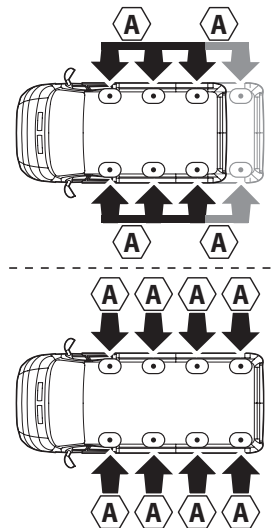
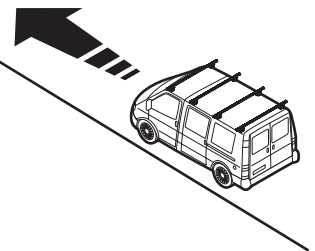
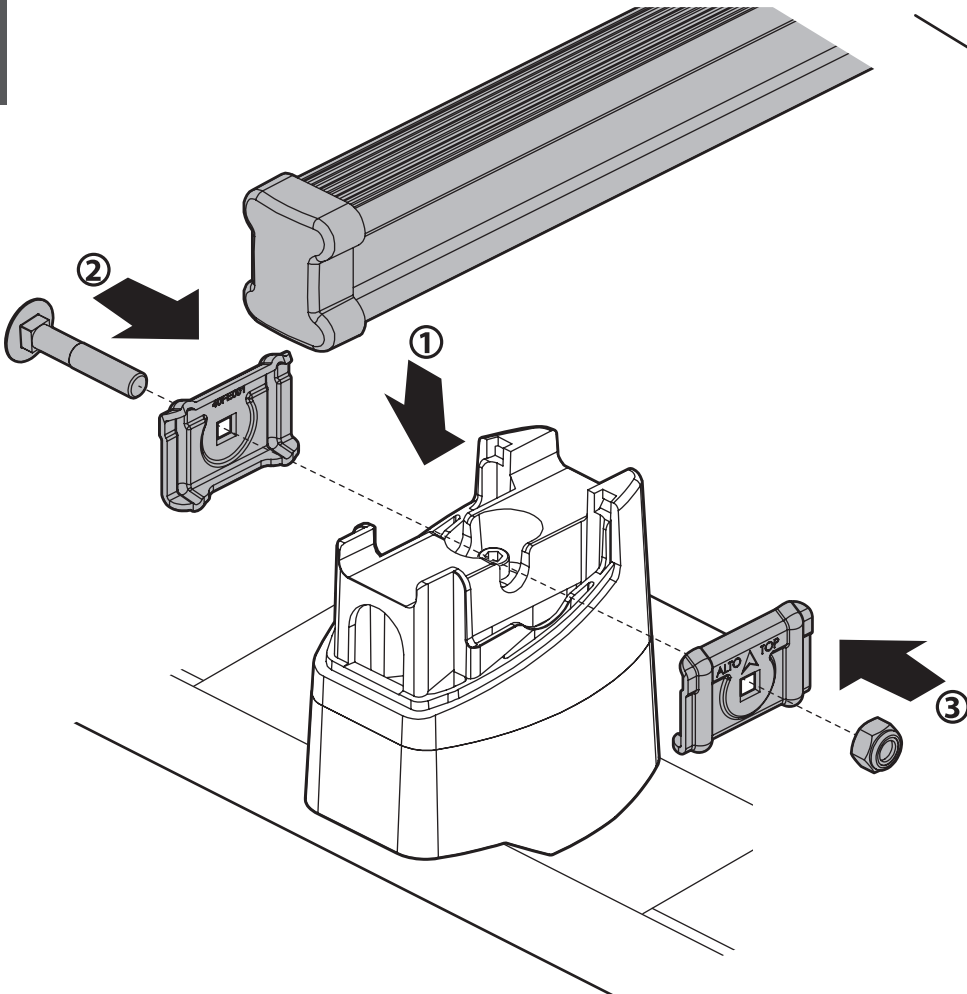
**Kargo-Plus**



ALLUMINIO  
Aluminium

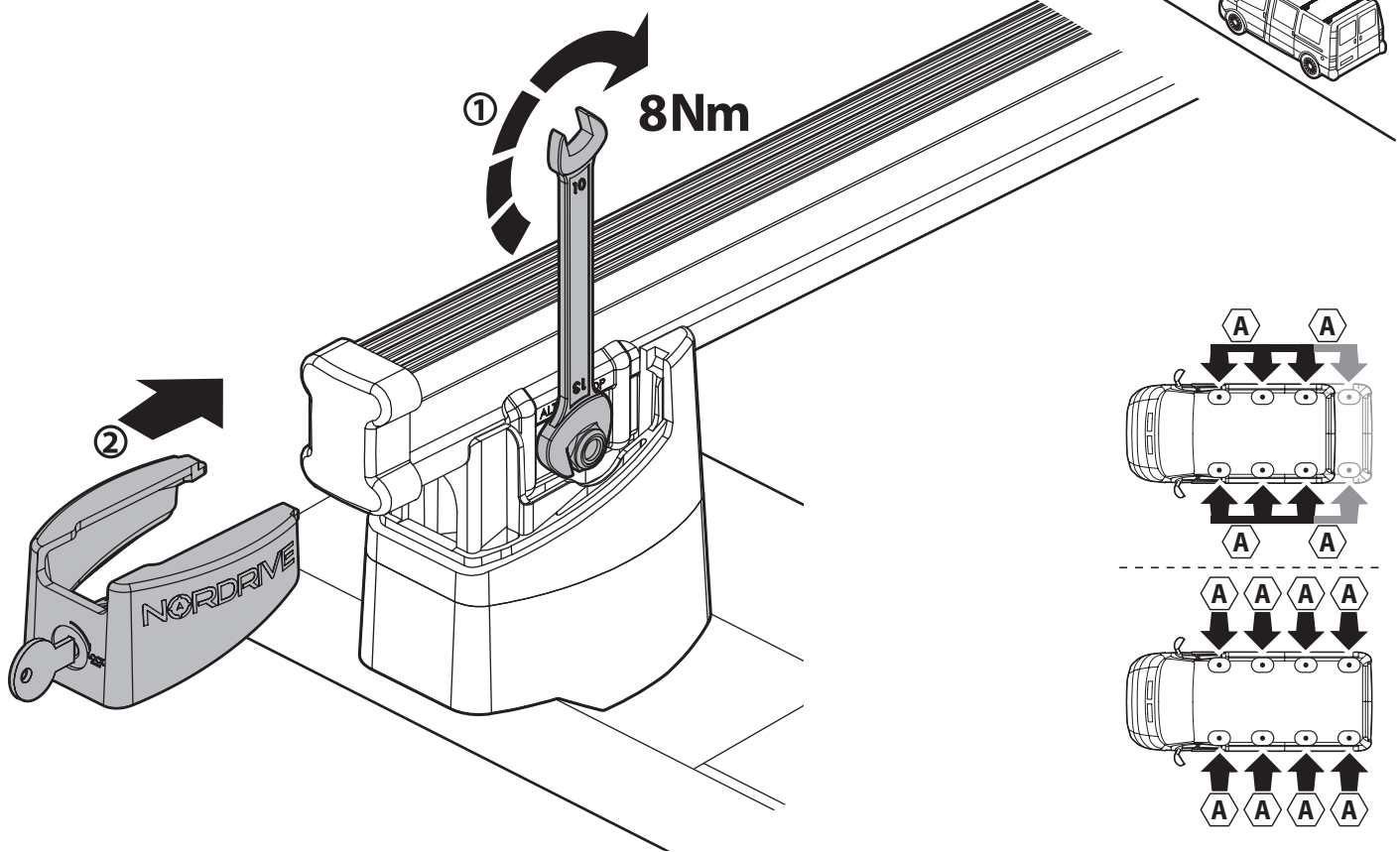


6

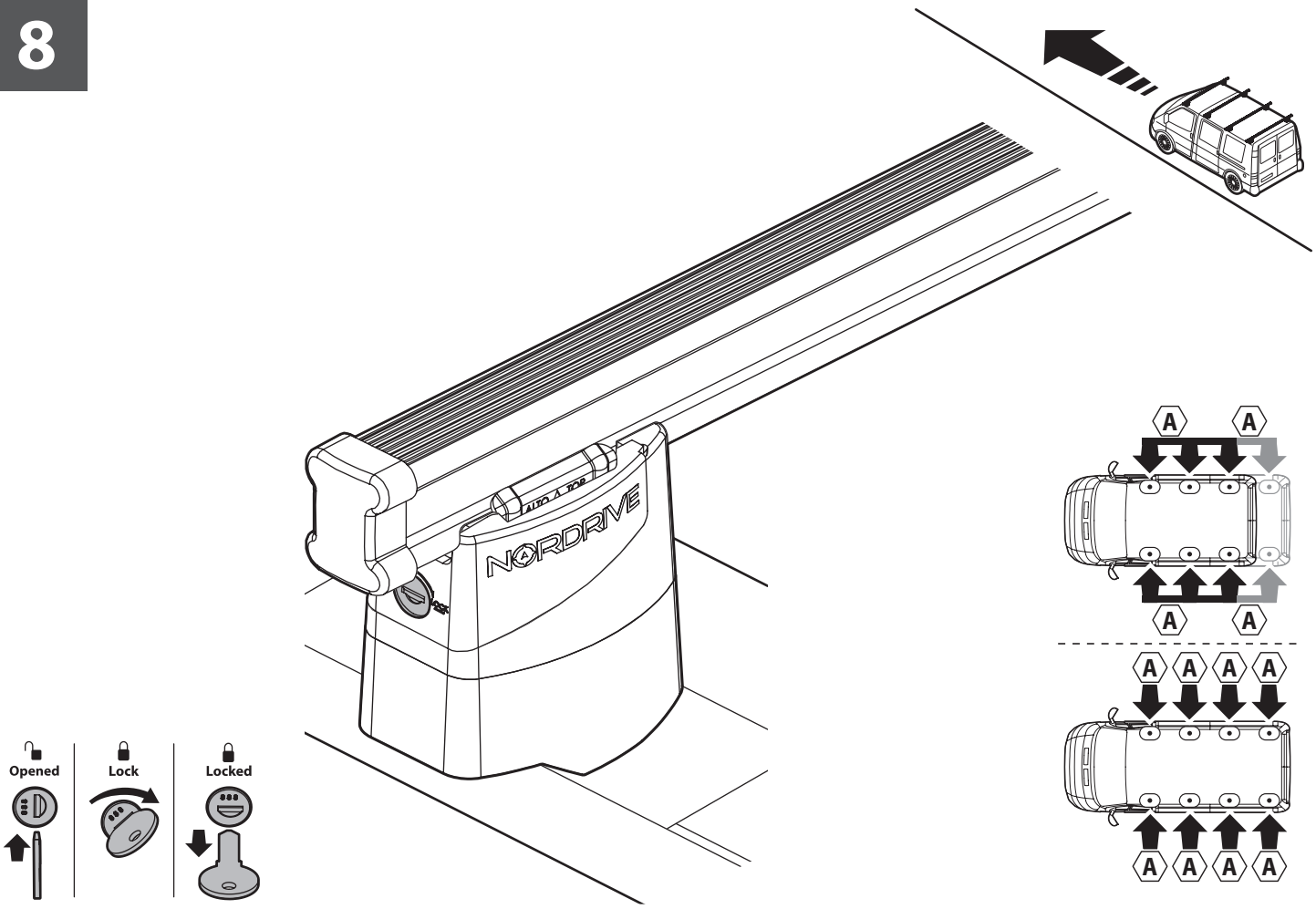




7



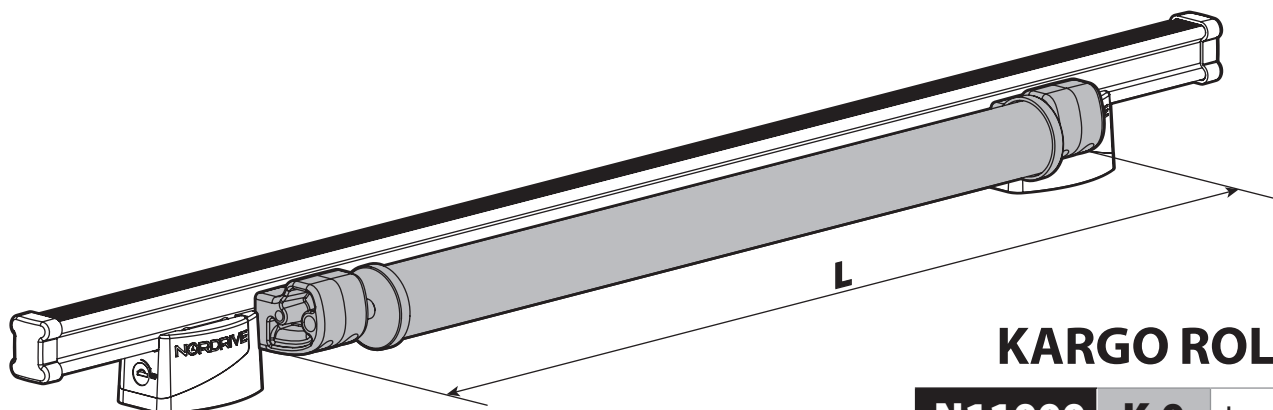
8



# Kargo series

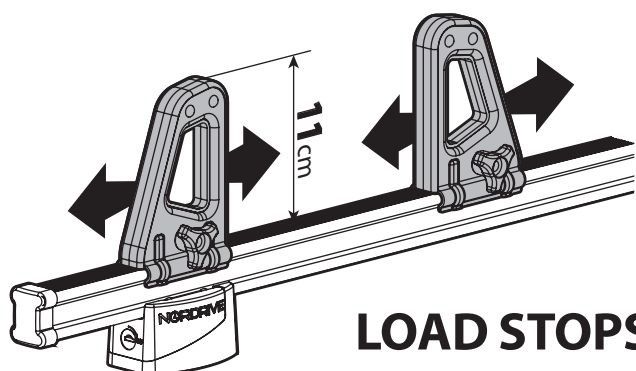


Acciaio / Steel



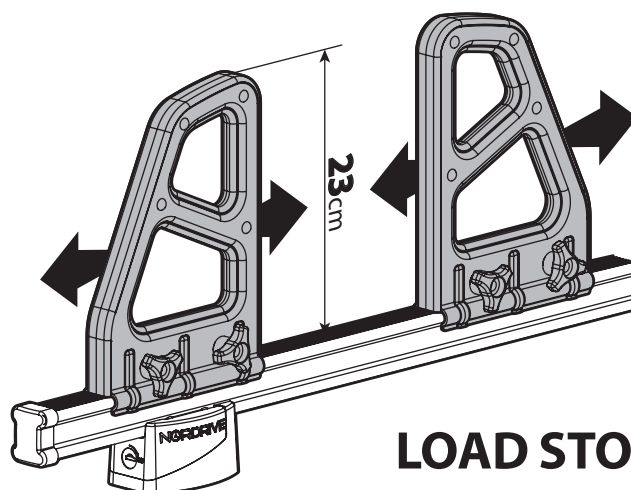
## KARGO ROLLER

<b>N11000</b>	<b>K-0</b>	L = 64 cm
<b>N11003</b>	<b>K-7</b>	L = 96 cm



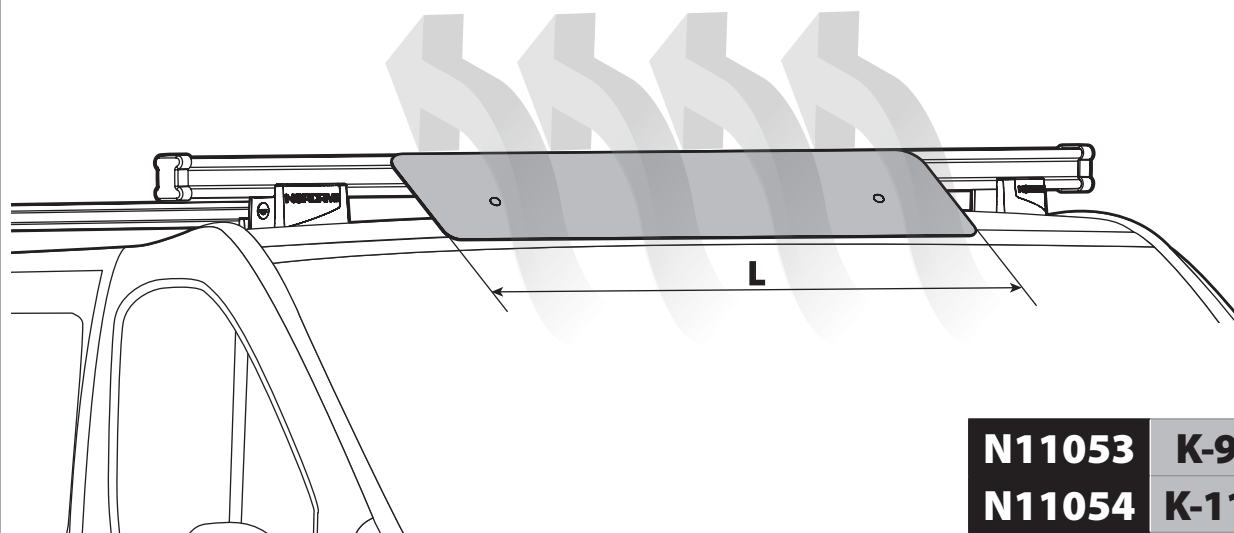
## LOAD STOPS

**N11001** K-1



## LOAD STOPS

**N11002** K-2

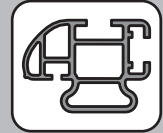


## SPOILER

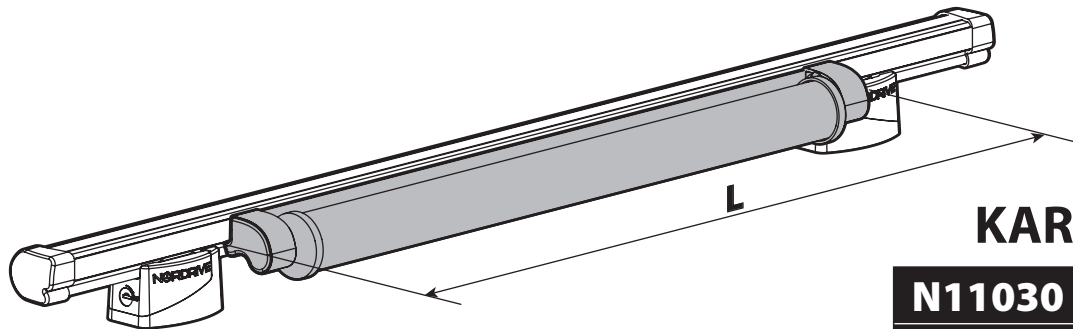
<b>N11053</b>	<b>K-9</b>	L = 95 cm
<b>N11054</b>	<b>K-11</b>	L = 110 cm

**OPTIONALS** PER / FOR / FÜR:

# Kargo-Plus series

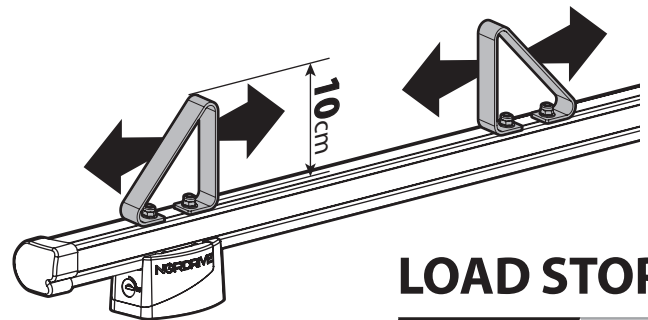
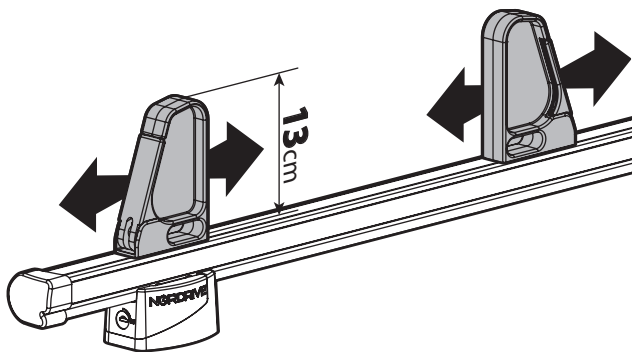


Alluminio / Aluminium



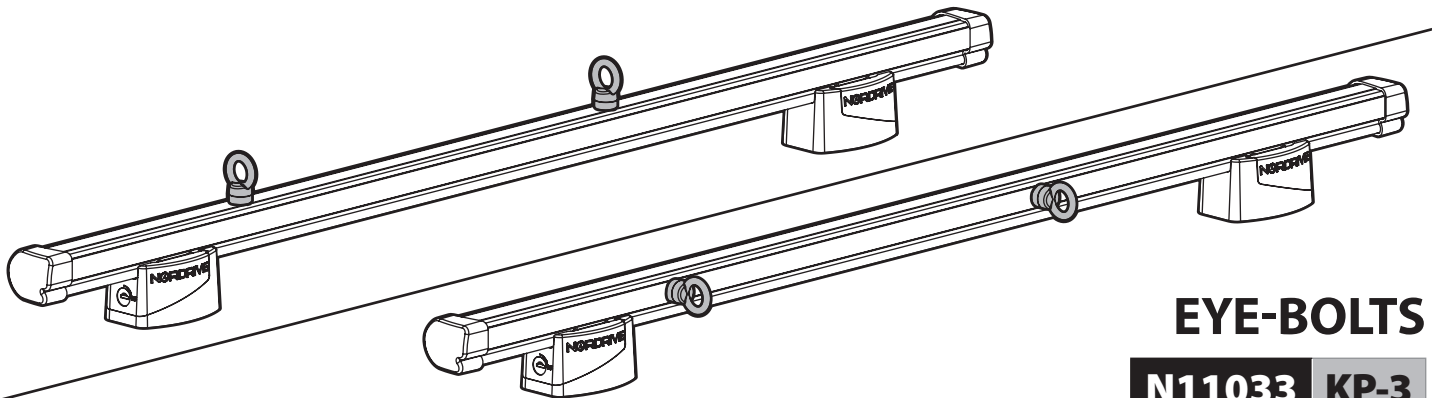
## KARGO ROLLER

<b>N11030</b>	<b>KP-0</b>	L = 64 cm
<b>N11034</b>	<b>KP-7</b>	L = 96 cm



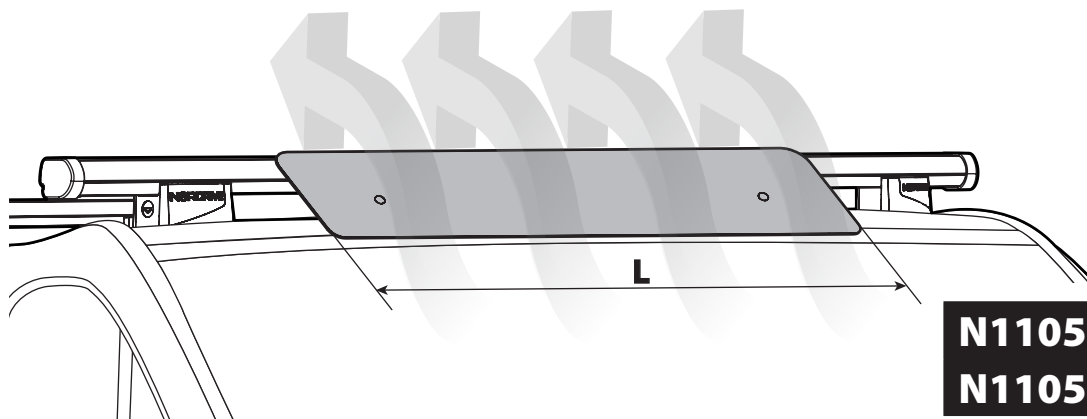
## LOAD STOPS

**N11031** KP-1



## EYE-BOLTS

**N11033** KP-3



## SPOILER

<b>N11057</b>	<b>KP-9</b>	L = 95 cm
<b>N11058</b>	<b>KP-11</b>	L = 110 cm

**OPTIONALS** PER / FOR / FÜR:

**Kargo** series



Acciaio / Steel

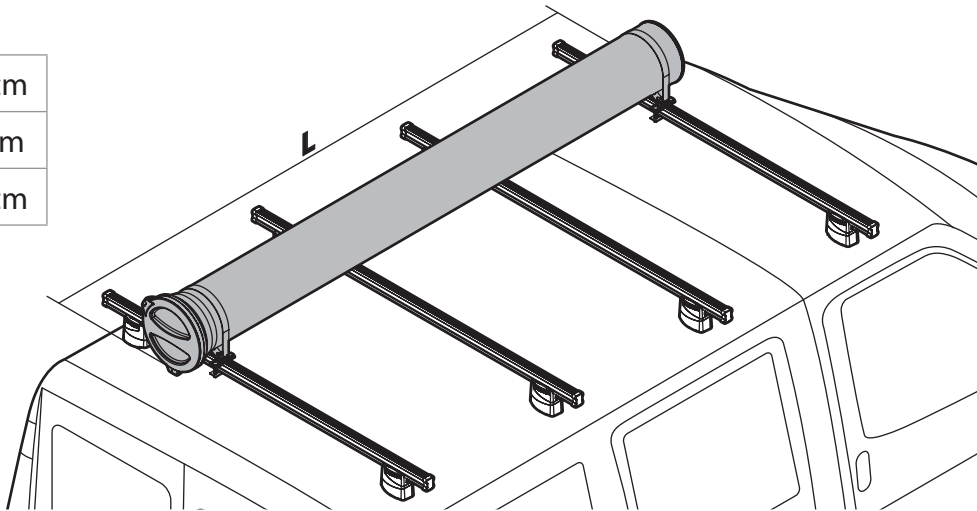
**Kargo-Plus**  
series



Alluminio / Aluminium

**KARGO-TUBE**

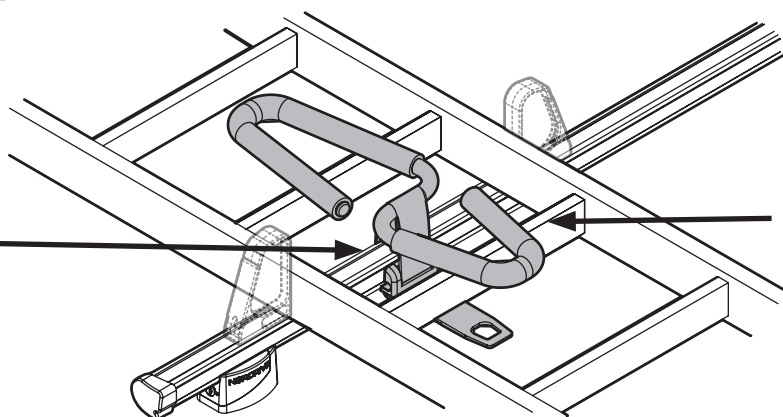
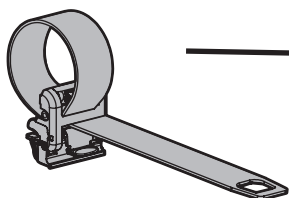
<b>N11050</b>	<b>T200</b>	L = 205 cm
<b>N11051</b>	<b>T300</b>	L = 305 cm
<b>N11052</b>	<b>T400</b>	L = 405 cm



91CA0340 T05

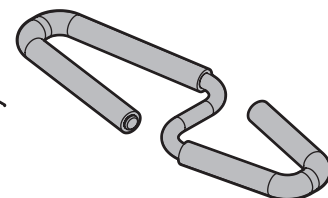
**LADDER HOLDER STRAPS**

**N11065** U-5



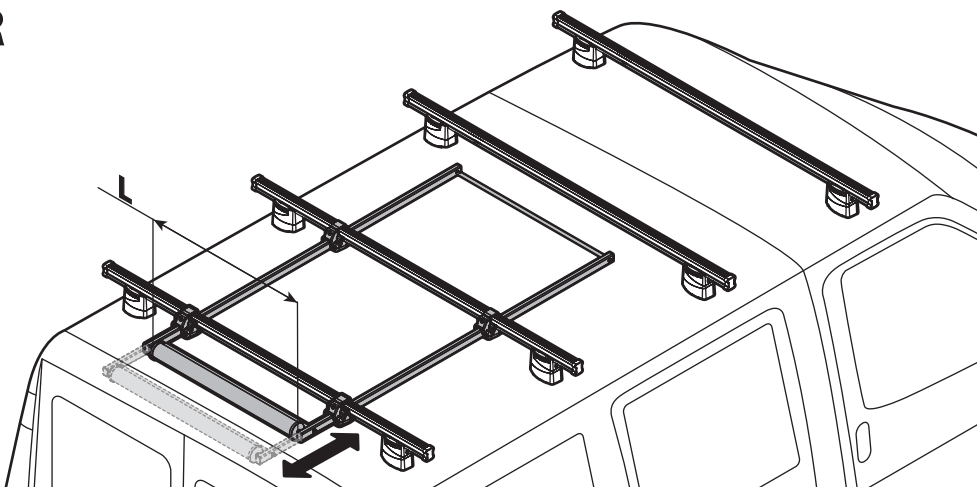
**LADDER STEP ADAPTER**

**N11067** U-6



**EXTENSION ROLLER**

<b>N11020</b>	<b>U-0</b>	L = 64 cm
<b>N11021</b>	<b>U-7</b>	L = 96 cm



- (I) Lotto di produzione da comunicare per eventuali ricambi
- (GB) Production lot number to be communicated for any spare parts
- (F) Lot de production à communiquer pour toute pièce de rechange
- (D) Produktionscharge für eventuelle Ersatzteile
- (E) Lote de producción a comunicar por cualquier repuesto

**Lot.**

**NORDRIVE®**  
TRANSPORT SOLUTIONS

NORDRIVE® is a registered trademark of  
**LAMPA S.p.A.**  
Via G. Rossa 53/55, 46019 Viadana (MN) ITALY  
Tel. +39 0375 820700  
UNI EN ISO 9001:2008 Certified Company  
[www.nordrive.it](http://www.nordrive.it)  
[www.lampa.it](http://www.lampa.it)

91CA0344 r06