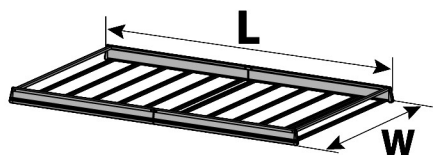


# KARGO RACK

SET x1

EXTENDED



Art.	L	W
N10124	280cm	180cm
N10127	340cm	145cm
N10128	340cm	180cm
N10131	380cm	180cm



- ⓘ CESTA PORTATUTTO
- Ⓒ ROOF CARRIER
- Ⓕ GALERIE POUR FOURGON
- Ⓓ DACHKORB
- Ⓔ PORTAEQUIPAJES PARA FURGONETA

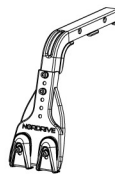


- ⓘ ADATTA PER
- Ⓒ SUITABLE FOR
- Ⓕ INDIQUÉ POUR
- Ⓓ GEEIGNET FÜR
- Ⓔ ADECUADA PARA

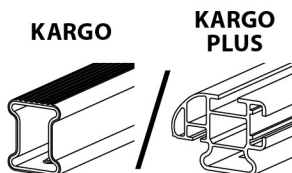
**NORDRIVE  
KARGO SERIES**



- ⓘ ATTACCHI SPECIFICI PER VEICOLI CON PREDISPOSIZIONE
- Ⓒ FOR VEHICLES WITH BUILT-IN FIX POINTS
- Ⓕ CONNEXIONS SPÉCIFIQUES POUR DES VÉHICULES AVEC PREDISPOSITION
- Ⓓ FÜR FAHRZEUGE MIT VORHANDENEN BEFESTIGUNGSPUNKTEN
- Ⓔ CONEXIONES PARA VEHÍCULOS CON PREDISPOSICIÓN ESPECÍFICA



- ⓘ KIT PIEDI PER VEICOLI CON GRONDINE
- Ⓒ FOOT KIT FOR VEHICLES WITH RAIN GUTTERS
- Ⓕ KIT PIEDS POUR VÉHICULES AVEC GOUTTIÈRE
- Ⓓ FUB-KIT FÜR FAHRZEUGE MIT REGENRINNE
- Ⓔ KIT CONEXIONES PARA VEHÍCULOS CON VIERTEGUAS



- ⓘ BARRE KARGO E KARGO-PLUS
- Ⓒ KARGO AND KARGO-PLUS BARS
- Ⓕ BARRES KARGO ET KARGO-PLUS
- Ⓓ DACH-LASTENTRÄGER KARGO UND KARGO-PLUS
- Ⓔ BARRES KARGO Y KARGO-PLUS

- |                              |                            |
|------------------------------|----------------------------|
| ⓘ ISTRUZIONI DI MONTAGGIO    | Ⓔ INSTRUKCJA MONTAŻU       |
| Ⓒ FITTING INSTRUCTIONS       | Ⓔ Инструкции по установке  |
| Ⓕ INSTRUCTIONS DE MONTAGE    | Ⓒ NÁVOD NA MONTÁŽ          |
| Ⓓ MONTAGEANLEITUNG           | Ⓒ NÁVOD NA MONTÁŽ          |
| Ⓔ ISTRUCCIONES DE MONTAJE    | Ⓒ NAVODILA ZA PRITRJEVANJE |
| Ⓒ INSTRUÇÕES DE MONTAGEM     | Ⓒ UPUTA ZA SASTAVLJANJE    |
| Ⓒ MONATGE-INSTRUCTIES        | Ⓒ A FELSZERELÉS MÓDJA      |
| Ⓒ MONTERINGSANVISNING        | Ⓒ Οδηγίες συναρμολόγησης   |
| Ⓒ ASENNUSOHJE                | Ⓒ MONTAJ TALIMATLARL       |
| Ⓒ PAIGALDUSJUHEND            | Ⓒ ИНСТРУКЦИЈА ЗА МОНТАЖ    |
| Ⓒ STIPRIŃAŠANAS INSTRUKCIJA  | Ⓒ UPUTSTVA ZA MONTAŽU      |
| Ⓒ PRITVIRTINIMO INSTRUKCIJOS |                            |

**NORDRIVE**<sup>®</sup>  
TRANSPORT SOLUTIONS



**x1**

**MANUAL**

**x16**

**D** 40FE0206

**x4**

**A**

21AL0001	L = <b>140</b> cm
21AL0002	L = <b>170</b> cm
21AL0003	L = <b>190</b> cm

<b>N10124</b>	<b>x10</b>	→ 20FE0025	P = <b>180</b> cm
<b>N10127</b>	<b>x14</b>	→ 20FE0024	P = <b>145</b> cm
<b>N10128</b>	<b>x14</b>	→ 20FE0025	P = <b>180</b> cm
<b>N10131</b>	<b>x18</b>		

**B**

**x2**

**C**

20FE0027	P = <b>145</b> cm
20FE0028	P = <b>180</b> cm

**x2**

**E** 55PL0002

**x2**

**F** 12AL0001

**x2**

**G** 78AL0001

**x2**

**H** 75PL0020

**x2**

**I** 75PL0020

<b>N10124</b>	<b>x20</b>
<b>N10127</b>	<b>x28</b>
<b>N10128</b>	<b>x28</b>
<b>N10131</b>	<b>x36</b>

**J** 78FE0007

**x4**

16 mm

M6x16  
**K** 60BE6016

<b>N10124</b>	<b>x24</b>
<b>N10127</b>	<b>x32</b>
<b>N10128</b>	<b>x32</b>
<b>N10131</b>	<b>x40</b>

30 mm

**L** 60BE6030

**x4**

16 mm

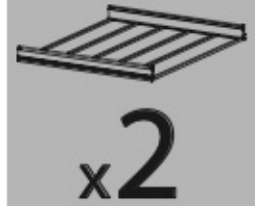
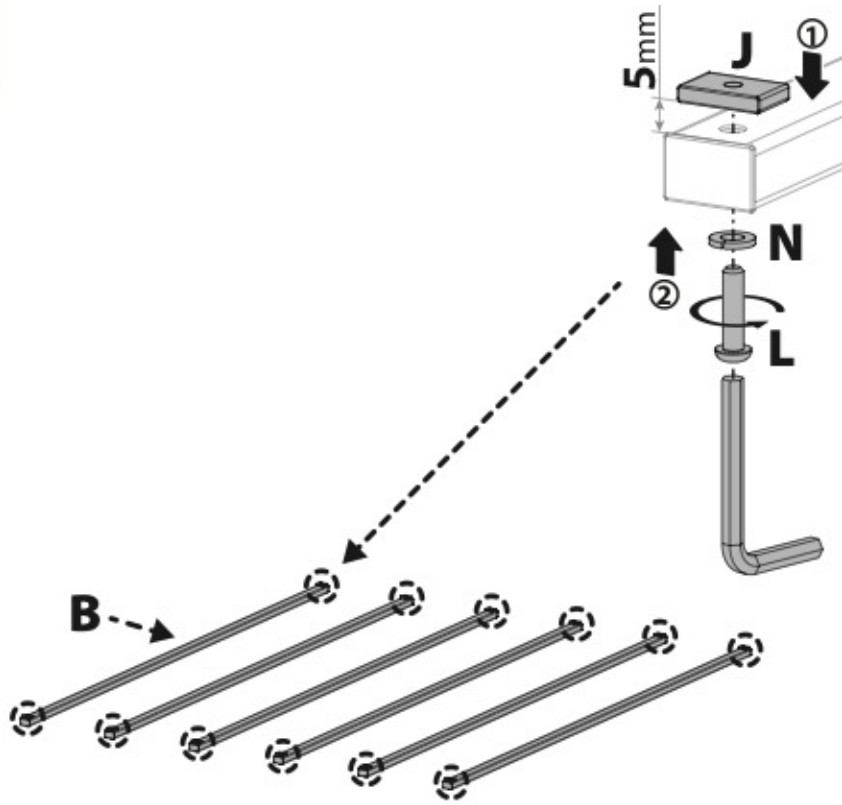
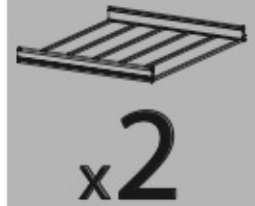
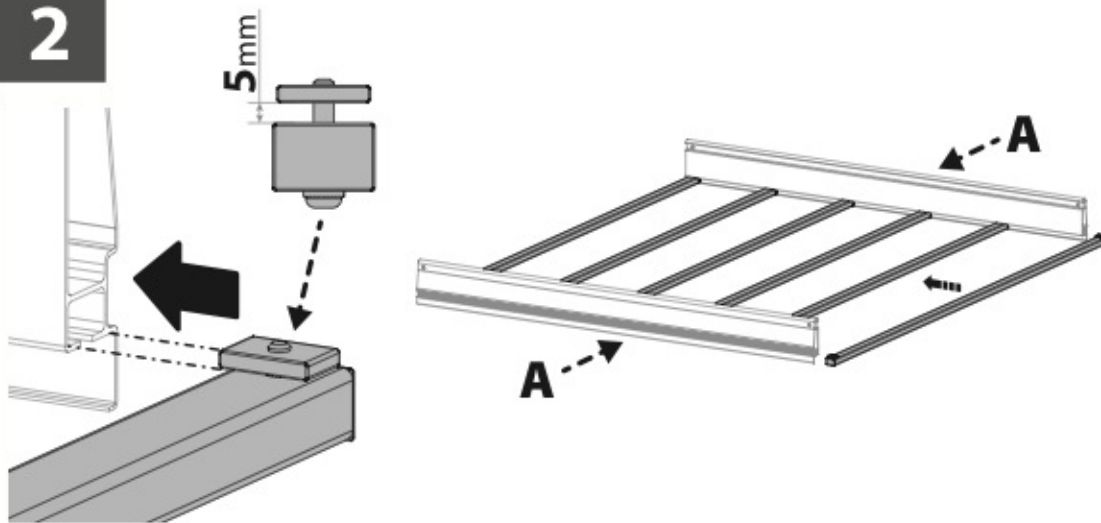
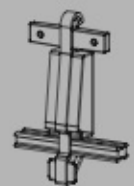
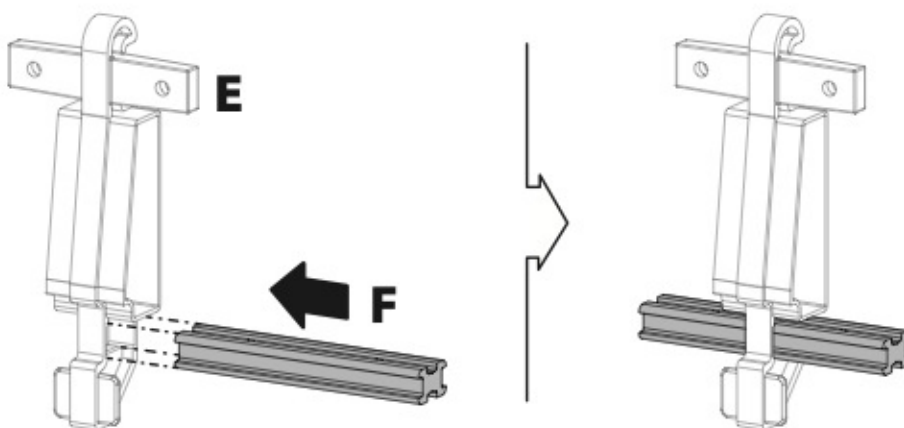
M6x16  
**M** 60EF6016

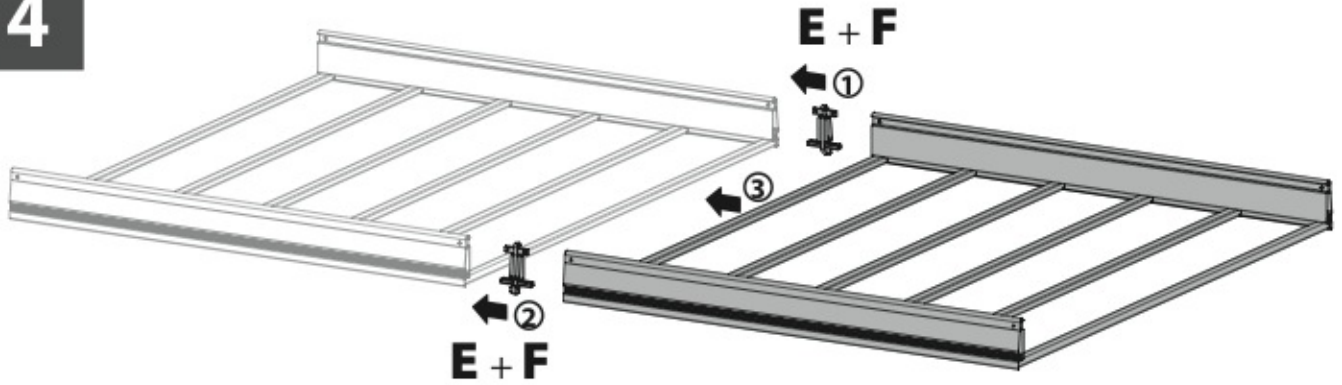
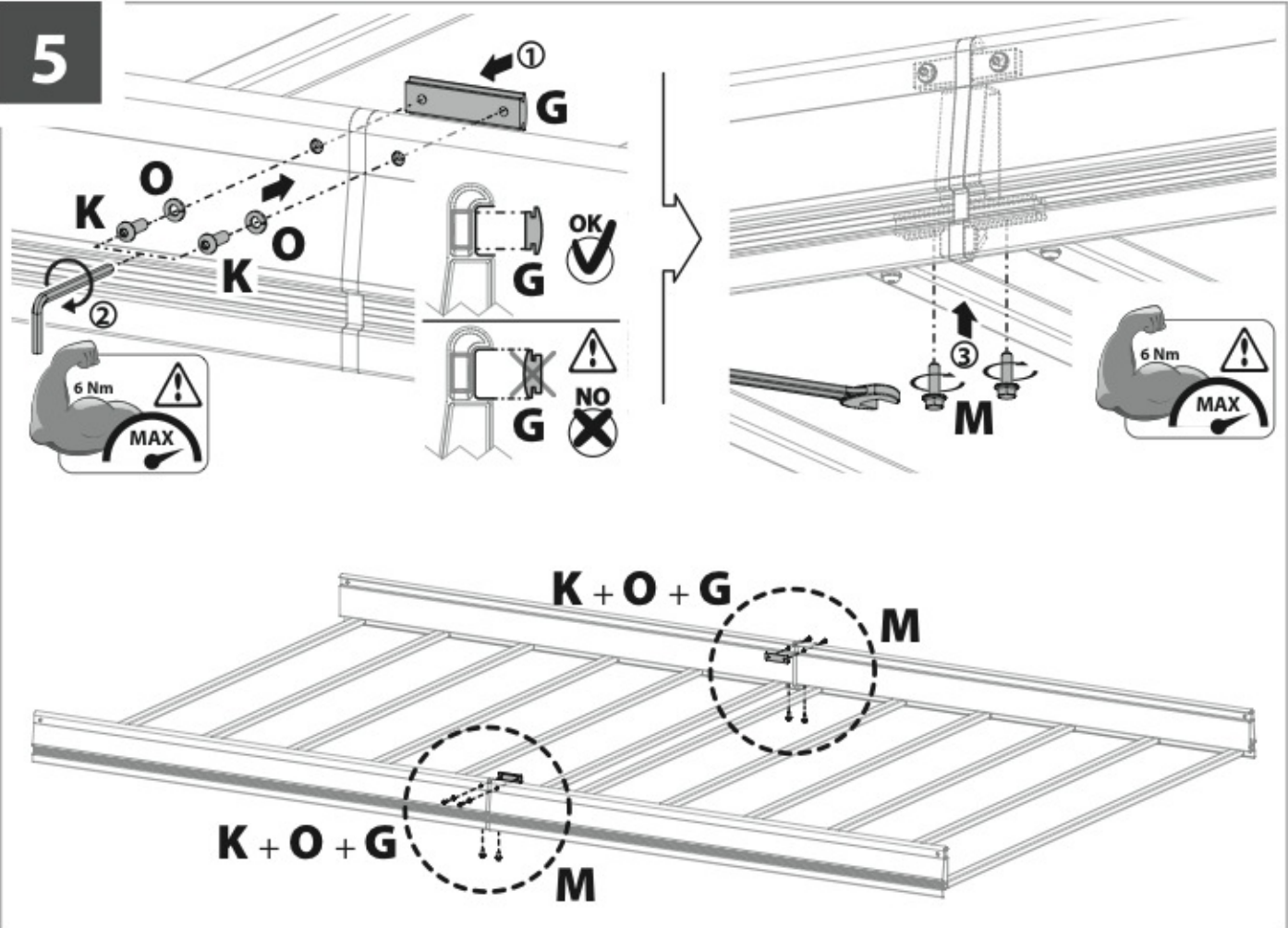
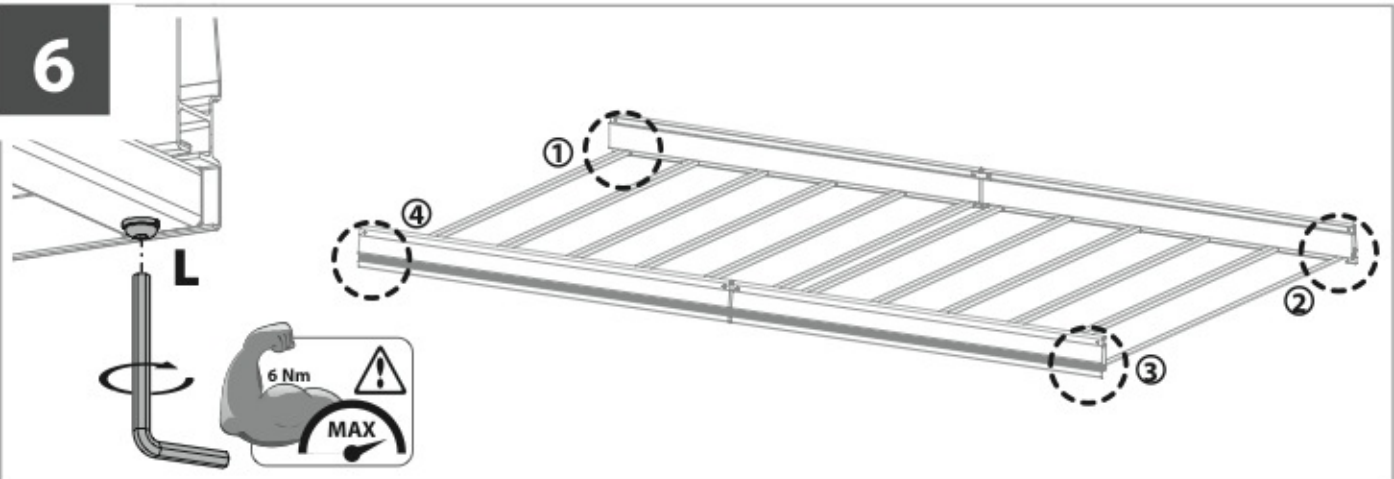
<b>N10124</b>	<b>x24</b>
<b>N10127</b>	<b>x32</b>
<b>N10128</b>	<b>x32</b>
<b>N10131</b>	<b>x40</b>

**N** 61ES0610

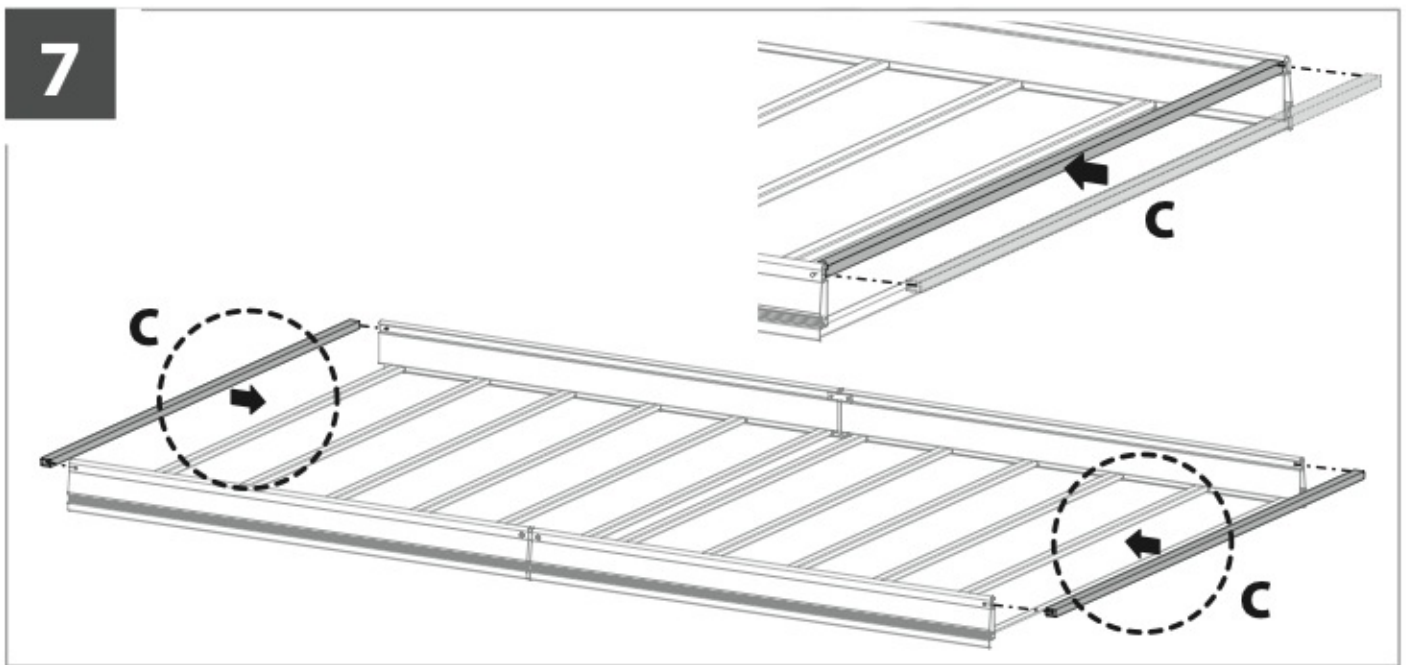
**x4**

**O** 61FN0612

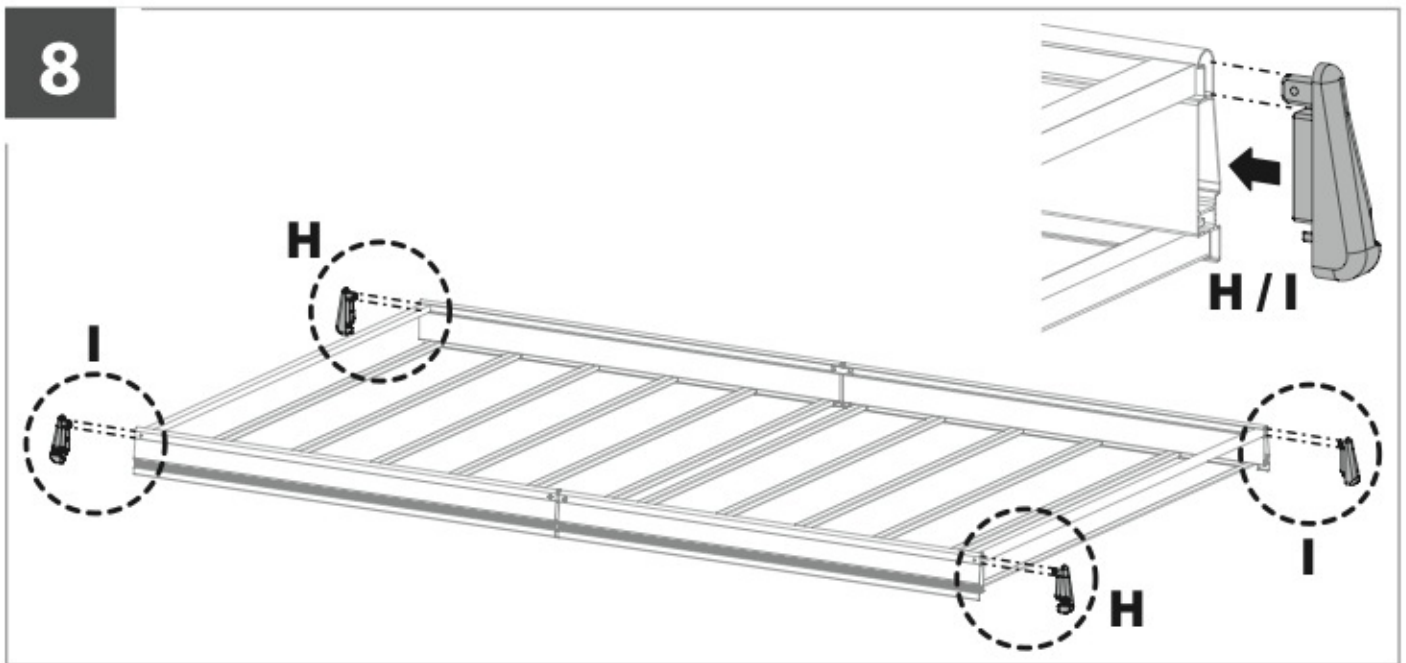
**1****x2****2****x2****3****x2**

**4****5****6**

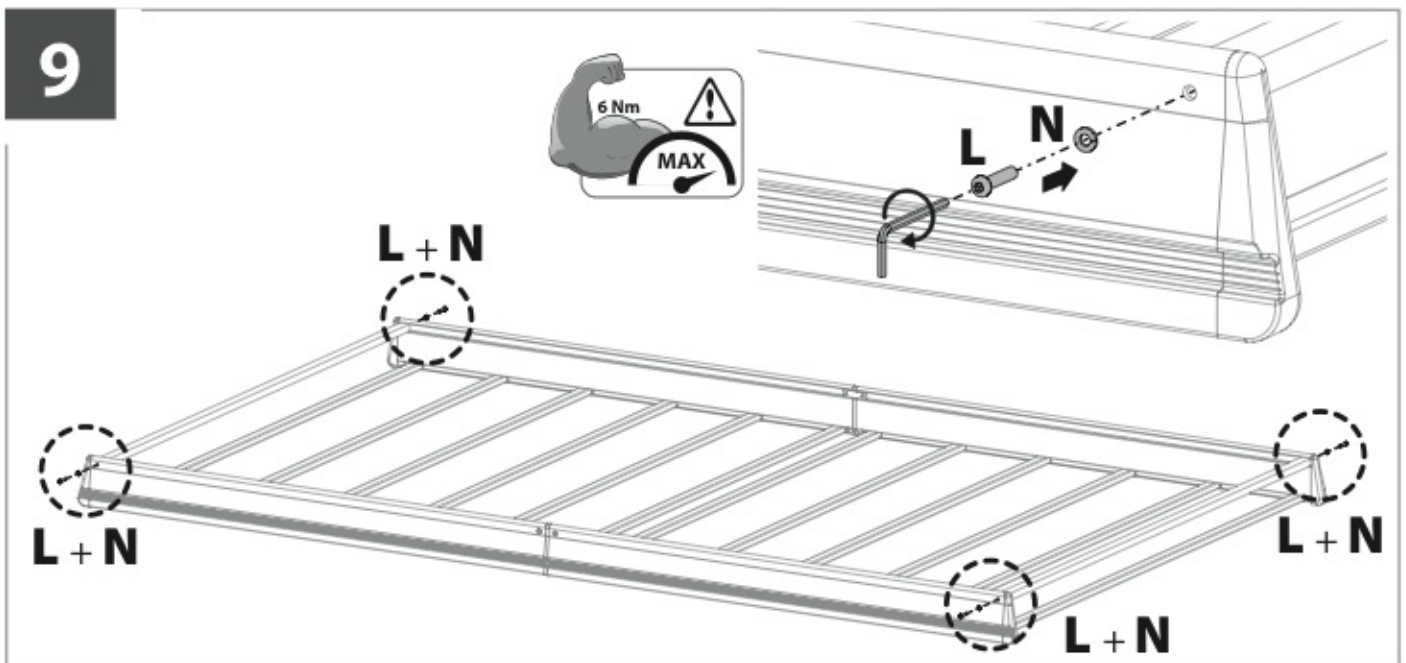
7



8

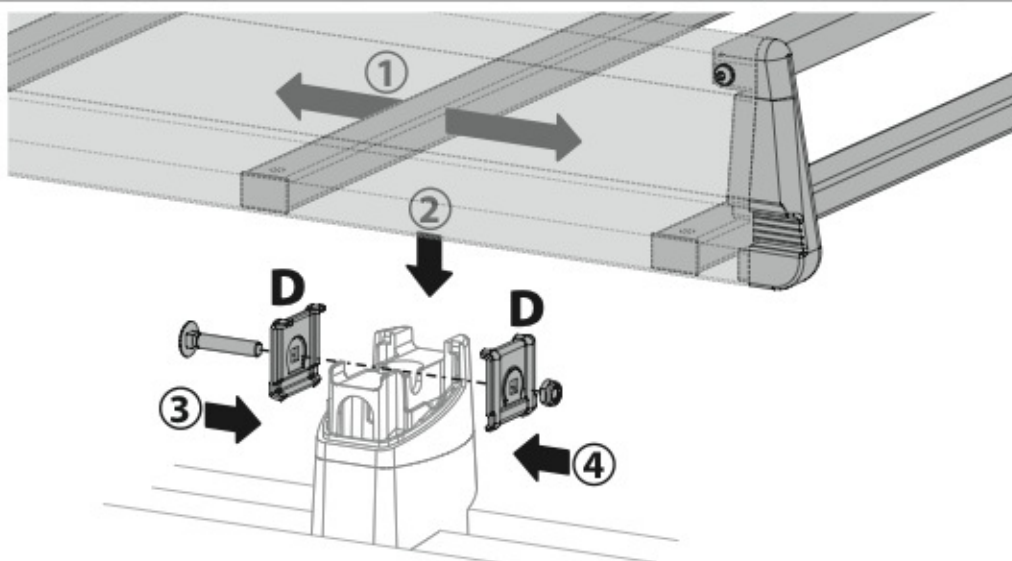
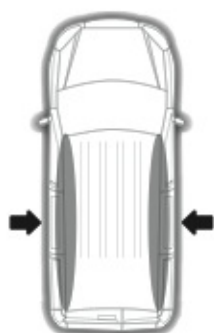
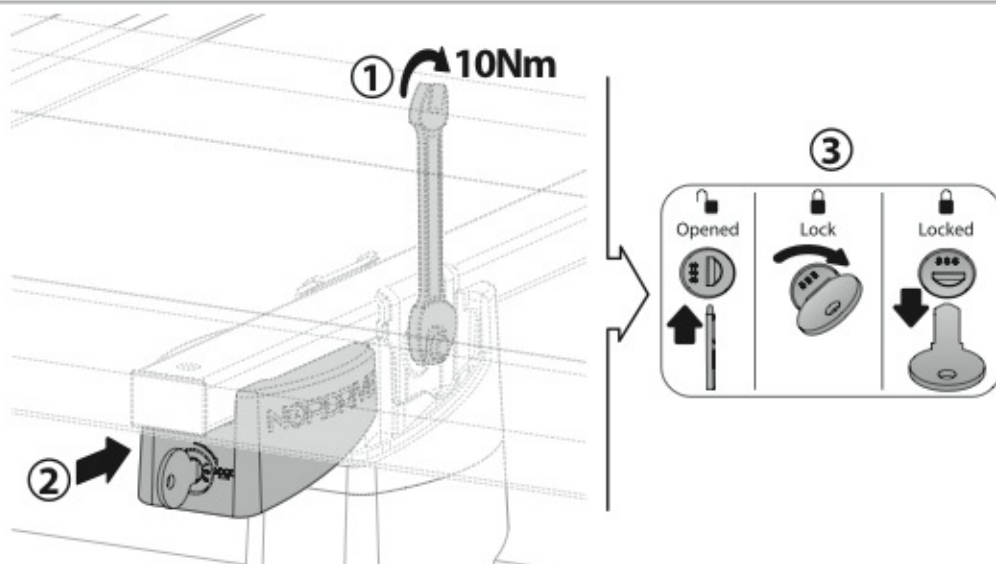
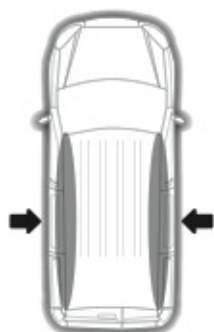
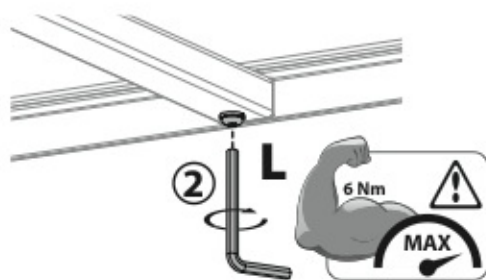
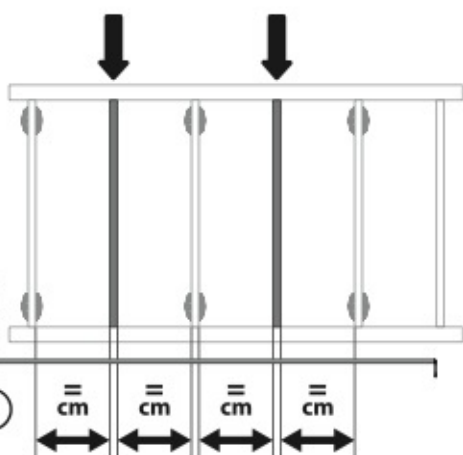


9



**A**

MONTAGGIO DIRETTO  
SUI KIT PIEDI SPECIFICI  
DIRECTLY ON FOOT KITS  
BEFESTIGUNGSFÜSSE

**10A****11A****12A****1**

**B**

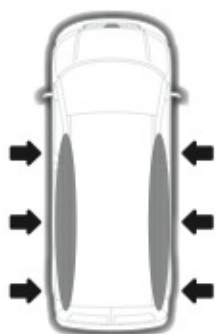
Richiesto  
Required  
Erforderlich  
+ Art. N99978



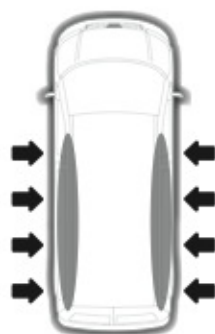
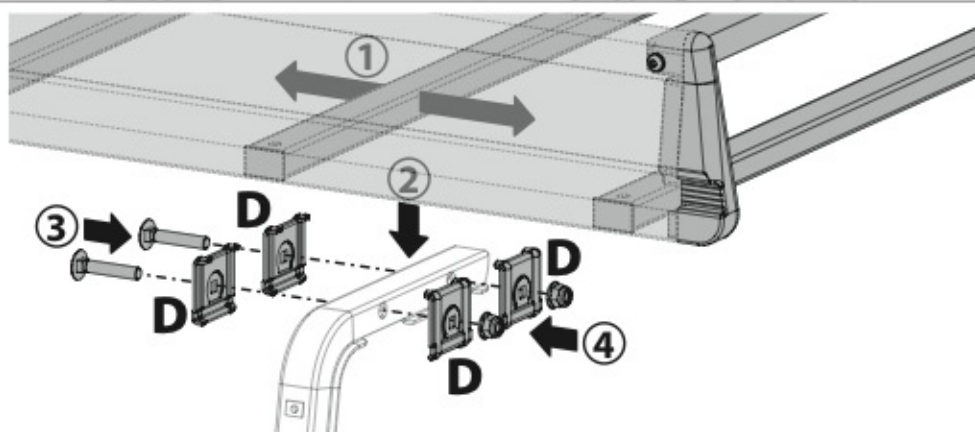
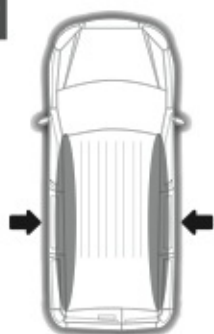
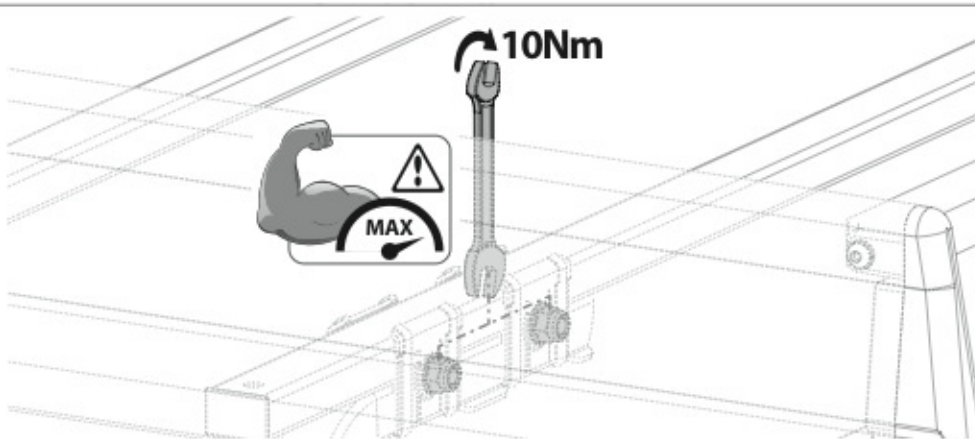
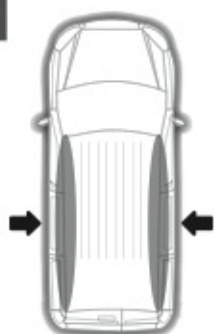
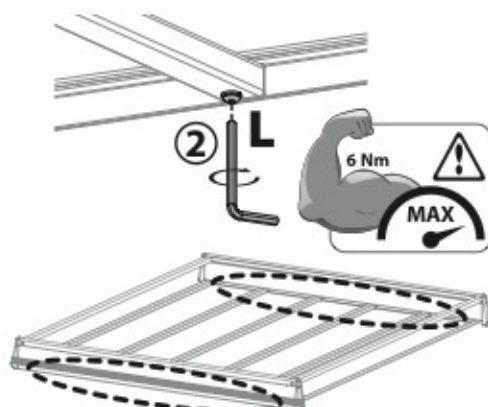
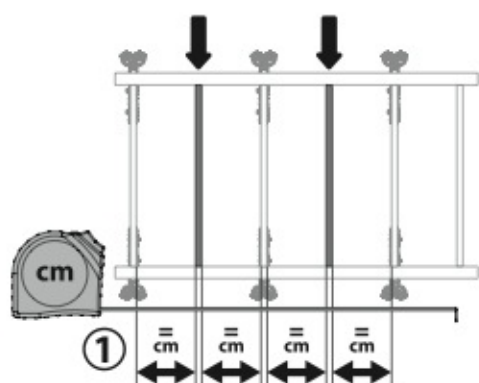
MONTAGGIO DIRETTO  
SUI KIT PIEDI  
GRONDINA  
DIRECTLY ON RAIN  
GUTTER FEET  
BEFESTIGUNG  
REGENRINNE KIT

**6**

PIEDI  
BARS  
REGENRINNE

**8**

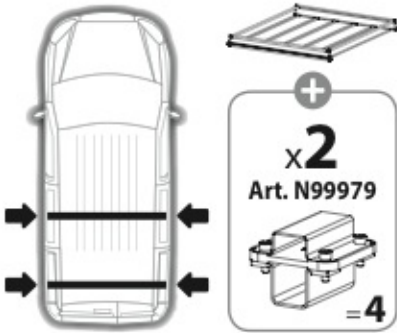
PIEDI  
BARS  
REGENRINNE

**10<sub>B</sub>****11<sub>B</sub>****12<sub>B</sub>**

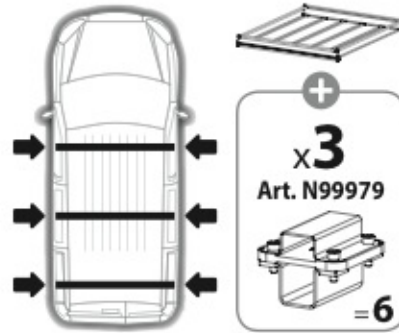
**C**

MONTAGGIO DIRETTO  
SULLE BARRE KARGO  
ACCIAIO  
DIRECTLY ON KARGO  
STEEL BARS  
BEFESTIGUNG AUF  
KARGOTRÄGER

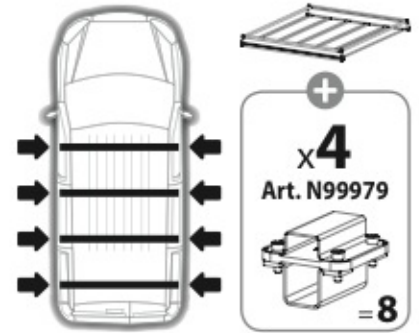
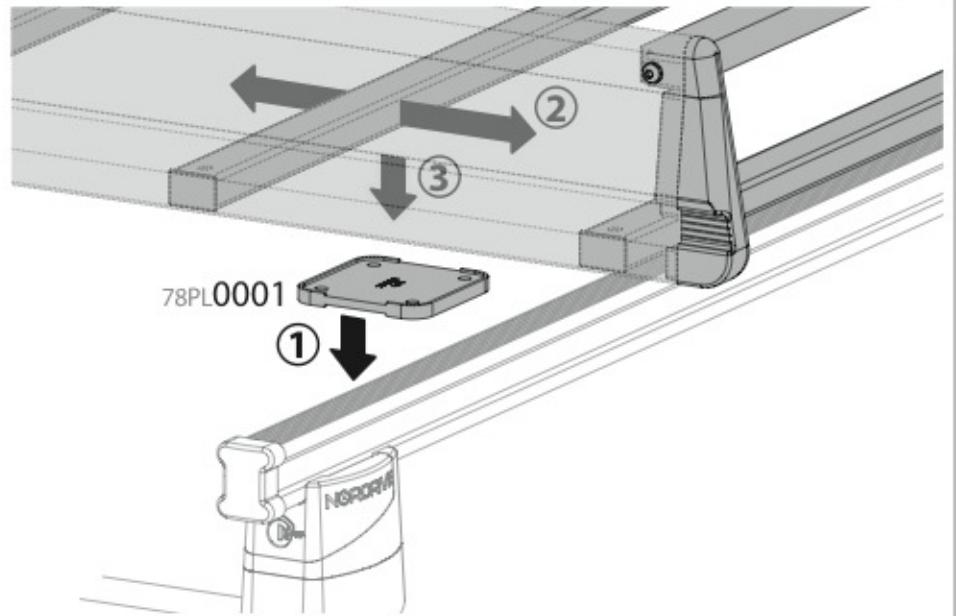
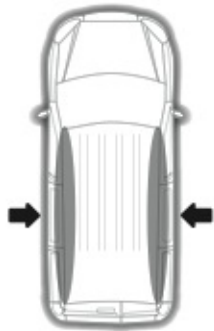
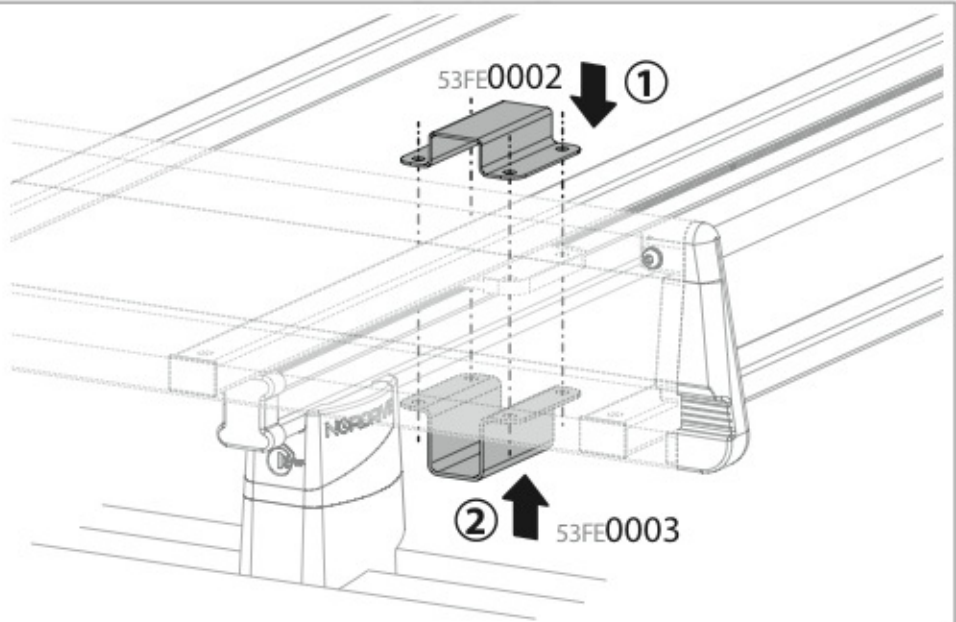
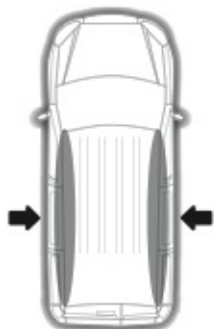
## 2 BARRE BARS - DACHTRÄGER



## 3 BARRE BARS - DACHTRÄGER

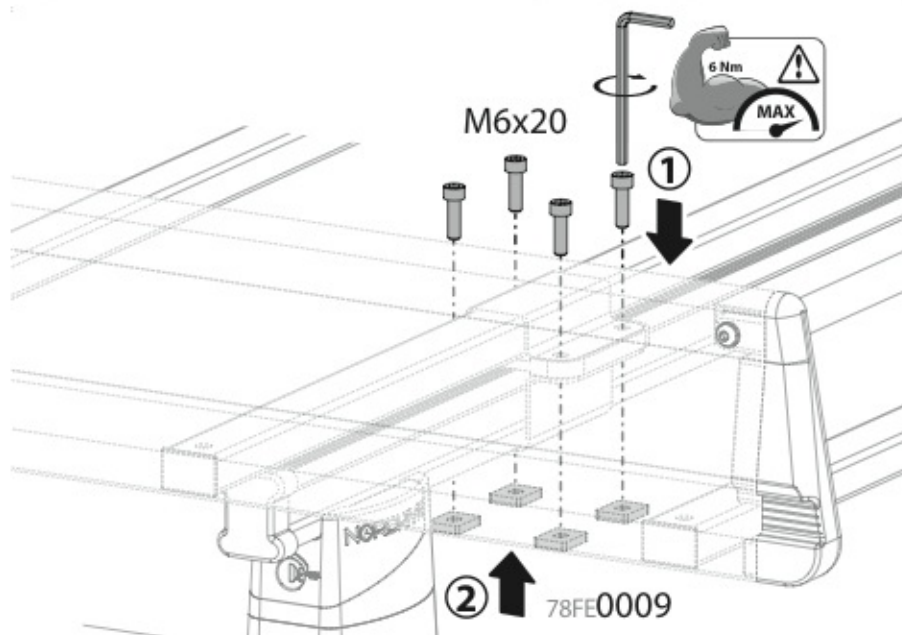
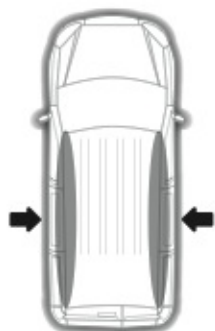


## 4 BARRE BARS - DACHTRÄGER

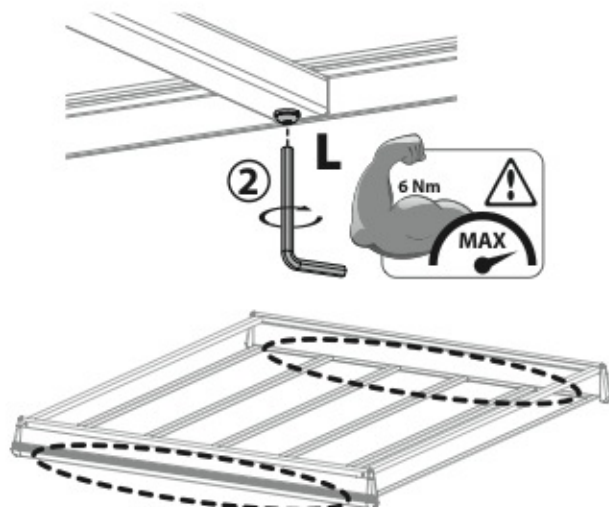
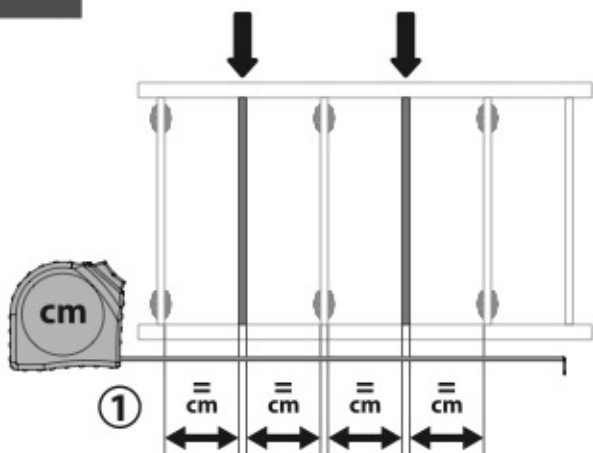
**10c****11c**



12c



13c



**D**

Richiesto  
Required  
Erforderlich  
+ Art. N99979

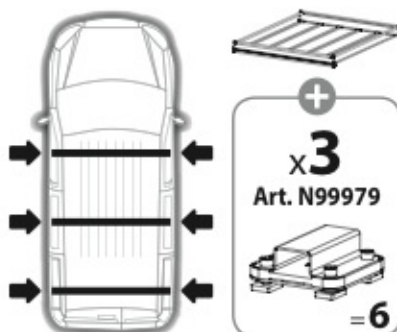


MONTAGGIO DIRETTO  
SULLE BARRE KARGO-PLUS  
ALLUMINIO  
DIRECTLY ON KARGO-PLUS  
ALUMINIUM BARS  
BEFESTIGUNG AUF  
KARGOTRÄGER

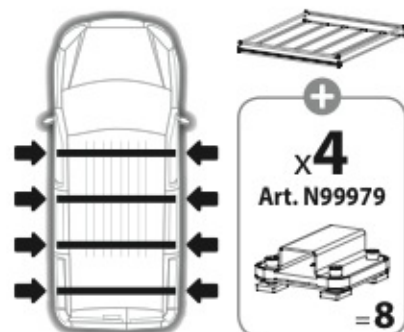
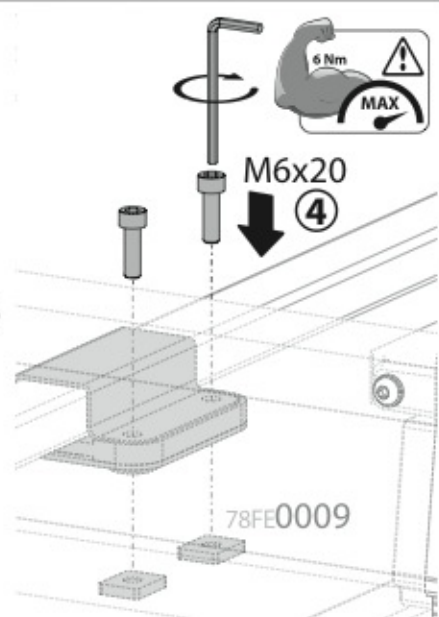
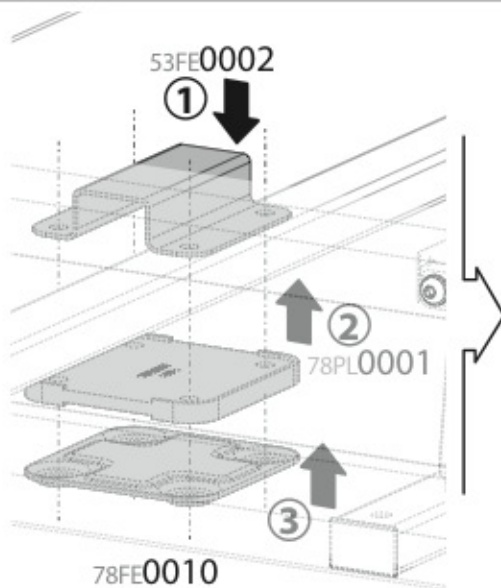
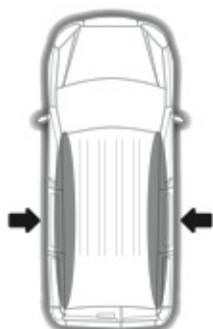
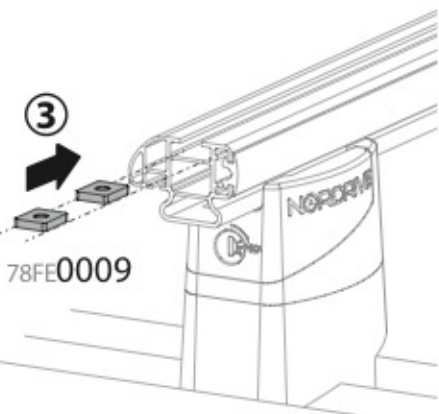
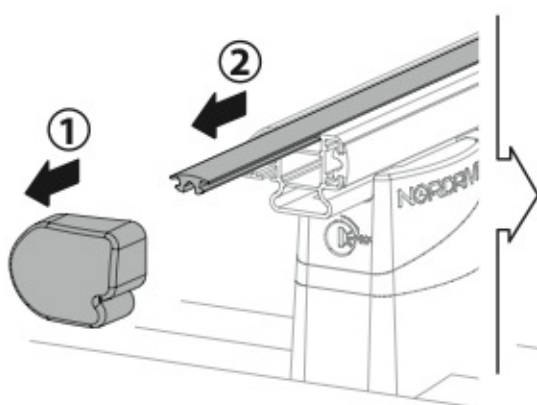
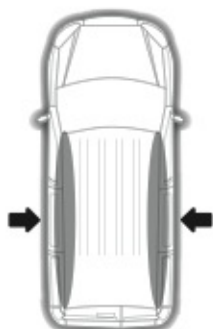
## 2 BARRE BARS - DACHTRÄGER

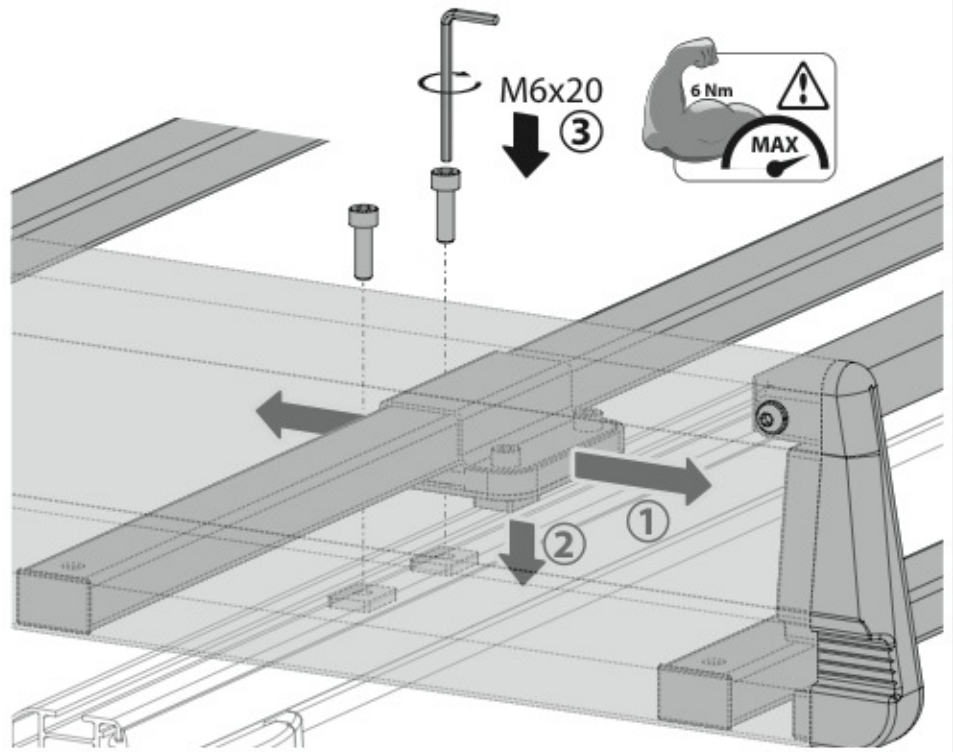
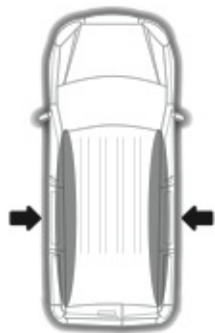
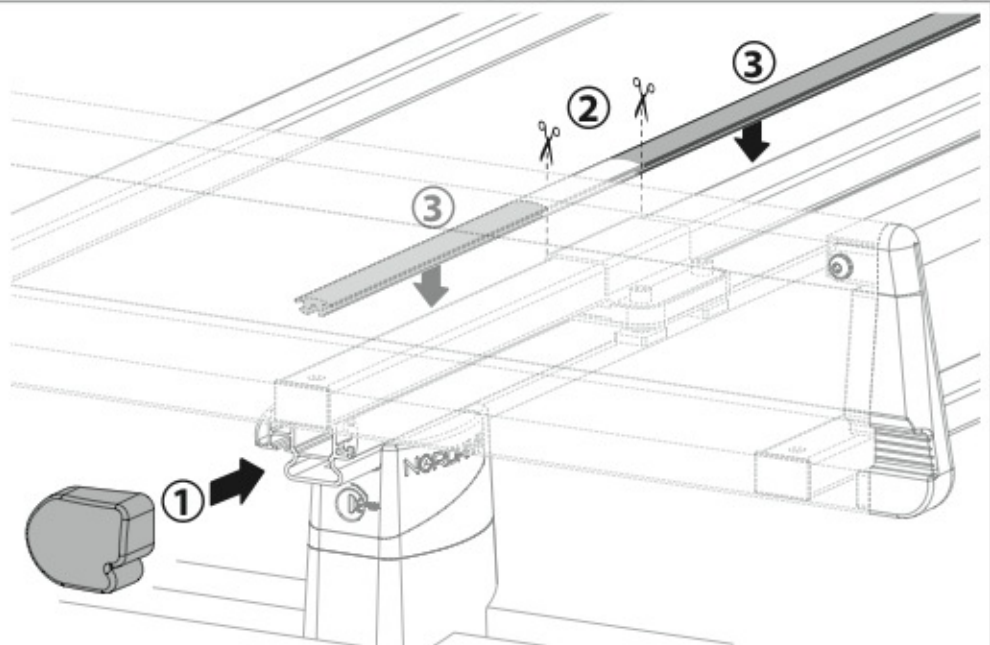
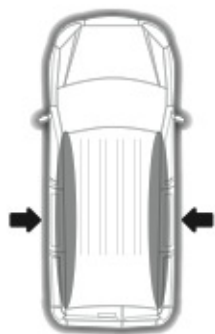
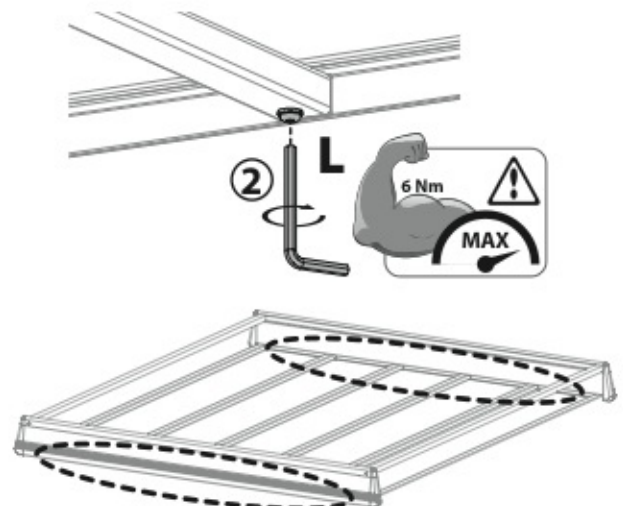
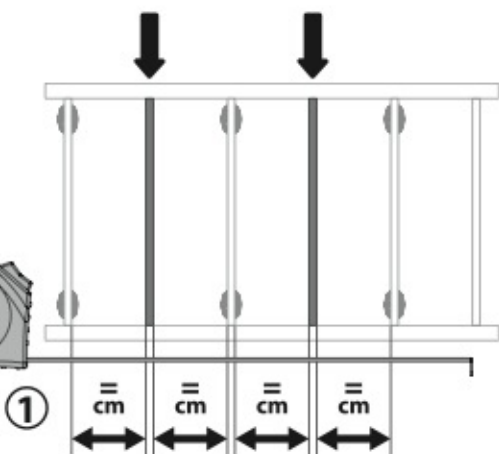


## 3 BARRE BARS - DACHTRÄGER



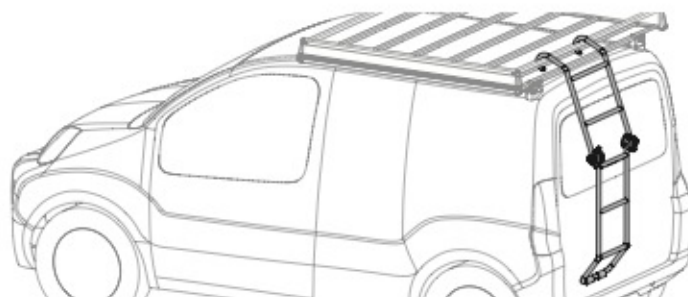
## 4 BARRE BARS - DACHTRÄGER

**10<sub>D</sub>****11<sub>D</sub>**

**12<sub>D</sub>****13<sub>D</sub>****14<sub>D</sub>**

# OPTIONALS

## SCALETTA RIPIEGHEVOLE IN ACCIAIO FOLDABLE STEEL LADDER



- ① BARRE KARGO
- Ⓞ KARGO BARS
- Ⓧ DACH-LASTENTRÄGER KARGO

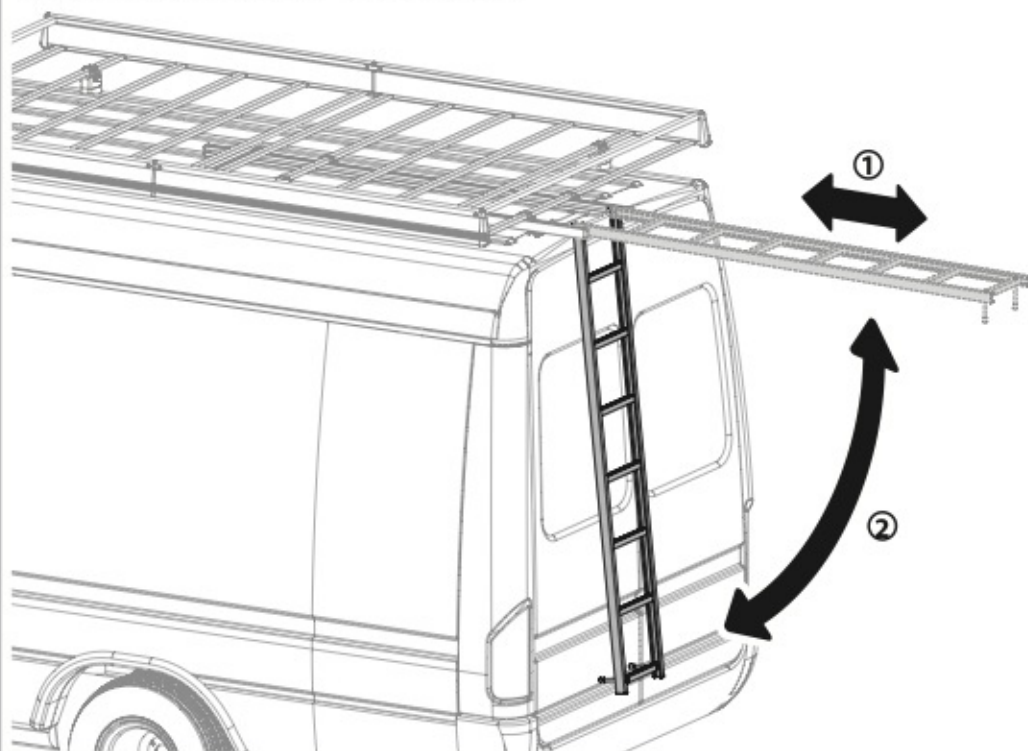
- ① BARRE KARGO-PLUS
- Ⓞ KARGO-PLUS BARS
- Ⓧ DACH-LASTENTRÄGER KARGO-PLUS

- ① CESTA PORTATUTTO
- Ⓞ ROOF CARRIER
- Ⓧ DACHKORB



**N11091 U-10**

## SCALETTA IN ALLUMINIO ALUMINIUM LADDER



- ① CESTA PORTATUTTO
- Ⓞ ROOF CARRIER
- Ⓧ DACHKORB



**N11092 C-1**

# NORDRIVE®

TRANSPORT SOLUTIONS

[www.nordrive.it](http://www.nordrive.it)

is a registered trade mark of  
**LAMPA S.p.A.**  
 46019 Viadana (MN) ITALY  
 Ditta certificata UNI EN ISO 9001:2008  
[www.lampa.it](http://www.lampa.it)