

VOLKSWAGEN Golf VIII

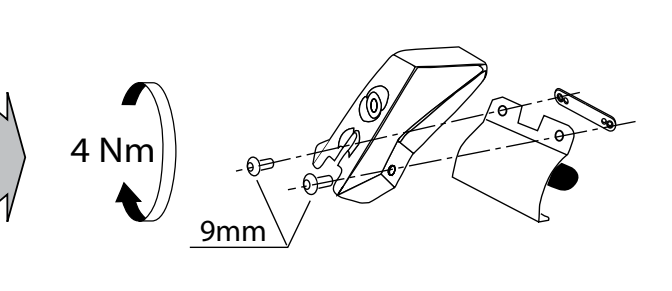
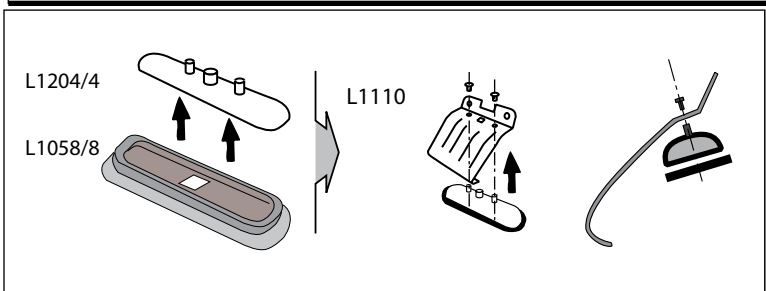
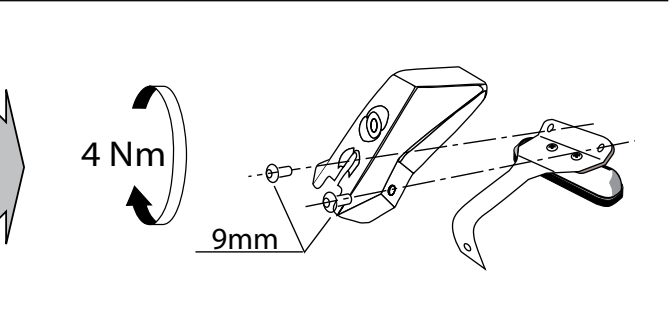
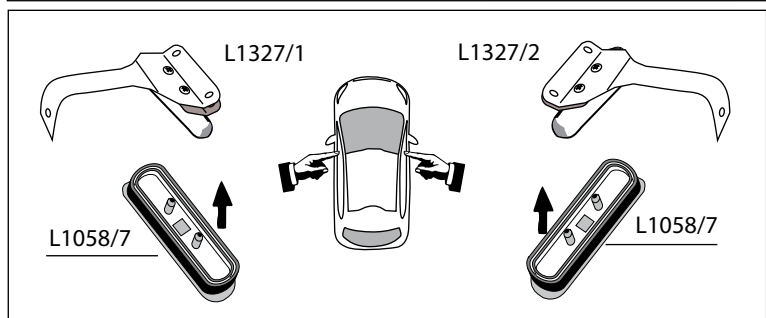
5 porte 2019

Patent pending
MOCSKT 0425

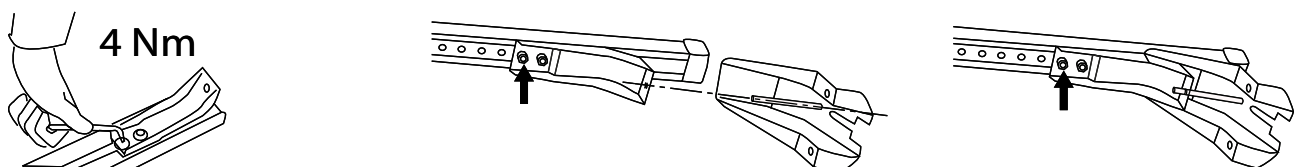
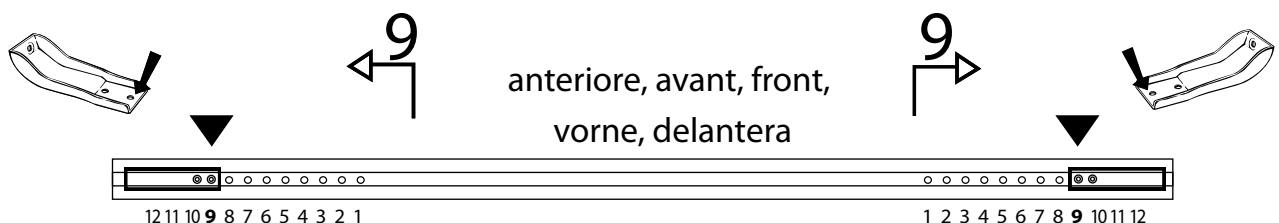
MOCSRR0AC0011 cm 124
MOCSRR0AL0006 cm 110



	1 - L1327/2 1 - L1327/1			2 - L1110	
2 - L1058/7		2 - RCVM6X16TSQ		2 - RC20200026	
2 - L1058/8		2 - RCRD8Q		1 - RCBR5	
2 - L1204/4		8 - RCVM6X9Q		1 - RCBR4	



MOCSRR0AC0011 cm 124
MOCSRR0AL0006 cm 110

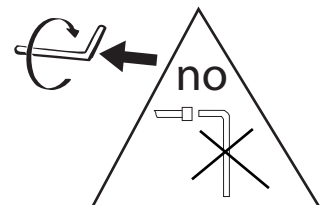
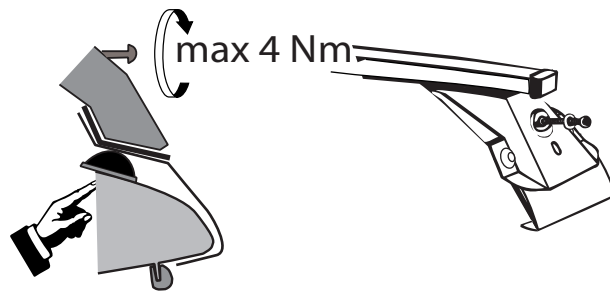
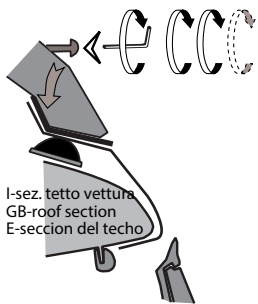
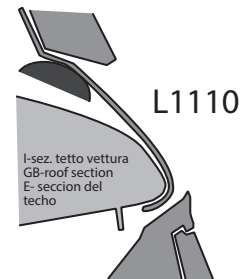
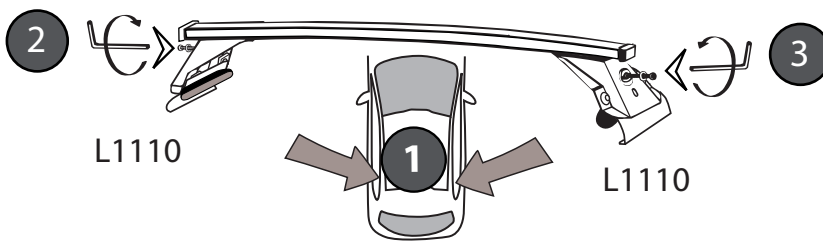
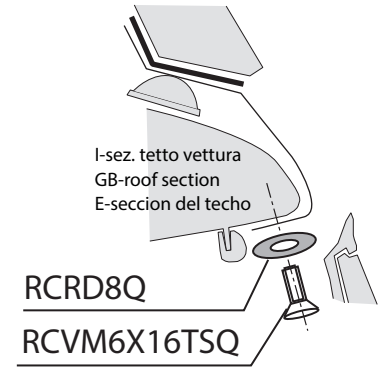
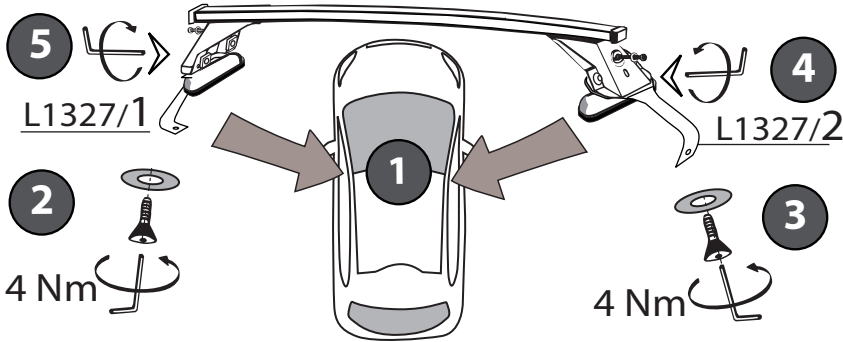
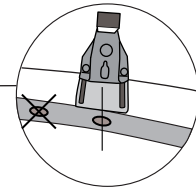
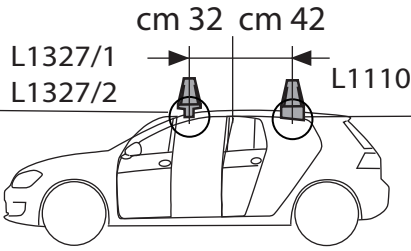
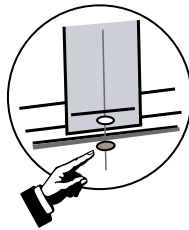
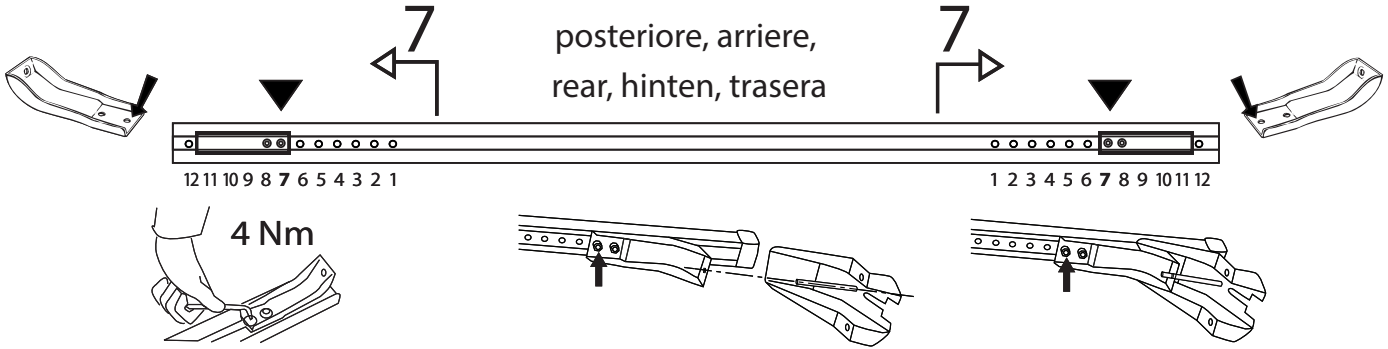


!!!



MOCRR0AC0011 cm 124
MOCRR0AL0006 cm 110

MOSKT 0425



MODULA
 case system
 email: modulacs@modulacs.com
 web site: www.modulacs.com

Modula s.r.l.
 Loc. Penisola, 20/A
 61026 Piandimeleto (PU) ITALY
 phone +39 0722/700070
 fax +39 0722/720017

15-06-2020