

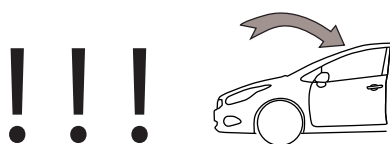
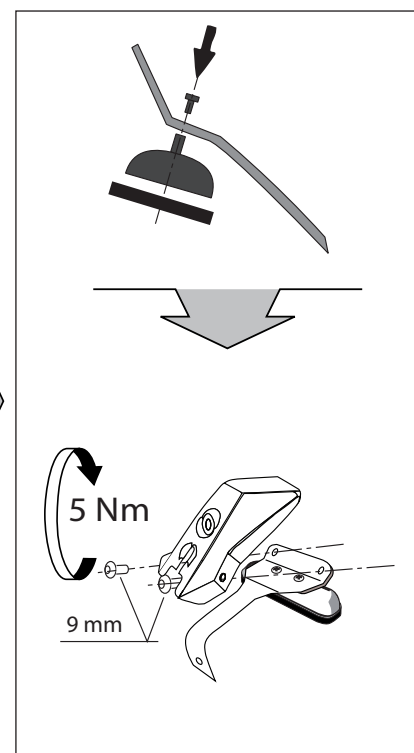
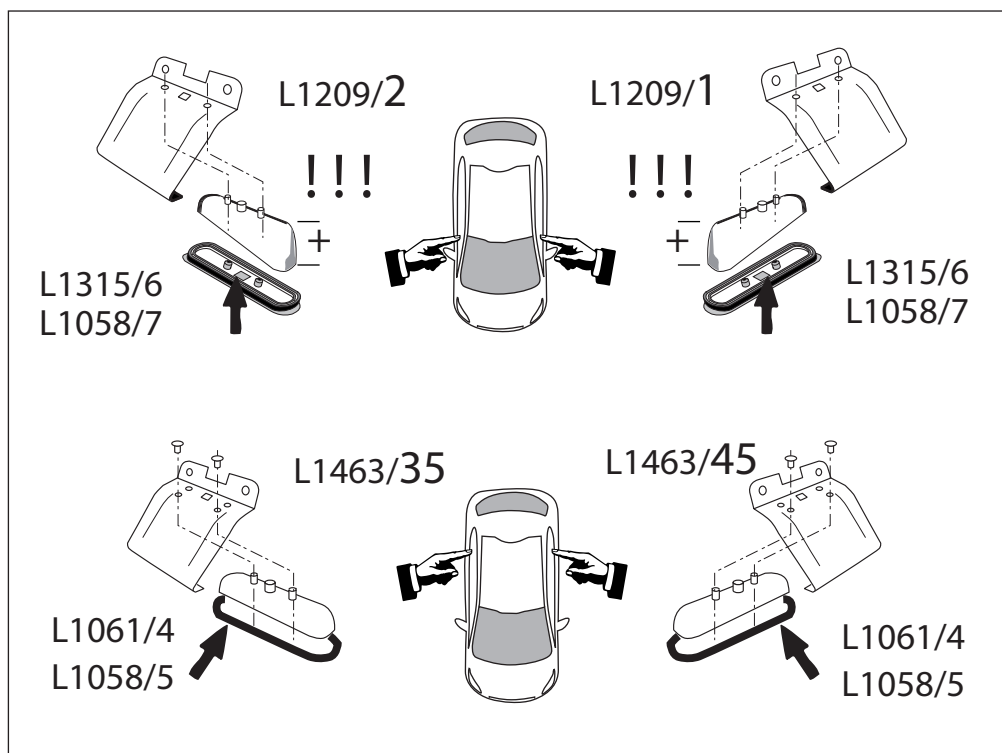
MAZDA CX-30 2019

Patent pending
MOCSKT 0411

MOCSRROAC0011 cm 124
MOCSRROAL0007 cm 124



1 - L1209/1	1 - L1463/35	2 - L1315/6	8 - RCVM6X9Q
1 - L1209/2	1 - L1463/45	2 - L1061/4	4 - RC20200026
		4 - L1058/7	1 - RCBR5



MOCSRROAC0011 cm 124
MOCSRROAL0007 cm 124



anteriore, avant, front,
vorne, delantera

