

## MERCEDES CLA Shooting Brake

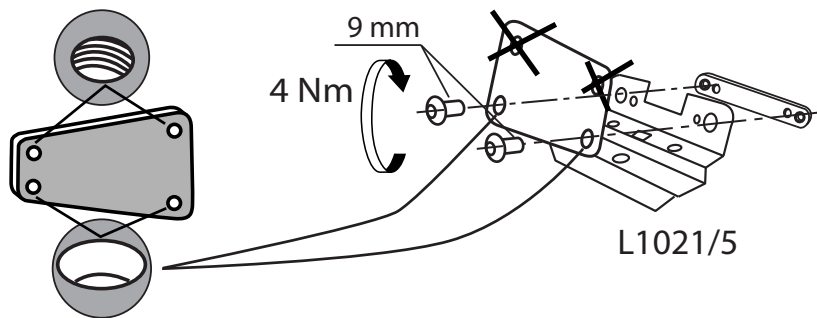
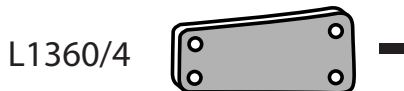
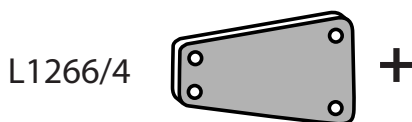
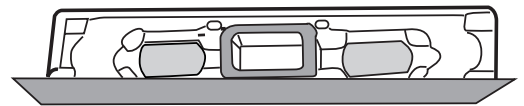
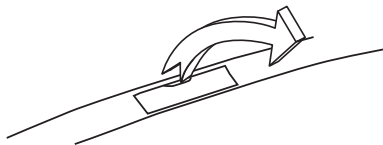
model 2015

**MOCSRR0AL008 cm 110**

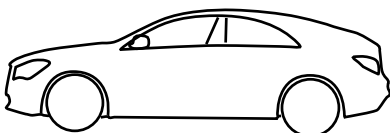
**MOCSRR0AC012 cm 110**



4 - L1318/4		4 - RC29110041 M6 x 36		12 - RCVM6X9Q	
4 - L1021/5		4 - RC1837/3Q		4 - RC20200026	
2 - L1266/4		4 - RC1837/3Q		1 - RCBR5	
2 - L1360/4		4 - RCDM6Q		1 - RC6241Q	

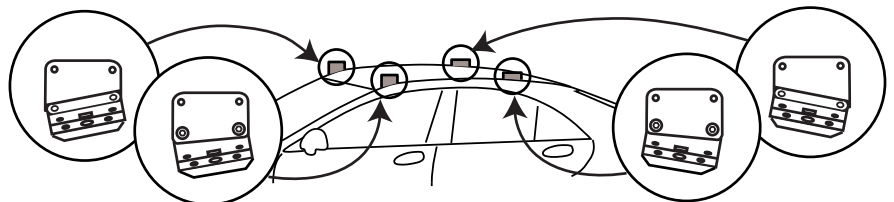


CLA Shooting Brake

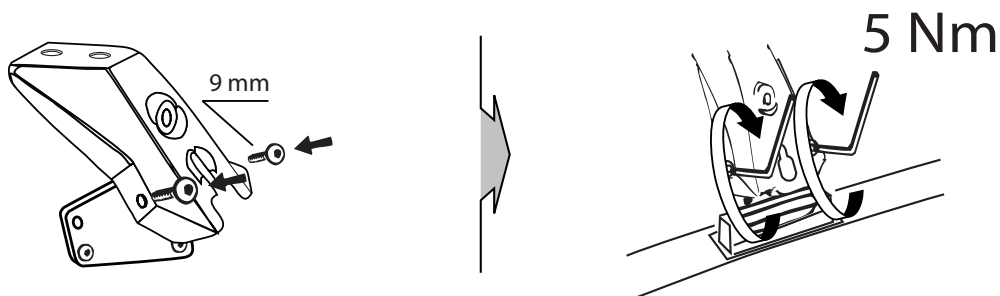
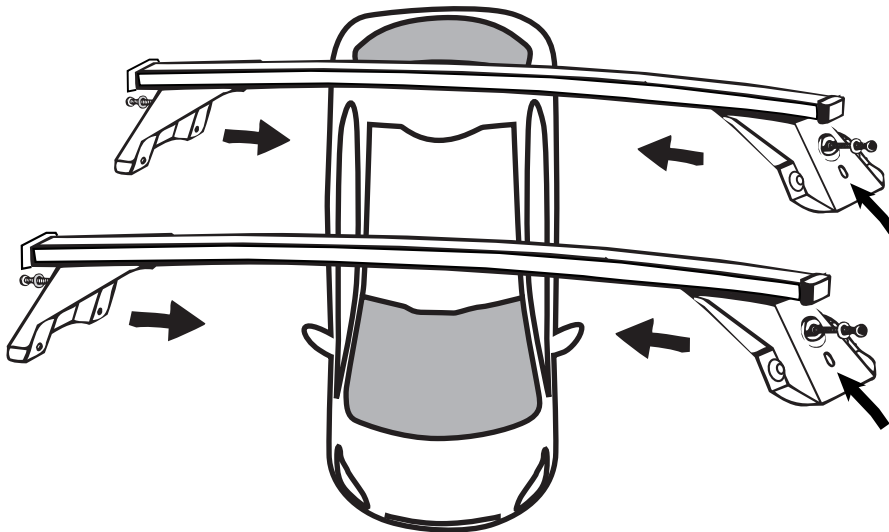
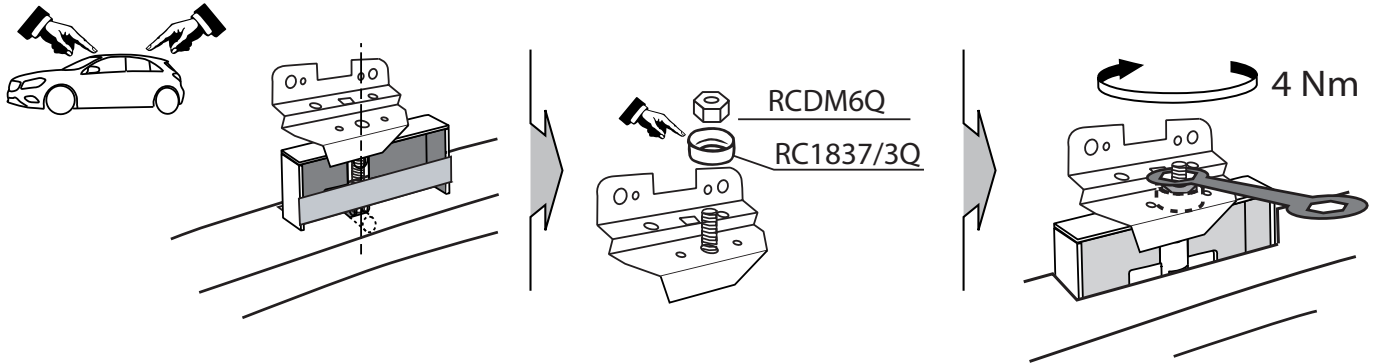
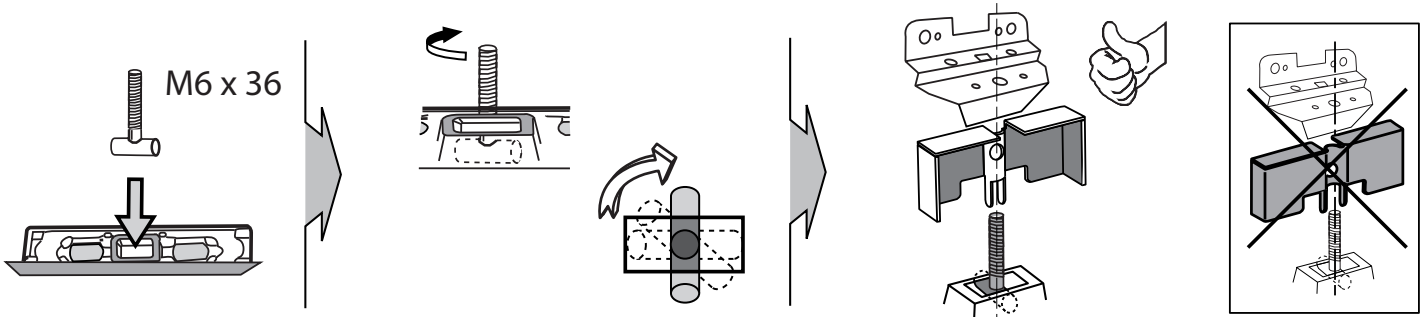


L1021/5 + L1266/4

L1021/5 + L1360/4



# MOCSKT 297



**MODULA**  
case system

email: [modulacs@modulacs.com](mailto:modulacs@modulacs.com)  
web site: [www.modulacs.com](http://www.modulacs.com)

Modula s.r.l.  
Loc. Penisola, 20/A  
61026 Piandimeleto (PU) ITALY  
phone +39 0722/700070  
fax +39 0722/720017

18-01-2016