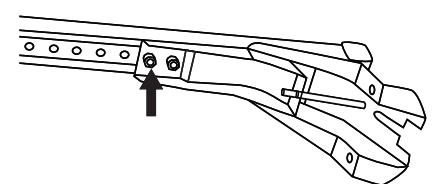
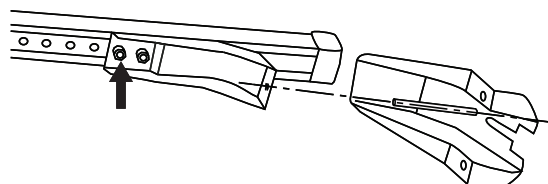
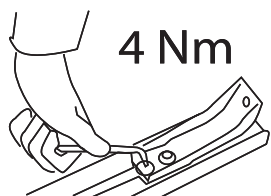
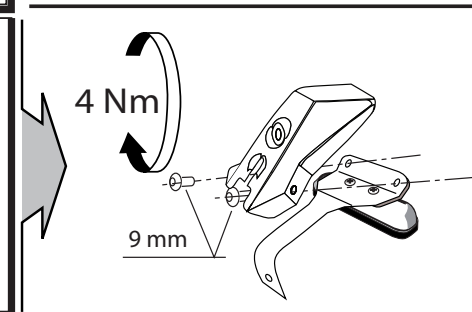
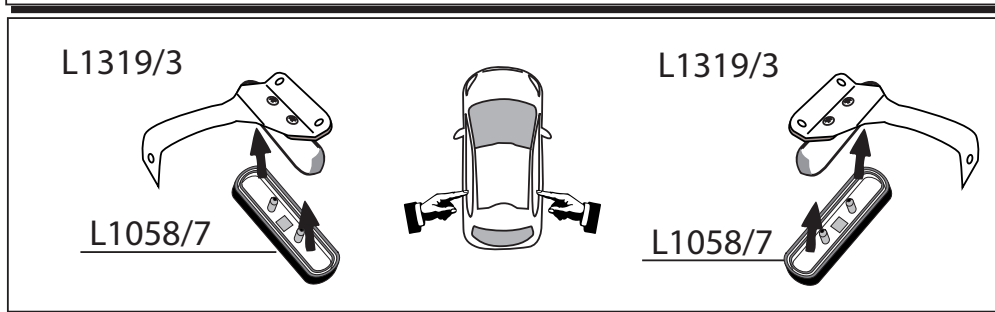
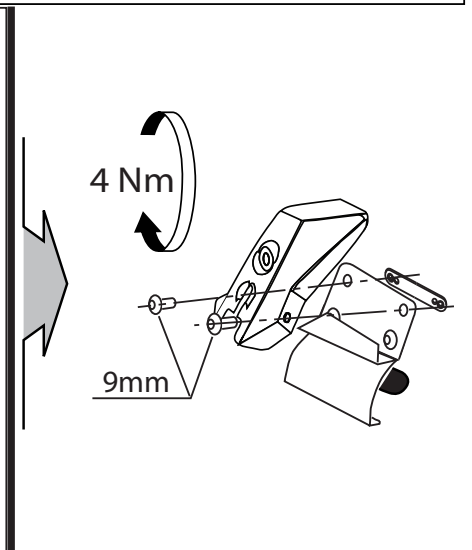
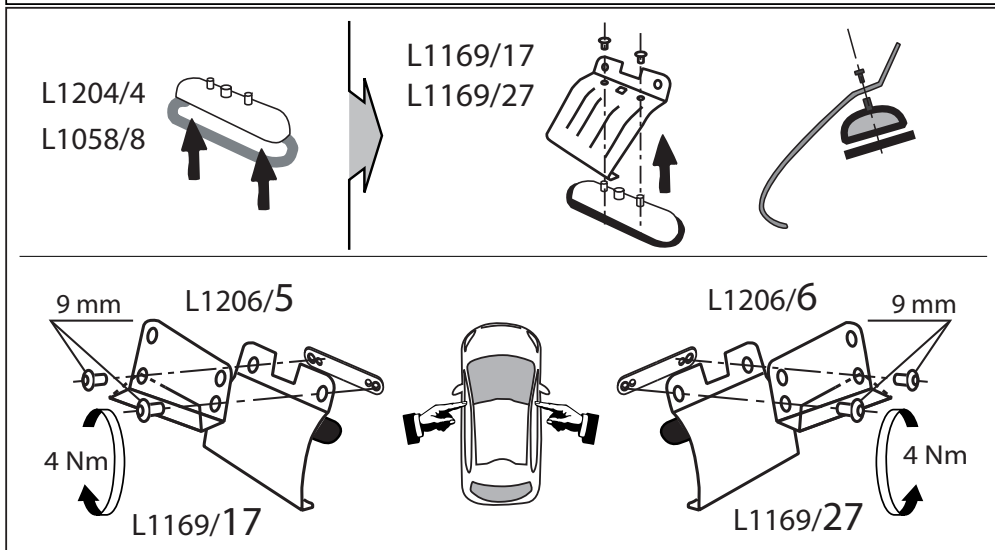
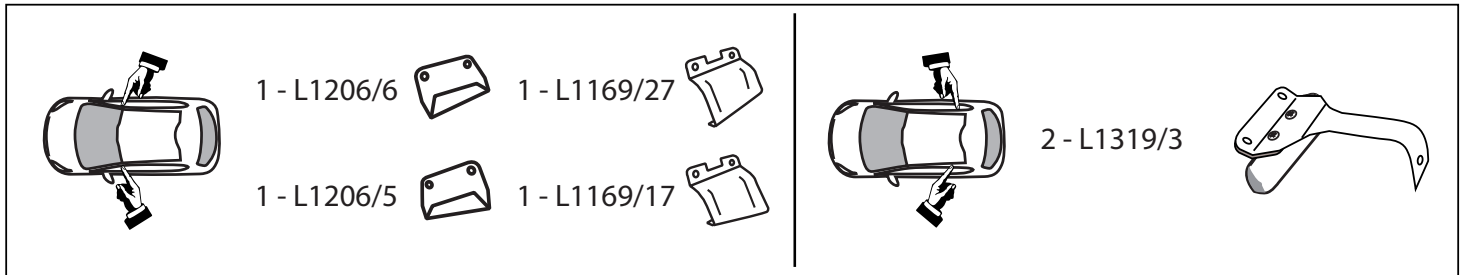
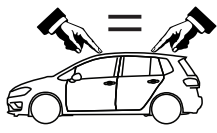


Volkswagen Golf VII Sportsvan 2014

Patent pending
MOCSKT 290

MOCSRROAC010 cm 110
MOCSRROAL006 cm 110



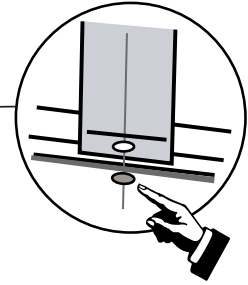
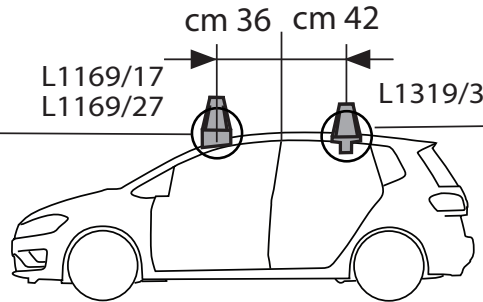
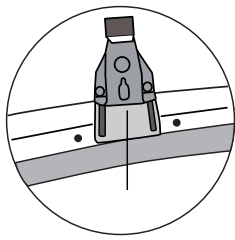
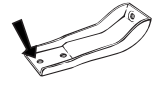
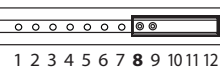
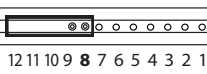
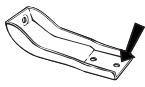


MOCSRROAC010 cm 110 MOCSRROAL006 cm 110

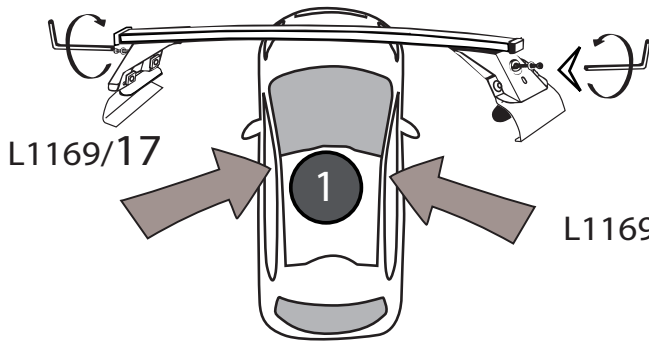
MOCSKT 290

anteriore, avant, front,
vorne, delantera

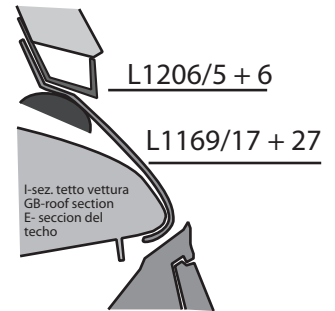
posteriore, arriere,
rear, hinten, trasera



2



3

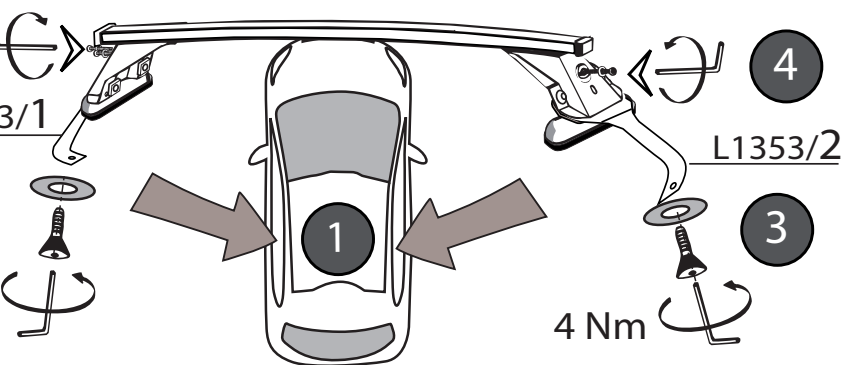


5

L1353/1

2

4 Nm

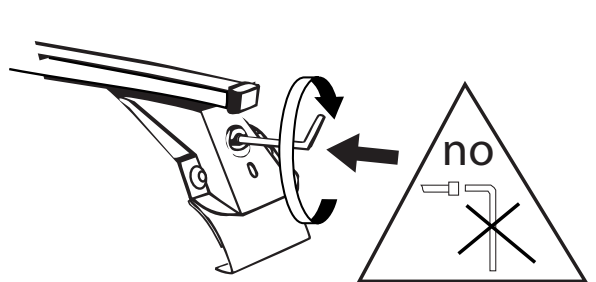
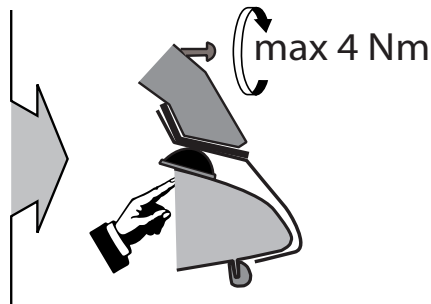
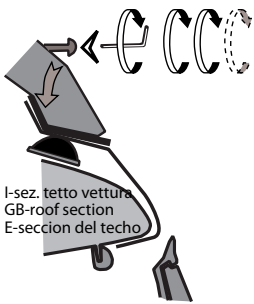
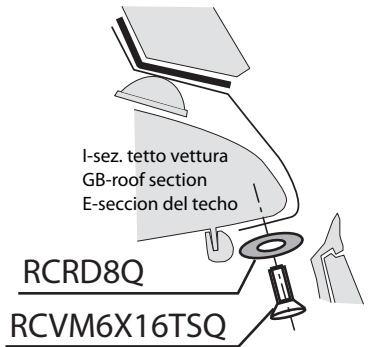


4

L1353/2

3

4 Nm



email: modulacs@modulacs.com
web site: www.modulacs.com

Modula s.r.l.
Loc. Penisola, 20/A
61026 Piandimeleto (PU) ITALY
phone +39 0722/700070
fax +39 0722/720017

18-01-2016