

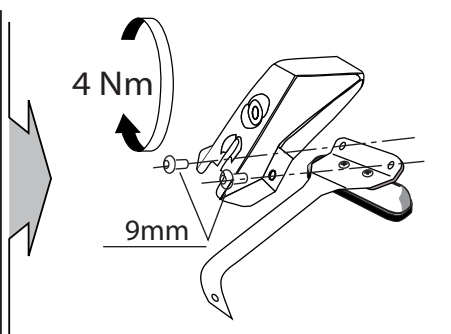
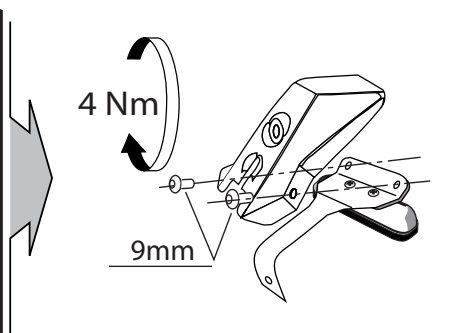
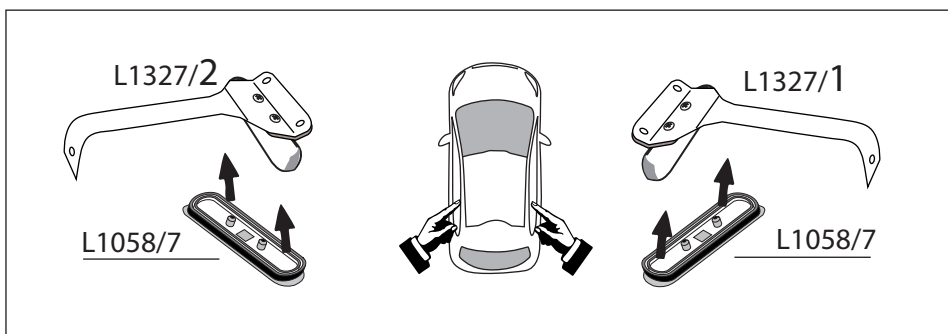
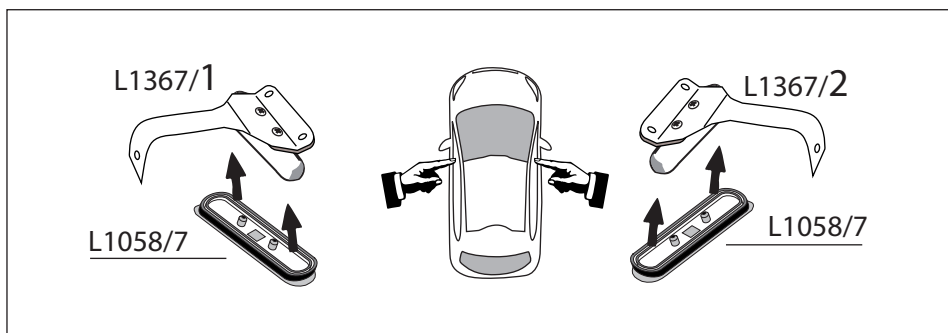
# ŠKODA Octavia sedan model 2013

Patent pending  
**MOCSKT 259**

**MOCSRROAC010 cm 110**  
**MOCSRROAL006 cm 110**



<p>1 - L1367/1 ant. sx.</p>	<p>1 - L1327/2 post. sx.</p>	<p>4 - L1058/7</p> <p>4 - RCVM6X14TSQ 14 mm</p> <p>4 - RCRD8Q</p> <p>8 - RCVM6X9Q</p> <p>1 - RCBR5</p> <p>1 - RCBR4</p>
<p>1 - L1367/2 ant. dx.</p>	<p>1 - L1327/1 post. dx.</p>	

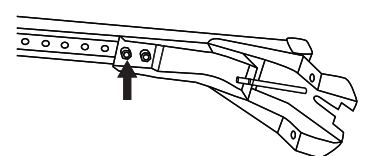
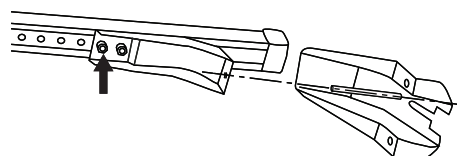
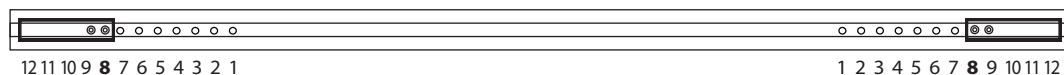
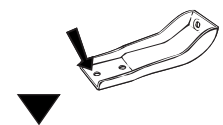
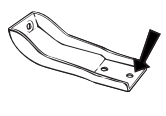


**MOCSRROAC010 cm 110**  
**MOCSRROAL006 cm 110**

8

anteriore, avant, front,  
vorne, delantera

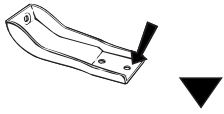
8



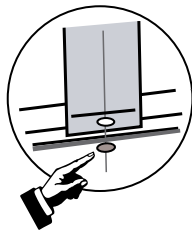
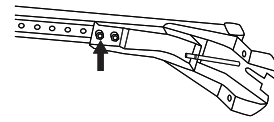
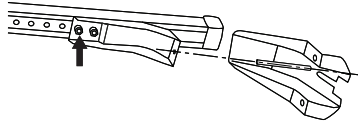
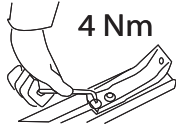
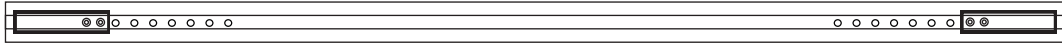
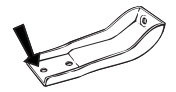


# MOCSSRROAC010 cm 110 MOCSSRROAL006 cm 110

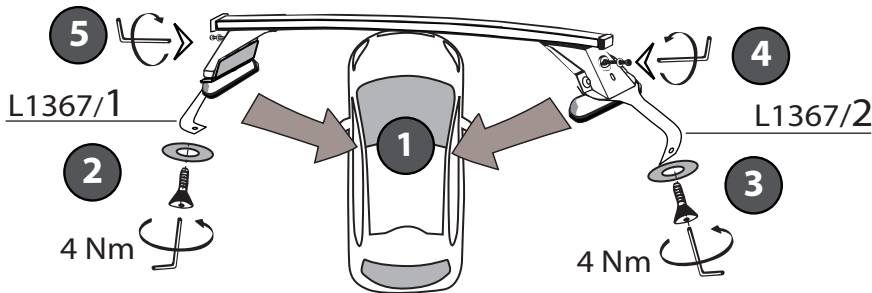
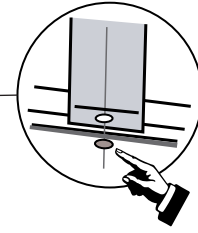
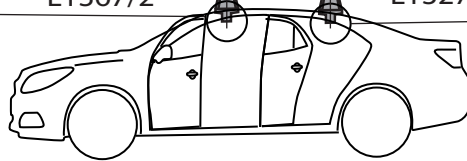
# MOC SKT 259



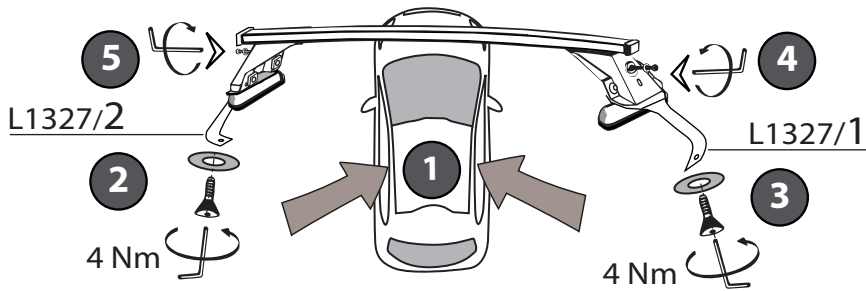
posteriore, arriere,  
rear, hinten, trasera



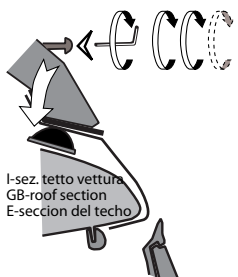
cm 75  
L1367/1 L1367/2  
L1327/1 L1327/2



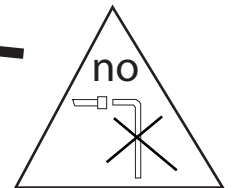
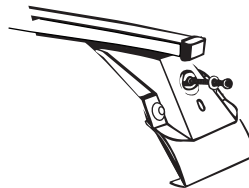
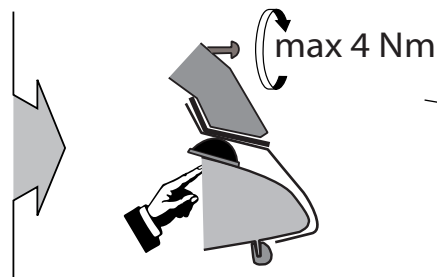
I-sez. tetto vettura  
GB-roof section  
E-seccion del techo



RCRD8Q  
RCVM6X14TSQ



I-sez. tetto vettura  
GB-roof section  
E-seccion del techo



## MODULA

case system

email: [modulacs@modulacs.com](mailto:modulacs@modulacs.com)  
web site: [www.modulacs.com](http://www.modulacs.com)

Modula s.r.l.  
Loc. Penisola, 20/A  
61026 Piandimeleto (PU) ITALY  
phone +39 0722/700070  
fax +39 0722/720017

18-01-2016