

PEUGEOT 208 5 porte 2012



Patent pending
MOCSKT 226

MOCSRROAC010 cm 110

MOCSRROAL006 cm 110



<p>1 - L1327/2</p> <p>1 - L1327/1</p>	<p>1 - L1328/3</p> <p>1 - L1328/4</p>	<p>4 - L1058/5</p> <p>4 - RCVM6X14TSQ</p> <p>14 mm</p> <p>4 - RCRD8Q</p>	<p>8 - RCVM6X9Q</p> <p>1 - RCBR5</p> <p>1 - RCBR4</p>
---------------------------------------	---------------------------------------	--	---

L1327/1

L1058/5

L1327/2

L1058/5

4 Nm

9 mm

L1328/4

L1058/5

L1328/3

L1058/5

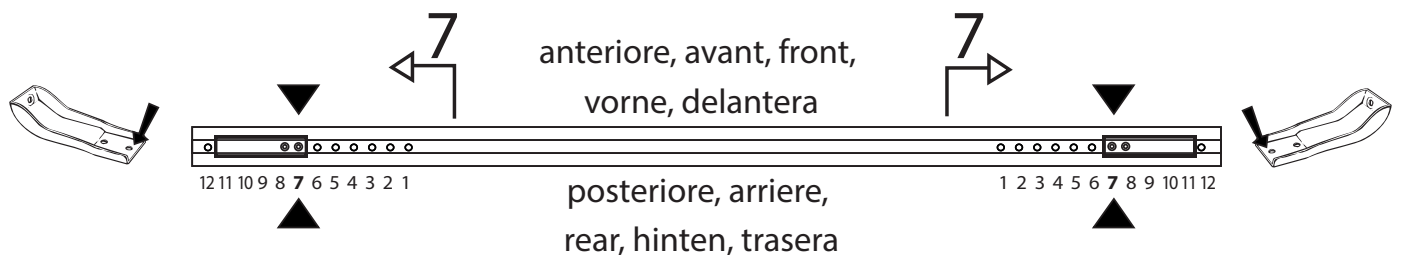
4 Nm

9 mm

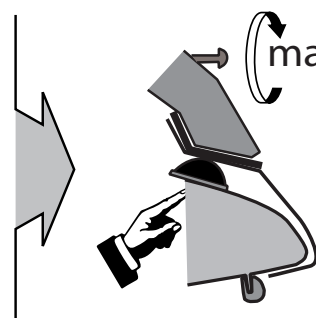
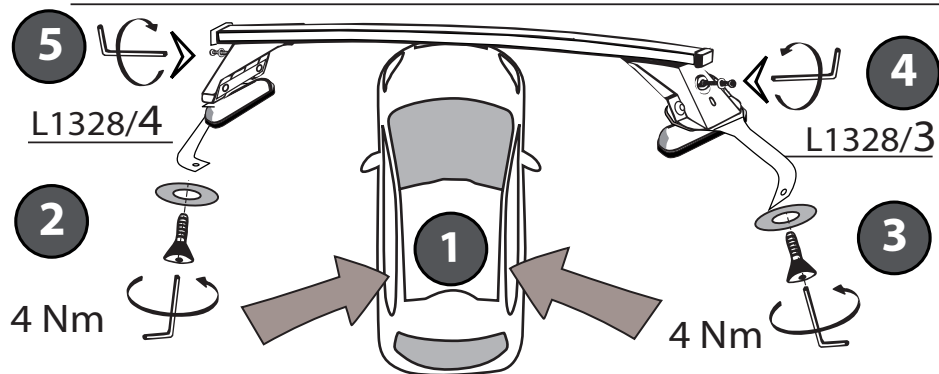
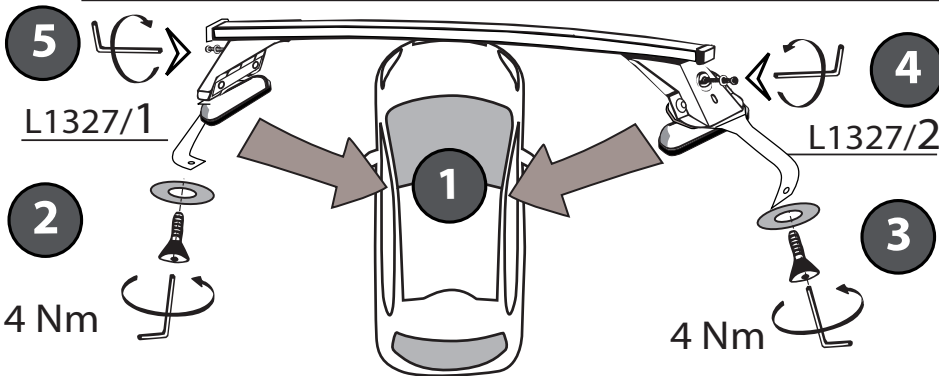
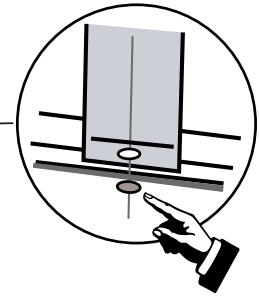
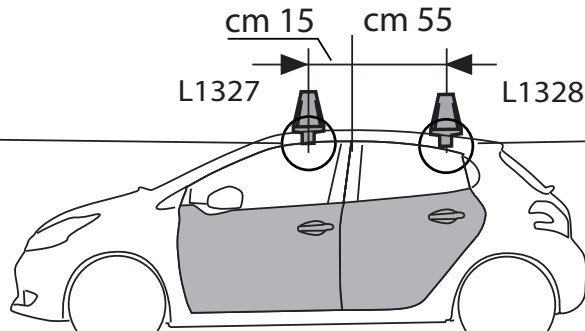
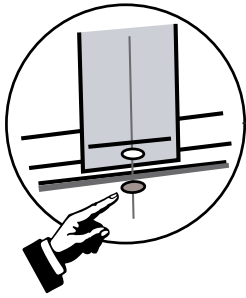
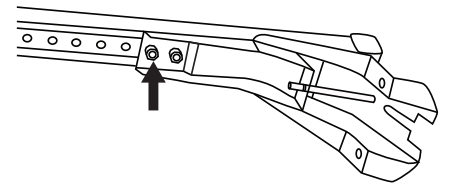
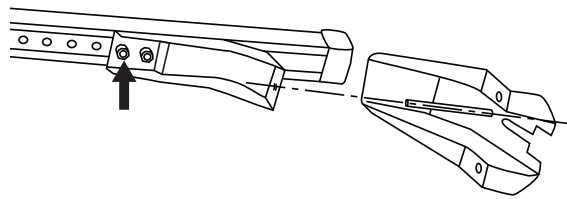
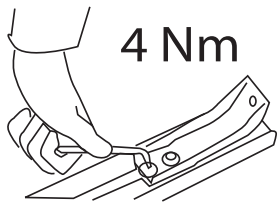


MOCSRROAC010 cm 110

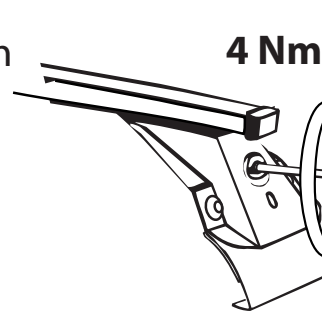
MOCSRROAL006 cm 110



MOSKKT 226



max 4 Nm



4 Nm



no