

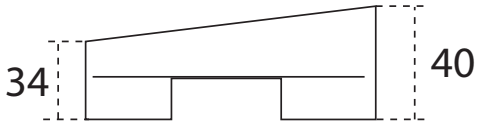
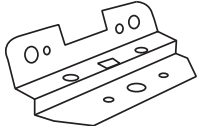



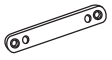

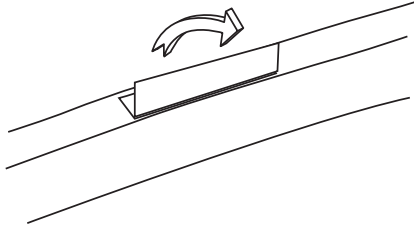
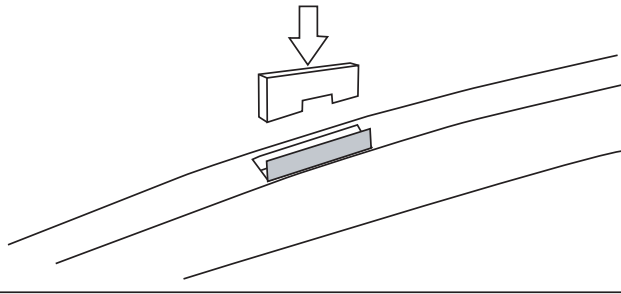
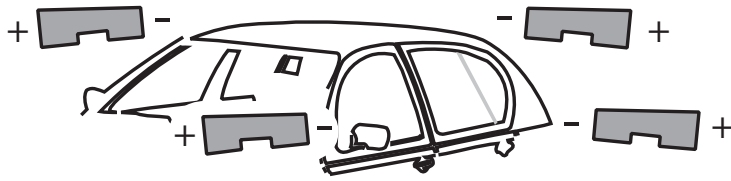
BMW Serie 5 berlina 2010

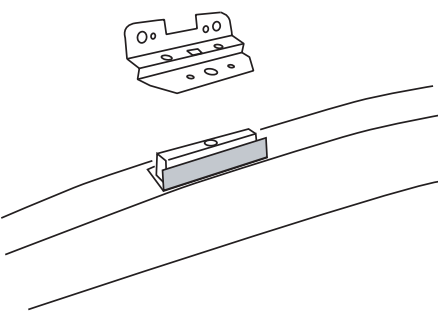
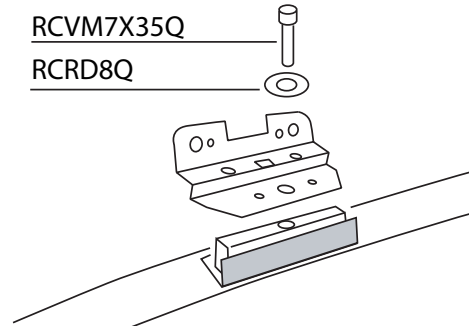
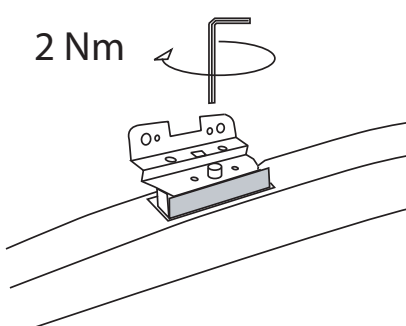
MOCSKT 165

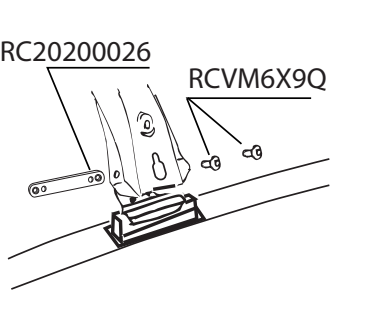
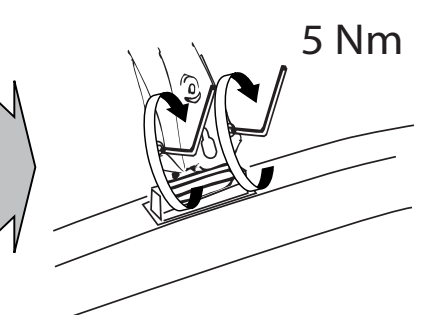
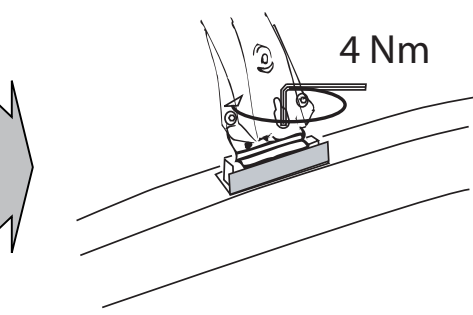
MOCSRR0AL008 cm 110

MOCSRR0AC012 cm 110



<p>4 - L1261/4</p>  <p>4 - L1055</p>  <p>8 - RCVM6X9Q</p>  <p>4 - RCVM7X35Q</p>  <p>4 - RCRD8Q</p>  <p>4 - RC20200026</p>  <p>1 - RCBR5 normale</p> 	  
--	---

	<p>RCVM7X35Q</p> <p>RCRD8Q</p> 	<p>2 Nm</p> 
---	---	---

<p>RC20200026</p> <p>RCVM6X9Q</p> 	<p>5 Nm</p> 	<p>4 Nm</p> 
---	---	--



MODULA
case system

email: modulacs@modulacs.com
web site: www.modulacs.com

Modula s.r.l.
Loc. Penisola, 20/A
61026 Piandimeleto (PU) ITALY
phone +39 0722/700070
fax +39 0722/720017

18-01-2016