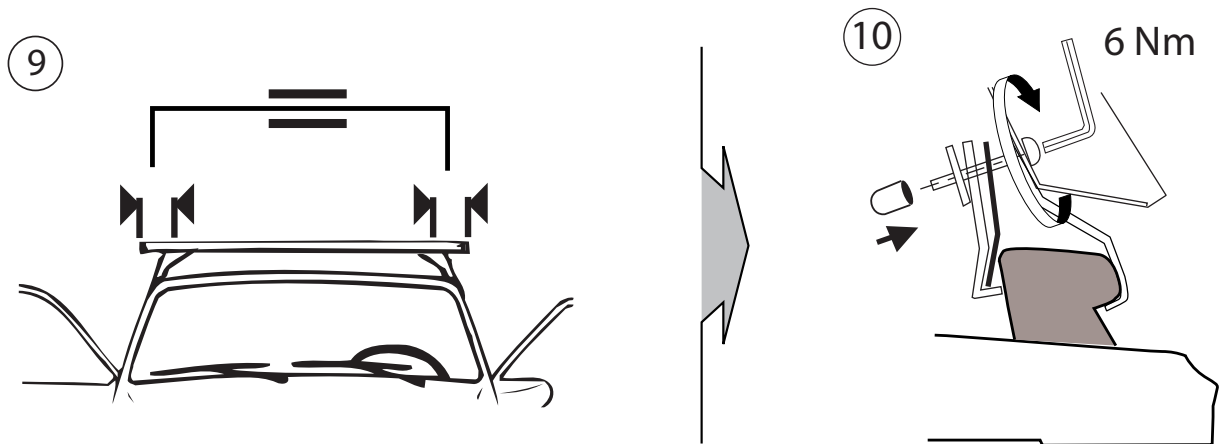
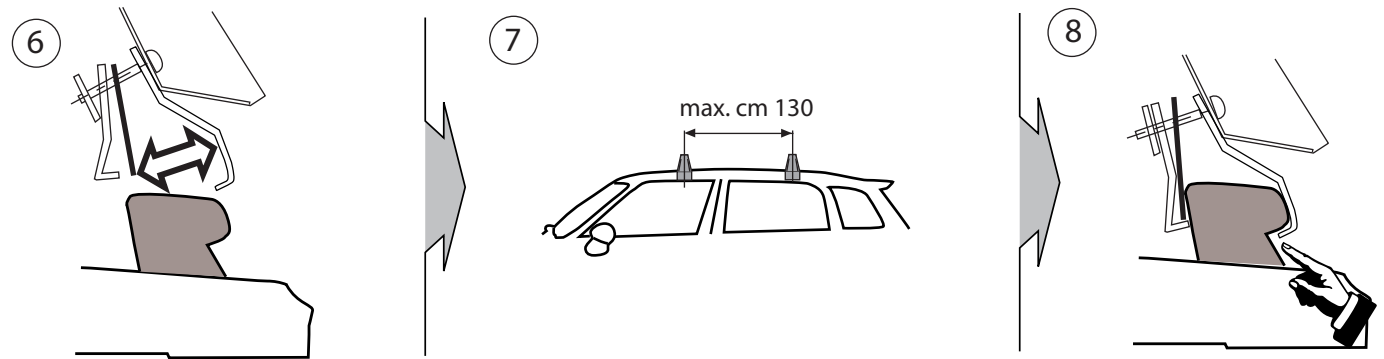
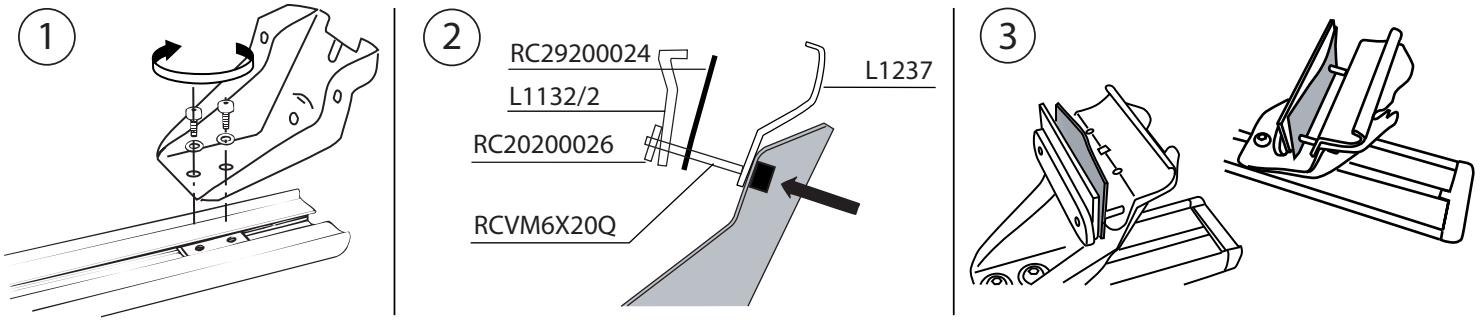


MOCSRR0AC012 cm 110

MOCSRR0AL008 cm 110



4 - L1132/2		4 - RC20200026		8 - RCVM6X20Q	
4 - L1237		4 - RC29200024		1 - RCBR5 normale	
		8 - RC29176603			



MODULA
case system

email: modulacs@modulacs.com
web site: www.modulacs.com

Modula s.r.l.
Loc. Penisola, 20/A
61026 Piandimeleto (PU) ITALY
phone +39 0722/700070
fax +39 0722/720017

27-04-2016