

Mitsubishi Lancer

berlina + Sportback 2008

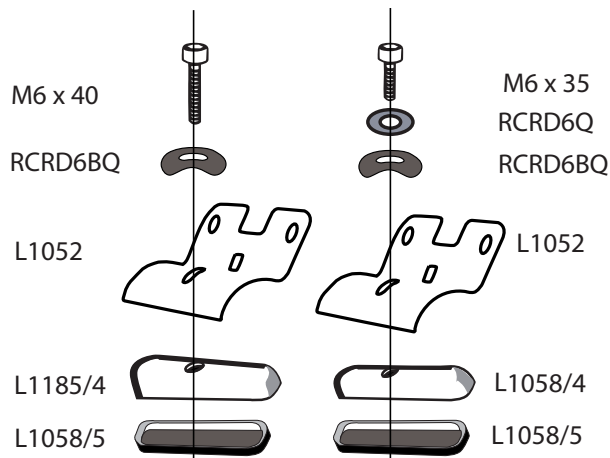
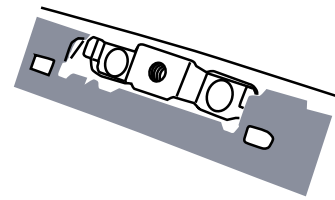
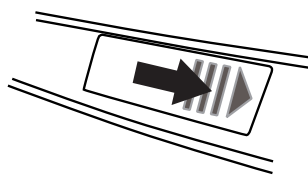
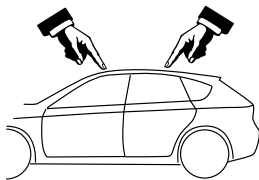
MOCSKT 131



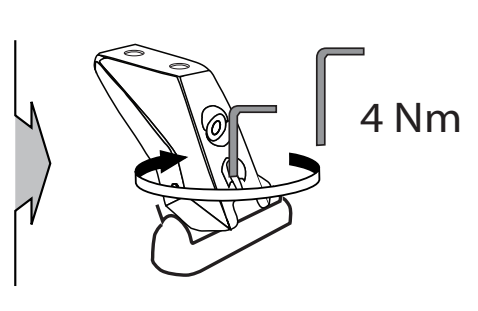
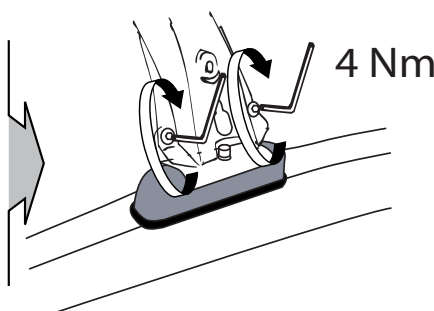
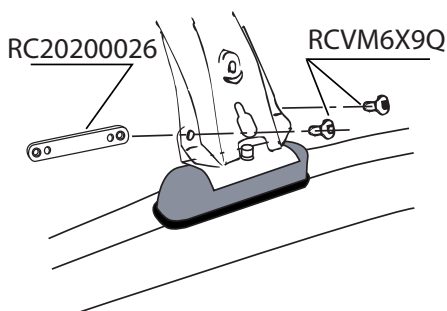
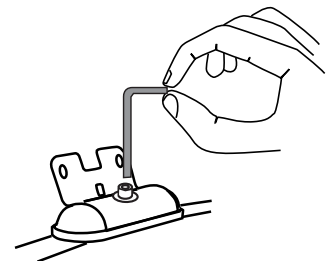
MOCSRR0AL008 cm 110

MOCSRR0AC012 cm 110

4 - L1052/2		4 - L1058/5		2 - RCRD6Q	
2 - L1058/4		8 - RCVM6X9Q		4 - RCRD6BQ	
2 - L1185/4		2 - RC29140009 M6 x 35		4 - RC20200026	
		2 - RC29110141 M6 x 40		1 - RCBR5 normale	



2 Nm



MODULA
case system

email: modulacs@modulacs.com
web site: www.modulacs.com

Modula s.r.l.
Loc. Penisola, 20/A
61026 Piandimeleto (PU) ITALY
phone +39 0722/700070
fax +39 0722/720017

18-01-2016