

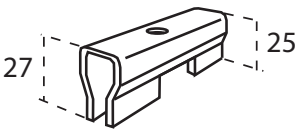
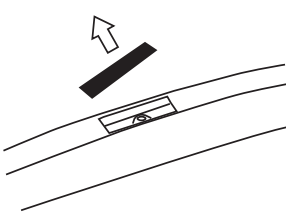
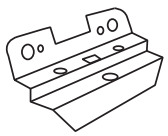





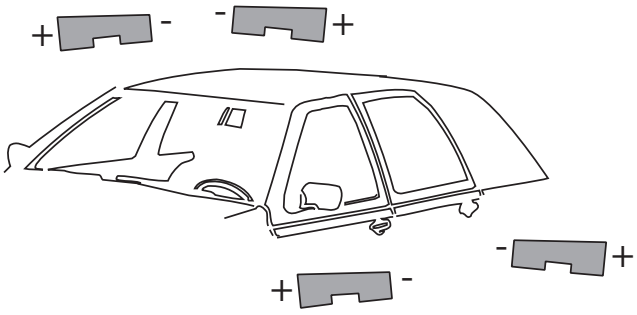
# Ford S Max modello 2006

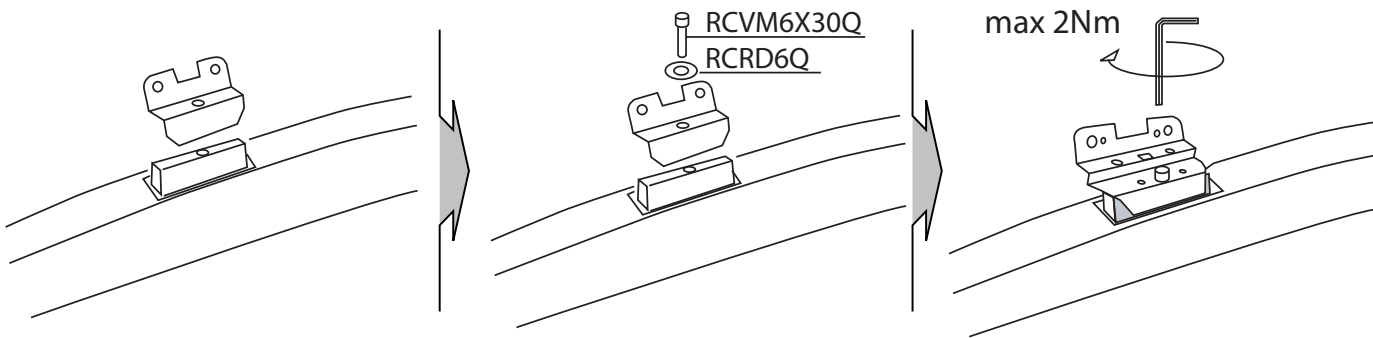
# MOCSKT 061

**MOCSRR0AL009 cm 124**

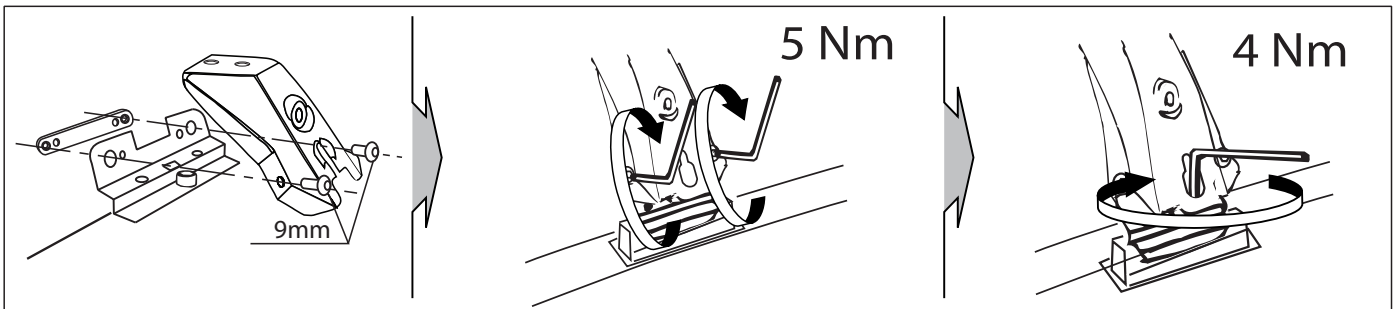
**MOCSRR0AC013 cm 124**



<p>4 - L1051/5 </p>	 <p>Togliere i coperchietti. Take out the covers. Enlever les couvercles.</p>
<p>4 - L1021/5 </p>	
<p>8 - RCVM6X9Q </p>	
<p>4 - RCVM6X30Q </p>	
<p>4 - RCRD6Q </p>	
<p>4 - RC20200026 </p>	
<p>1 - RCBR5 normale </p>	



RCVM6X30Q  
RCRD6Q  
max 2Nm



9mm  
5 Nm  
4 Nm