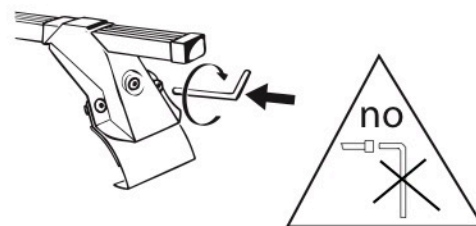
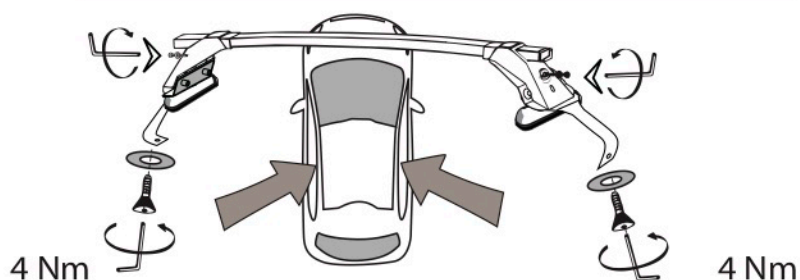
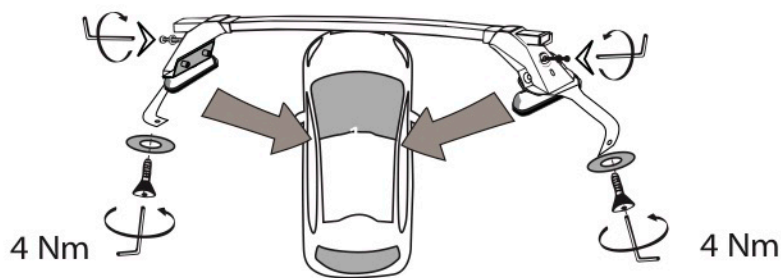
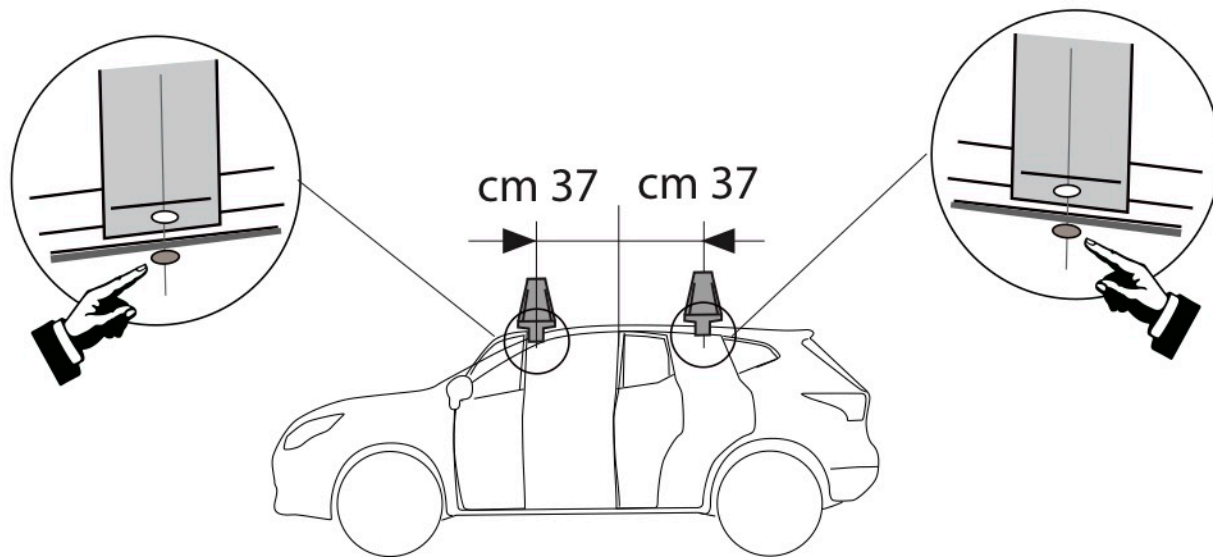


L1580 NISSAN Qashqai III 2021



Patent pending



LA PREALPINA srl

INDUSTRIA ACCESSORI AUTO
 10040 VOLVERA (Torino) ITALY
 Strada Orbassano, 47
 tel. 011 985 06 83, Fax 011 985 72 76
<http://www.laprealpina.net>; e-mail: lp@laprealpina.it

08/11/2021
 Rev. 0