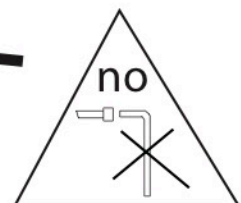
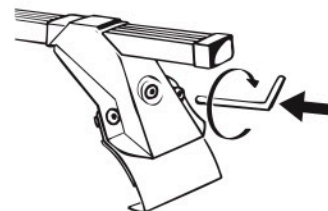
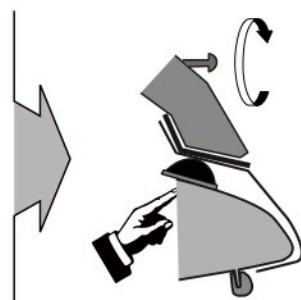
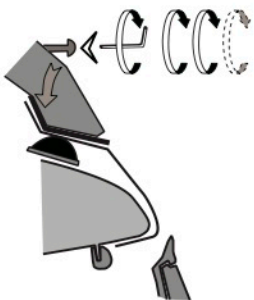
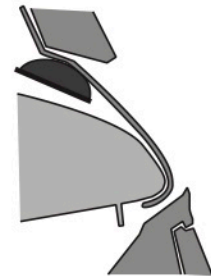
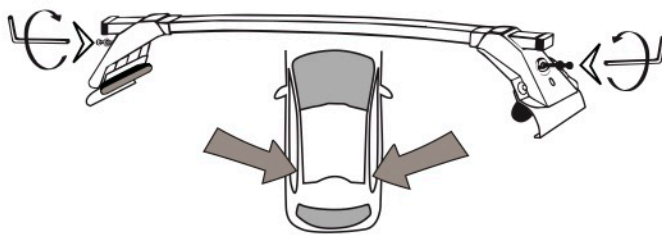
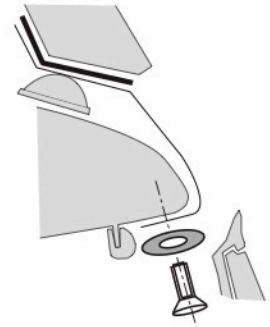
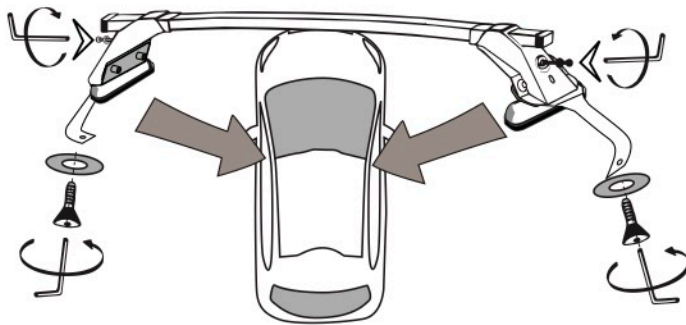
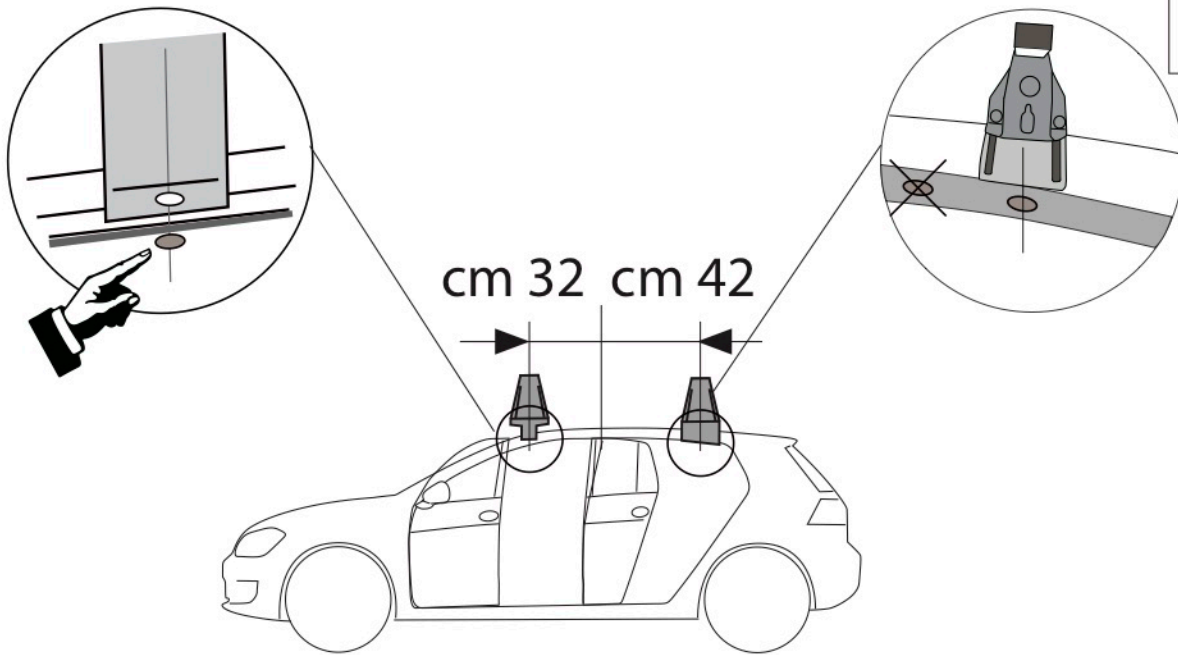


L1549 VOLKSWAGEN Golf VIII 5 porte 2019

Patent pending



LA PREALPINA srl

INDUSTRIA ACCESSORI AUTO
10040 VOLVERA (Torino) ITALY
Strada Orbassano, 47
tel. 011 985 06 83, Fax 011 985 72 76
<http://www.laprealpina.net>; e-mail: lp@laprealpina.it

25/06/2020

Rev. 0