

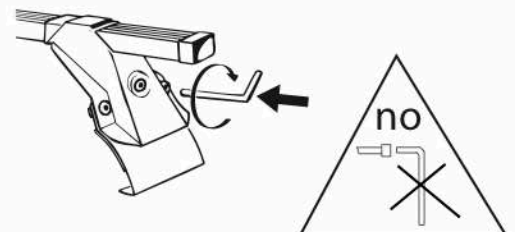
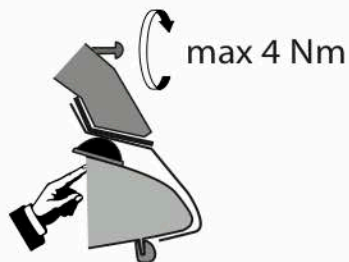
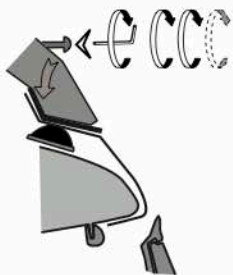
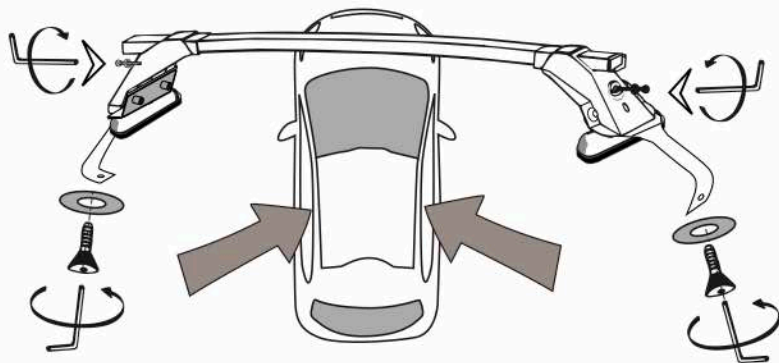
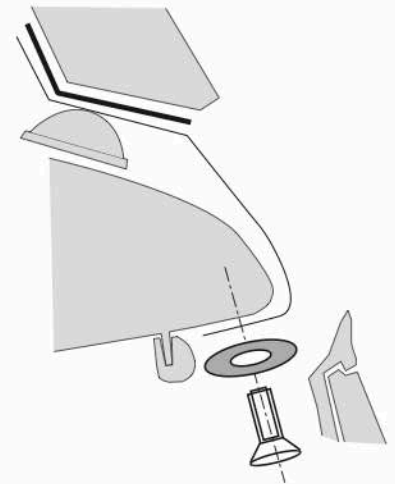
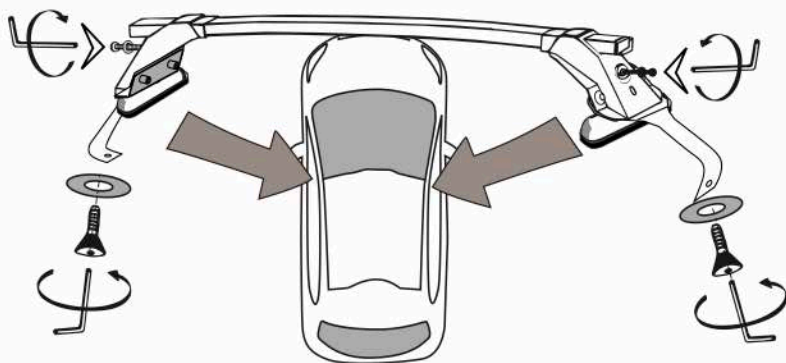
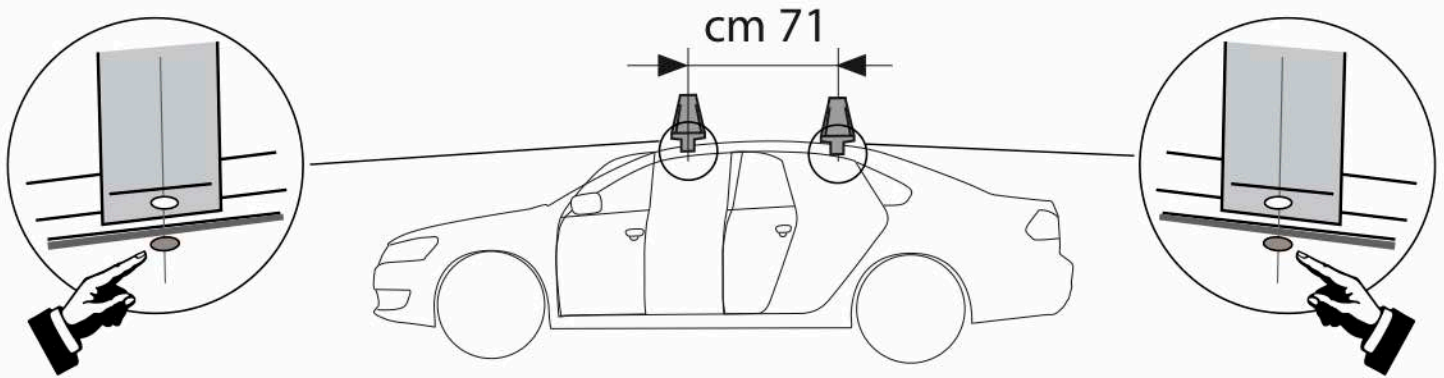
L1510 AUDI A6 berlina / saloon 2018

Patent pending



max
Kg. 7,5

L3



LA PREALPINA srl

INDUSTRIA ACCESSORI AUTO
10040 VOLVERA (Torino) ITALY
Strada Orbassano, 47
tel. 011 985 06 83, Fax 011 985 72 76
<http://www.laprealpina.net>; e-mail: lp@laprealpina.it

26/09/2018

Rev. 0