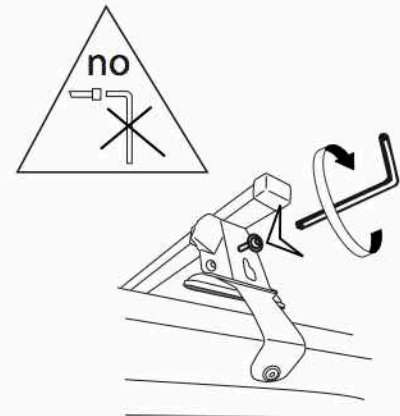
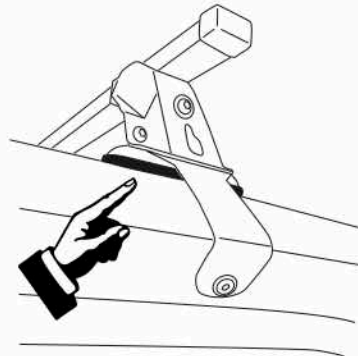
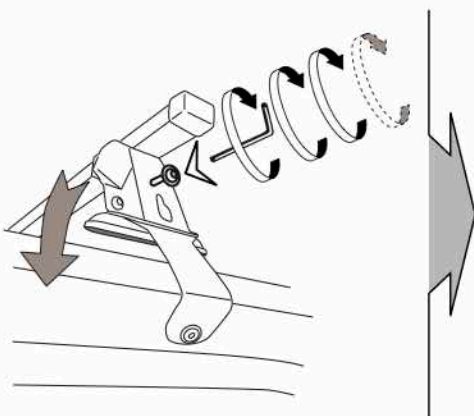
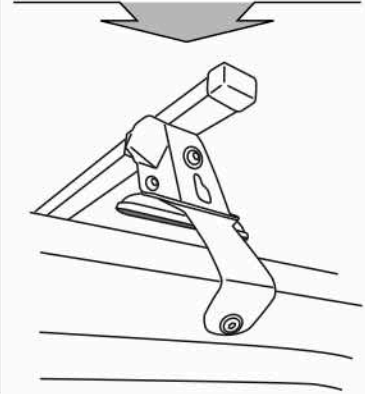
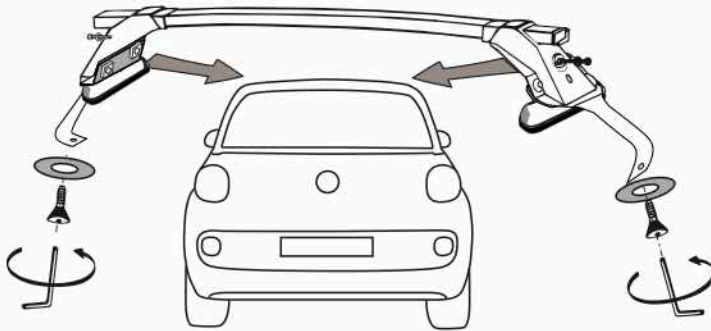
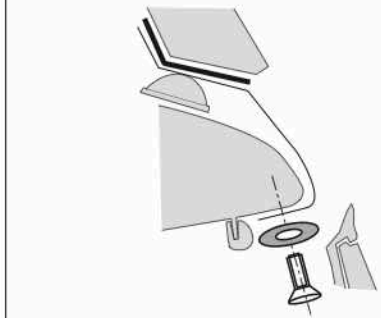
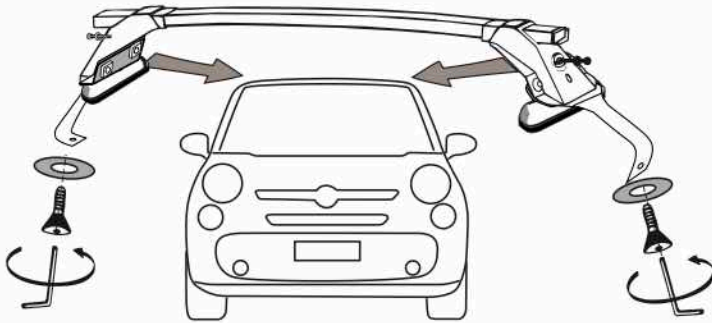
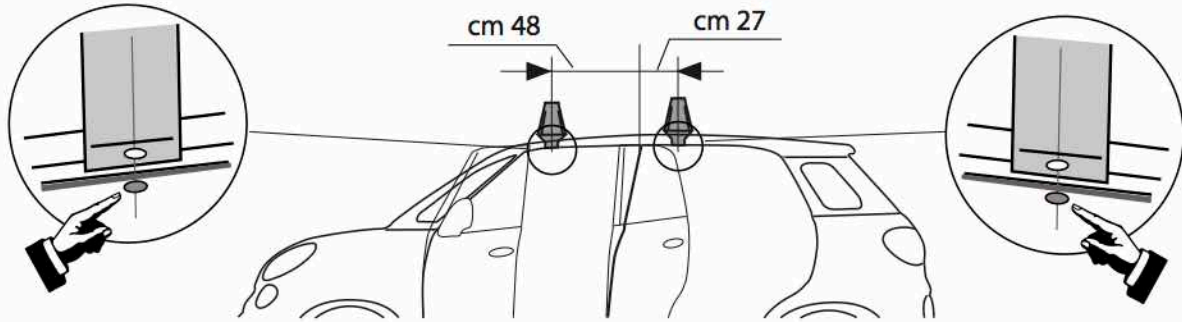


L1341N

FIAT 500L model 2012

FIAT 500L Living model 2013

Patent pending



LA PREALPINA srl

INDUSTRIA ACCESSORI AUTO
10040 VOLVERA (Torino) ITALY
Strada Orbassano, 47
tel. 011 985 06 83, Fax 011 985 72 76
<http://www.laprealpina.net>; e-mail: lp@laprealpina.it

17/09/2013
Rev. 0