

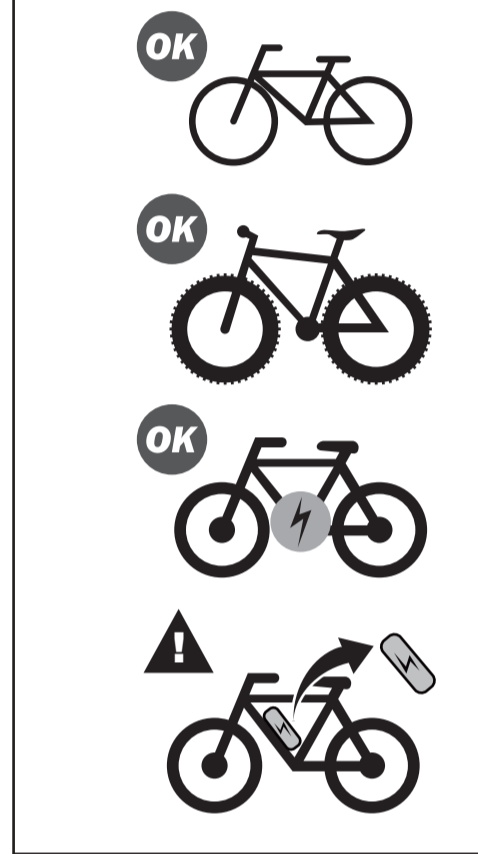
# BUZZ RACK

## E-SCORPION XL

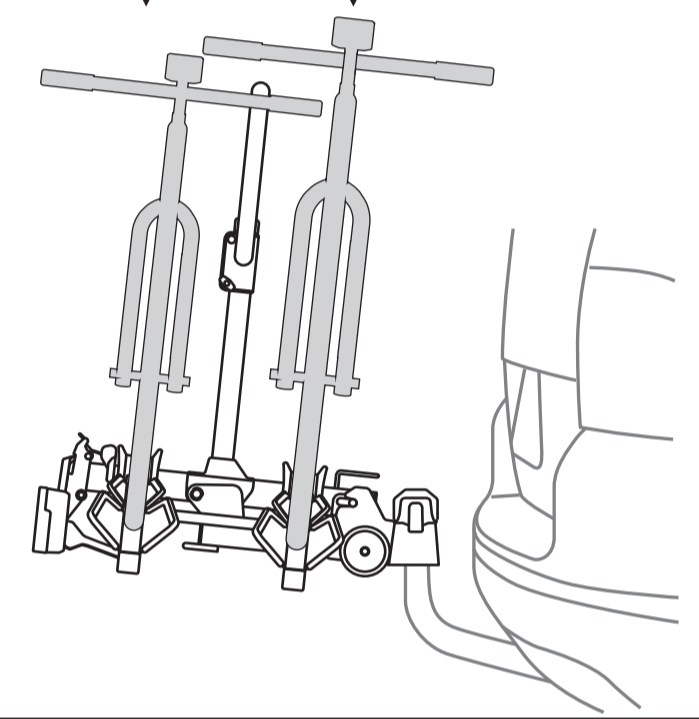
Max		
50 kg		29.2 kg
60 kg		39.2 kg
70 kg	20.8 kg	49.2 kg
80 kg		59.2 kg
>85 kg		MAX 60 kg

>65mm	ISO 50mm	FAT-BIKE	13	2
Made in Taiwan				MAX 2x30kg MAX 2x66lbs

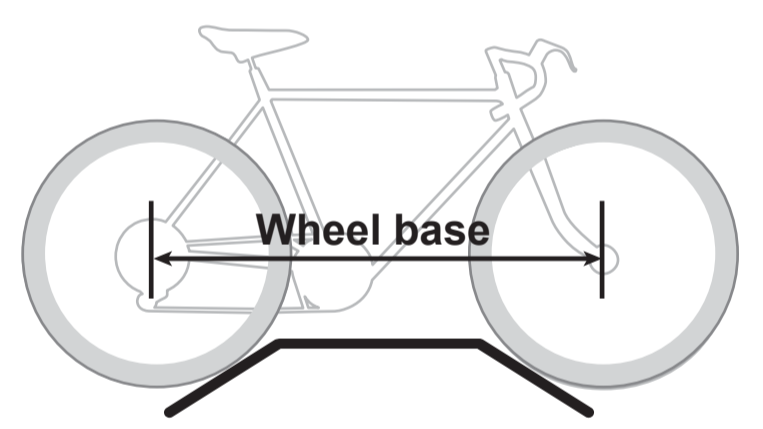
**MAX 60KG**



**MAX 30kg** **MAX 30kg**



**Max 4.8"**



10" Tire diameter		26" Tire diameter		29" Tire diameter	
MIN	MAX	MIN	MAX	MIN	MAX
81cm(32")	116cm(46")	78cm(31")	127cm(50")	84cm(33")	129cm(51")

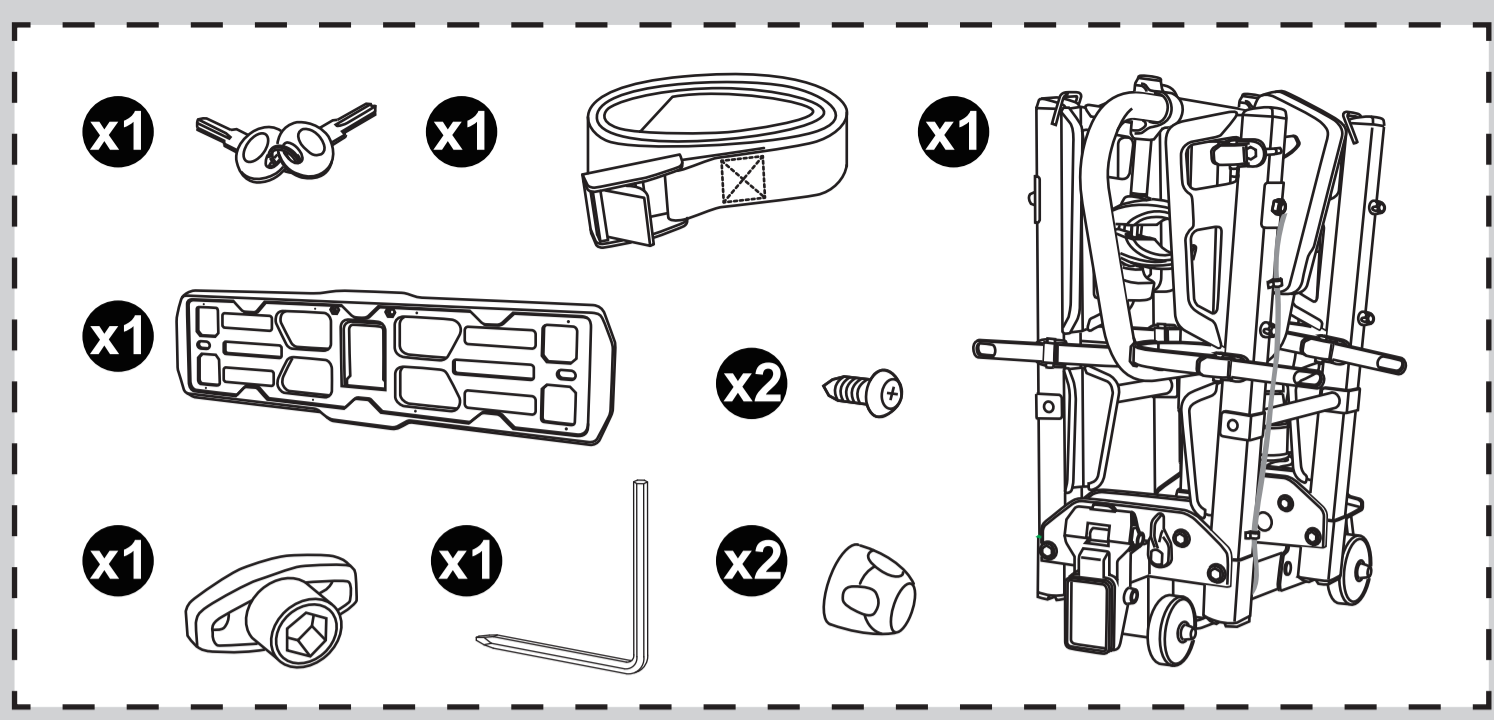
### ACCESSORIES (NOT INCLUDED)

**E-RAMP steel**  
# 47-0116-005-10

**1 BIKE kit**  
# 47-9176-000-10

**CONNECTOR**  
# 47-0100-042-10

13 to 7pin



**STEP 1.**

**STEP 2.**

**1**

**2**

**STEP 3.**

**STEP 9.**

**STEP 4.**

**3**

**MAX 45 Kg**

**STEP 5.**

**STEP 6.**

**STEP 7.**

**STEP 8.**

**Denmark only** 504x120mm

**x8**

