

Art. **96075**

Modelli / Model:

Renault Magnum 2, 09/05>12/13



Made in Europe

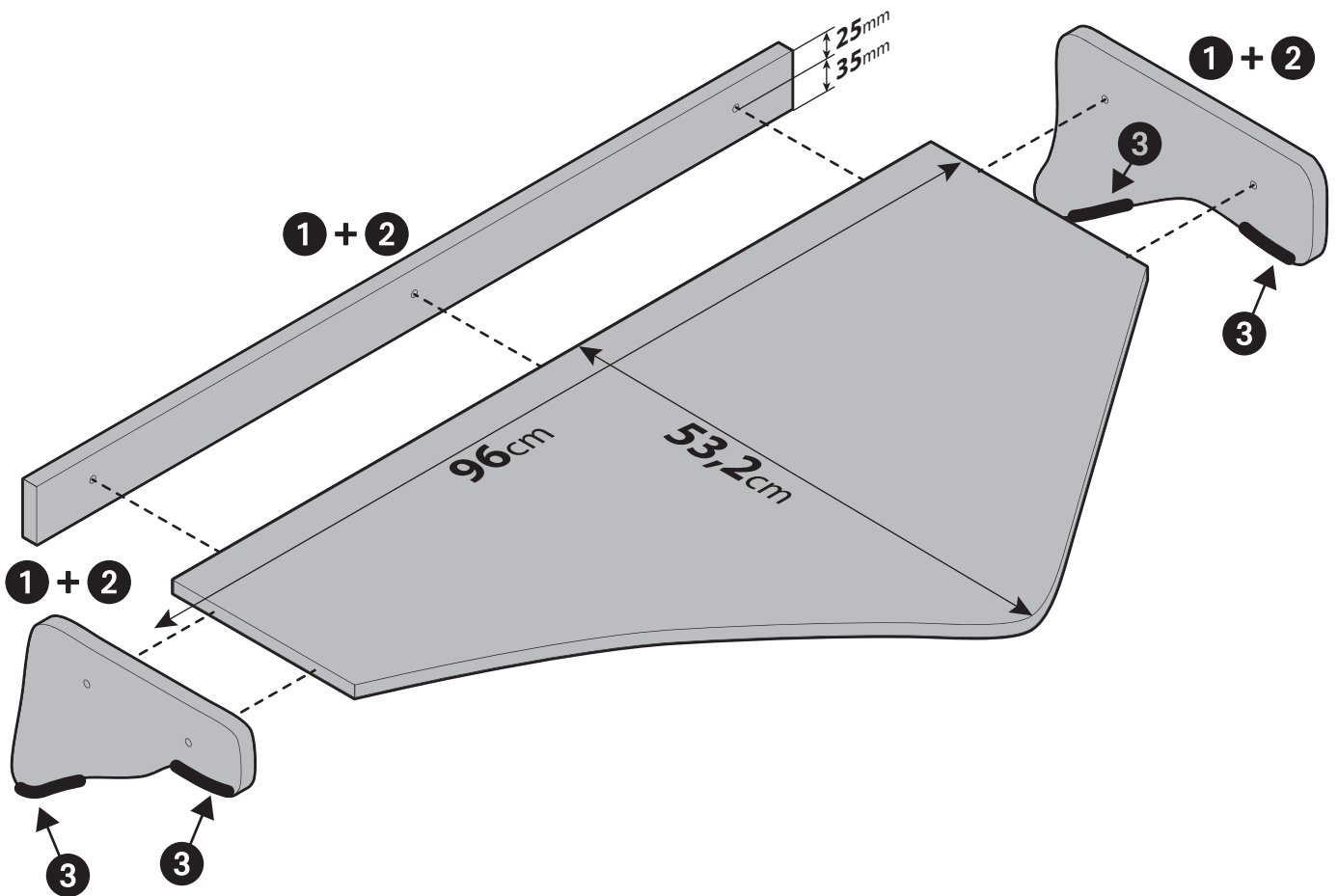
LAMPA S.p.A.

Via G. Rossa 53/55, 46019 Viadana (MN) ITALY

Tel. +39 0375 820700

UNI EN ISO 9001:2015 Certified Company

www.lampa.it



Contenuto / Mounting kit contains:

1		x7	∅ 8mm - Viti / Screws
2		x7	Coperchi per viti / Screw covers
3		x4	Velcro / Velcro strips
		x1	Brugola / Allen key

