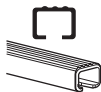
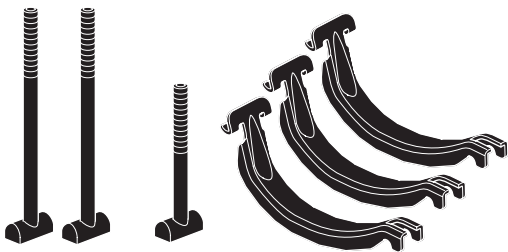
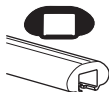


# > Instructions

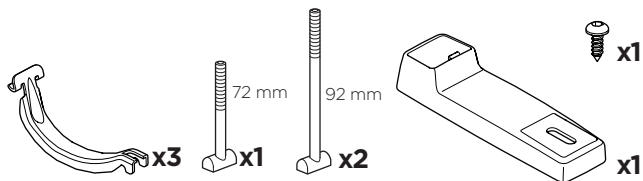
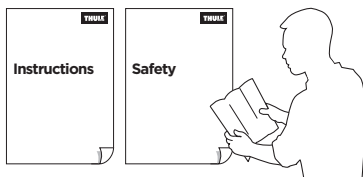
## Thule Bike Rack Around-the-bar Adapter 8898



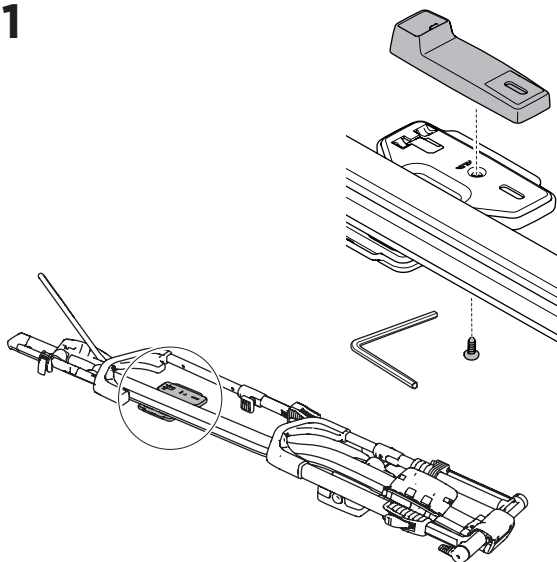
Square bars



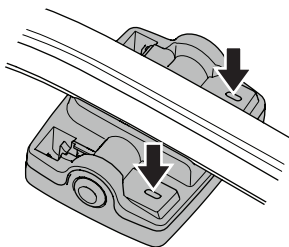
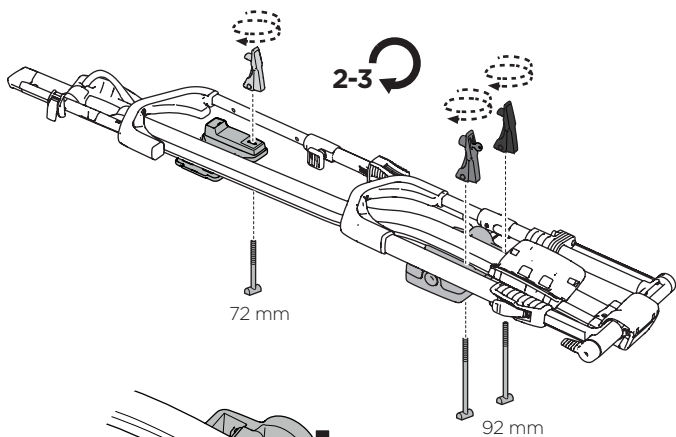
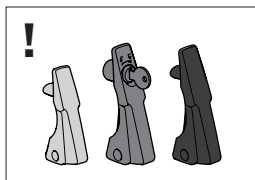
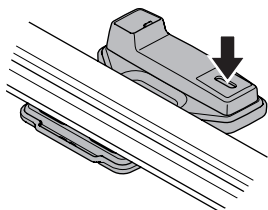
Aluminum bars



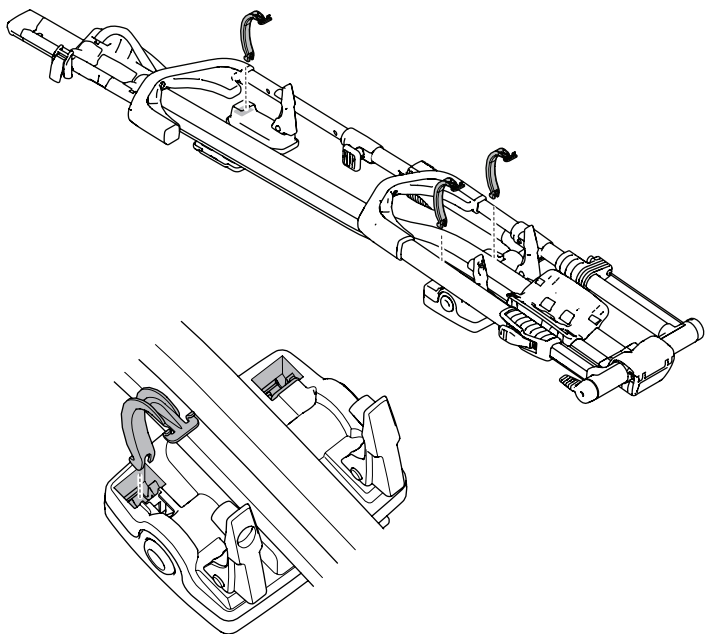
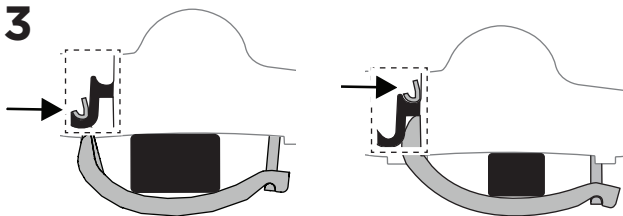
1



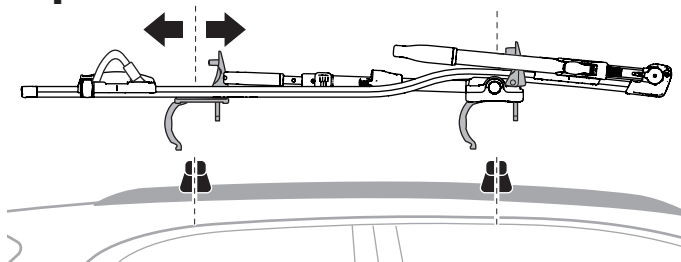
2



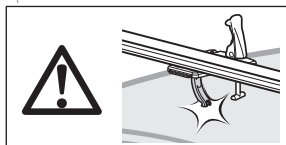
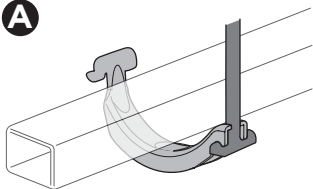
**3**



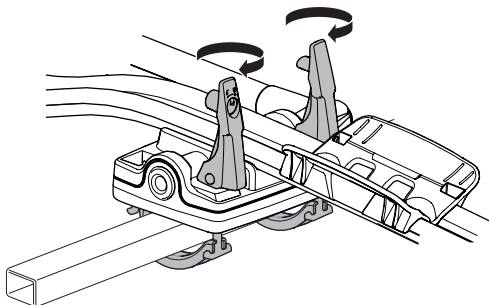
4



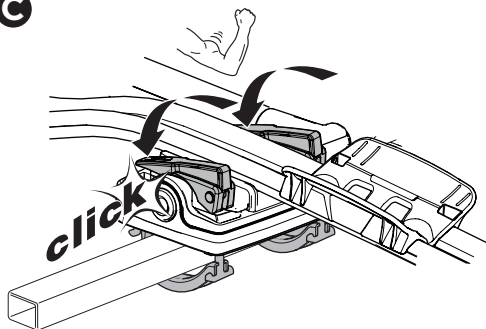
A



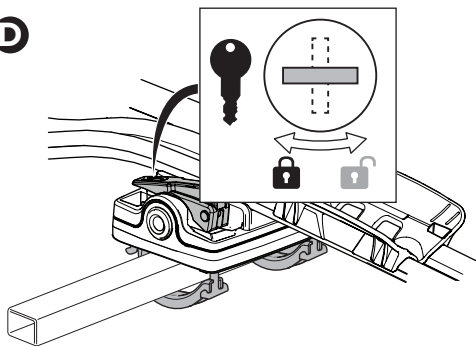
B

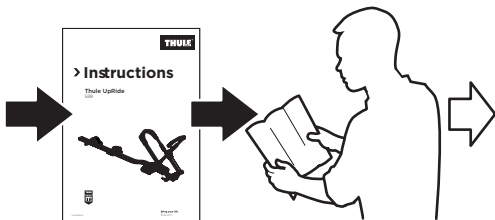


**C**



**D**







[www.thule.com](http://www.thule.com)



[info@thule.com](mailto:info@thule.com)



Thule Sweden AB, Borggatan 5  
335 73 Hillerstorp, SWEDEN

501-8315-01

» PART OF THULE GROUP

© Thule Group 2017. All rights reserved.