

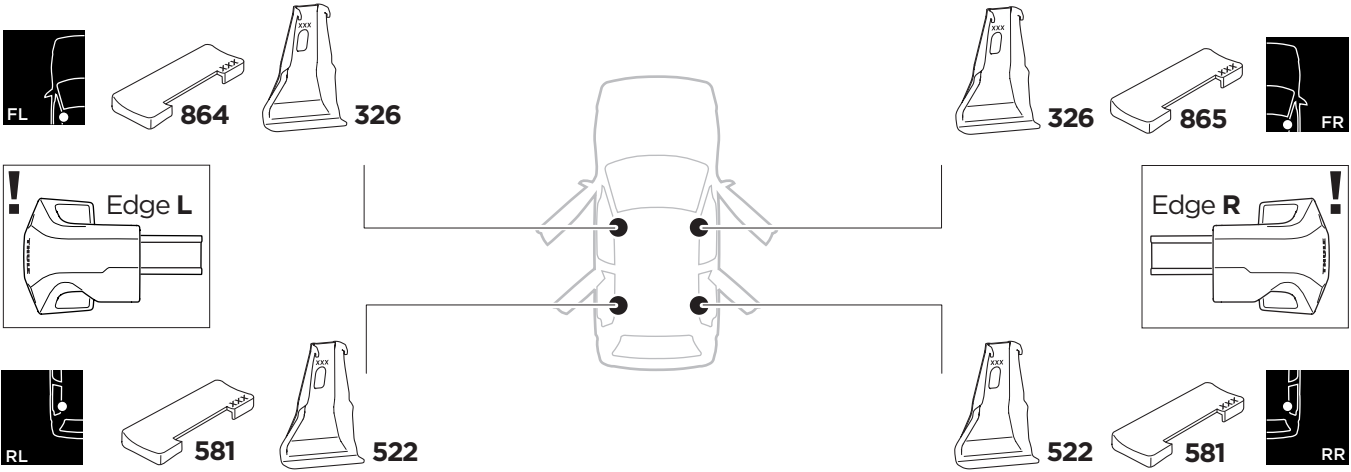
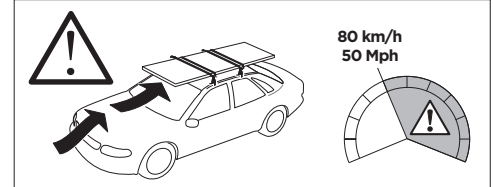
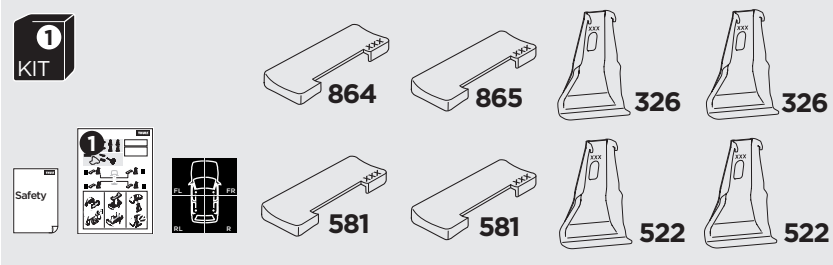
# 1

## Kit 145307

AUDI e-tron, 5-dr SUV, 19-23  
 AUDI Q8 e-tron, 5-dr SUV, 23-

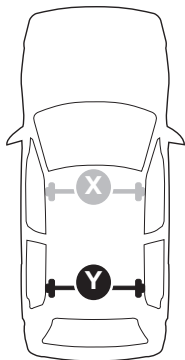


ISO 11154-E





THULE WingBar Evo	THULE WingBar Edge	THULE WingBar	THULE SquareBar Evo	<b>Evo X (scale)</b>	<b>Edge X (scale)</b>
<b>AUDI e-tron, 5-dr SUV, 19-23</b>				<b>45</b>	<b>G</b>
<b>AUDI Q8 e-tron, 5-dr SUV, 23-</b>				<b>45</b>	<b>G</b>
THULE ProBar Evo	THULE SlideBar Evo			<b>X (mm/inch)</b>	
<b>AUDI e-tron, 5-dr SUV, 19-23</b>				<b>1101 mm / 43 3/8"</b>	
<b>AUDI Q8 e-tron, 5-dr SUV, 23-</b>				<b>1101 mm / 43 3/8"</b>	



THULE WingBar Evo	THULE WingBar Edge	THULE WingBar	THULE SquareBar Evo	<b>Evo Y (scale)</b>	<b>Edge Y (scale)</b>
<b>AUDI e-tron, 5-dr SUV, 19-23</b>				<b>41</b>	<b>O</b>
<b>AUDI Q8 e-tron, 5-dr SUV, 23-</b>				<b>41</b>	<b>O</b>
THULE ProBar Evo	THULE SlideBar Evo			<b>Y (mm/inch)</b>	
<b>AUDI e-tron, 5-dr SUV, 19-23</b>				<b>1061 mm / 41 3/4"</b>	
<b>AUDI Q8 e-tron, 5-dr SUV, 23-</b>				<b>1061 mm / 41 3/4"</b>	

	<b>W (mm/inch)</b>	<b>Z (mm/inch)</b>
<b>AUDI e-tron, 5-dr SUV, 19-23</b>	<b>800 mm / 31 1/2"</b>	<b>270 mm / 10 5/8"</b>
<b>AUDI Q8 e-tron, 5-dr SUV, 23-</b>	<b>800 mm / 31 1/2"</b>	<b>270 mm / 10 5/8"</b>

