

1

Kit 5087

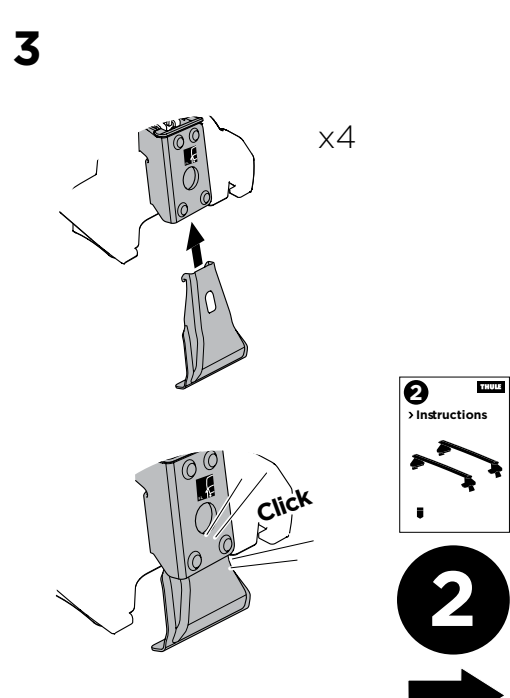
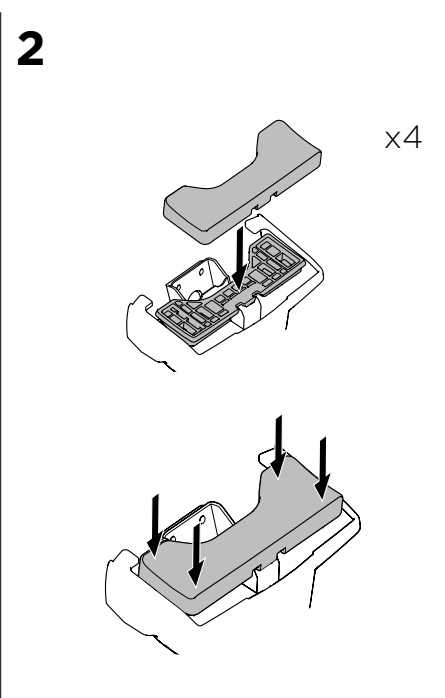
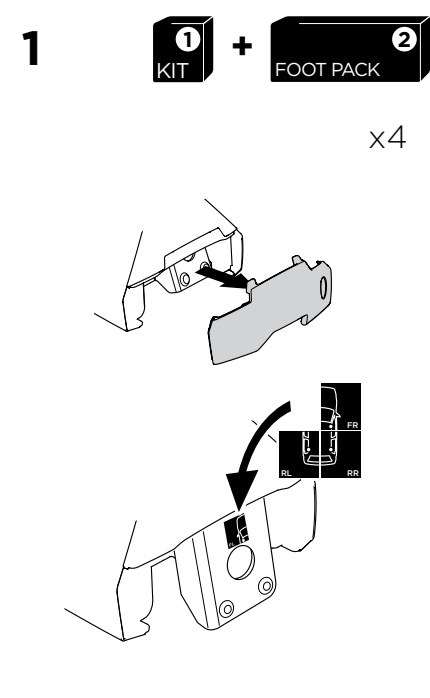
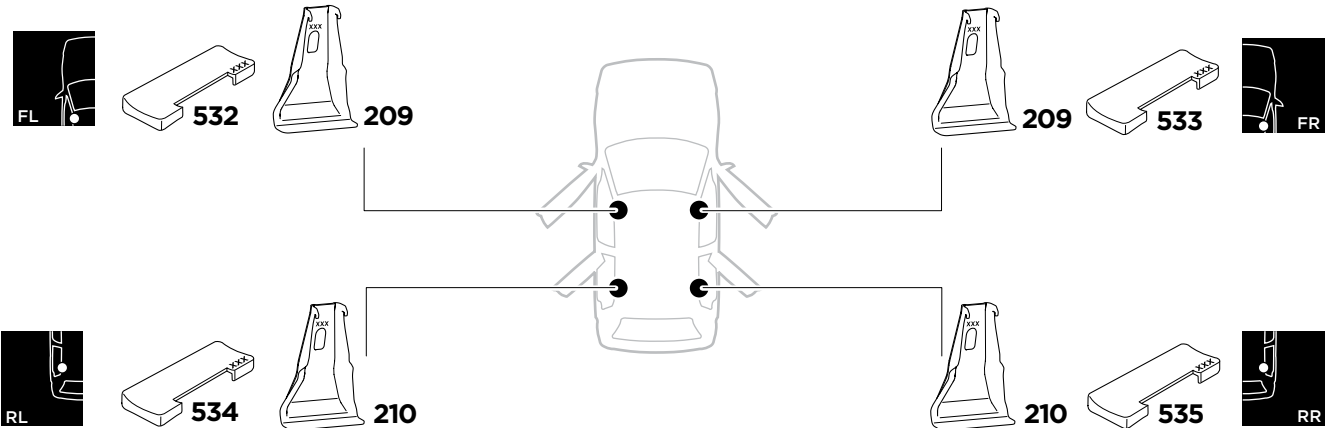
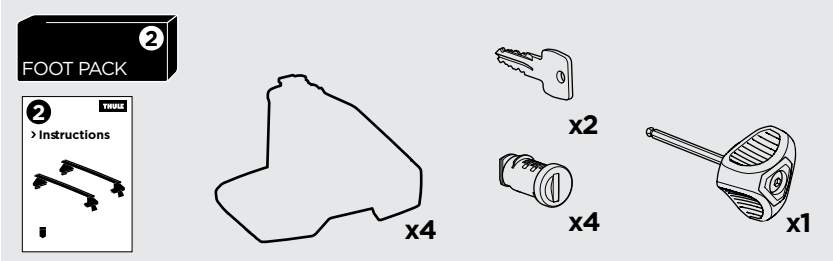
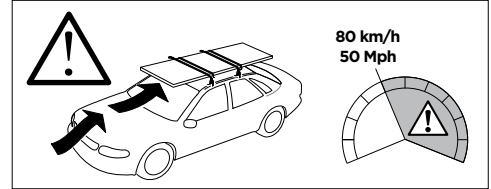
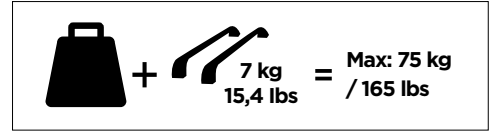
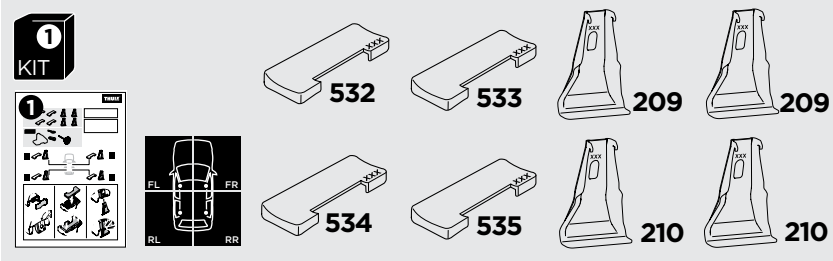
FORD Fiesta, 5-dr Hatchback, 08-17

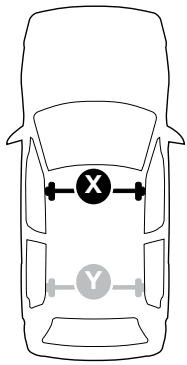
FORD Fiesta, 5-dr Hatchback, *11-

*North America



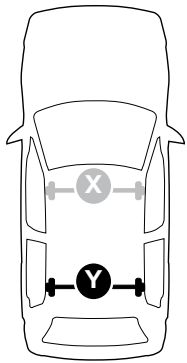
ISO 11154-E





THULE WingBar Evo THULE WingBar Edge THULE WingBar THULE SquareBar	Evo X (scale)	Edge X (scale)
FORD Fiesta, 5-dr Hatchback, 08-17	36	G
FORD Fiesta, 5-dr Hatchback, *11-	36	G

THULE ProBar THULE SlideBar	X (mm/inch)
FORD Fiesta, 5-dr Hatchback, 08-17	1011 mm / 39 3/4"
FORD Fiesta, 5-dr Hatchback, *11-	1011 mm / 39 3/4"



THULE WingBar Evo THULE WingBar Edge THULE WingBar THULE SquareBar	Evo Y (scale)	Edge Y (scale)
FORD Fiesta, 5-dr Hatchback, 08-17	30,5	R
FORD Fiesta, 5-dr Hatchback, *11-	30,5	R

THULE ProBar THULE SlideBar	Y (mm/inch)
FORD Fiesta, 5-dr Hatchback, 08-17	956 mm / 37 5/8"
FORD Fiesta, 5-dr Hatchback, *11-	956 mm / 37 5/8"

	W (mm/inch)	Z (mm/inch)
FORD Fiesta, 5-dr Hatchback, 08-17	700 mm / 27 1/2"	200 mm / 7 7/8"
FORD Fiesta, 5-dr Hatchback, *11-	700 mm / 27 1/2"	200 mm / 7 7/8"

