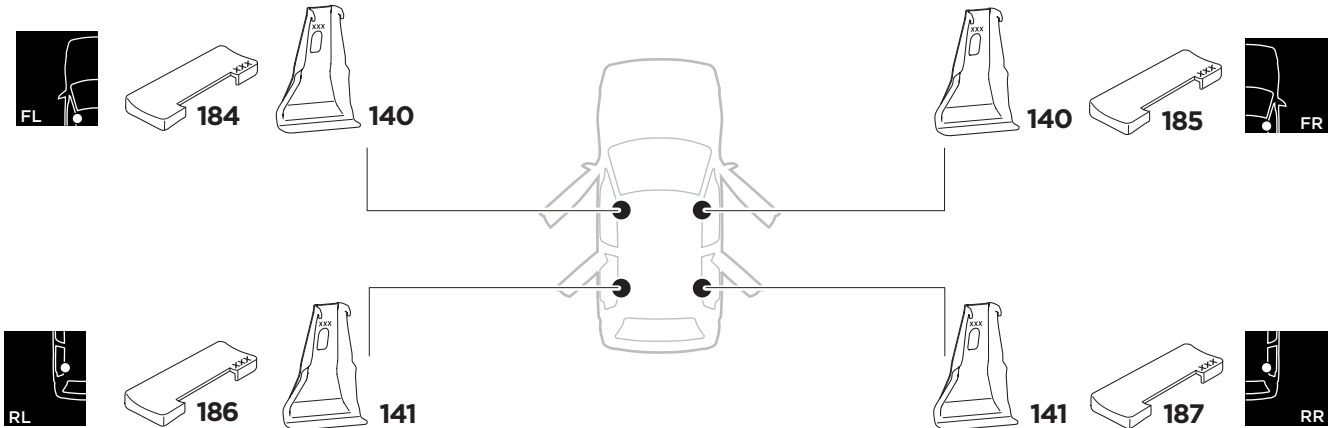
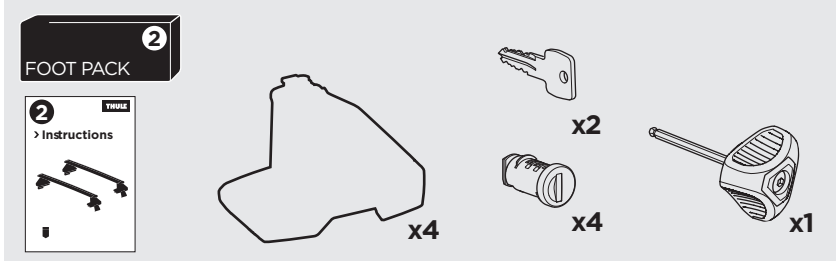
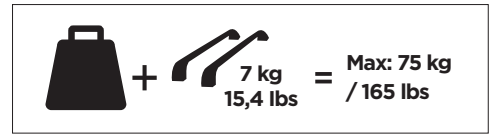
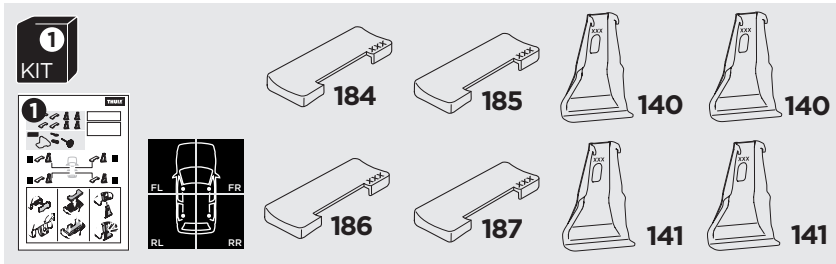


# 1

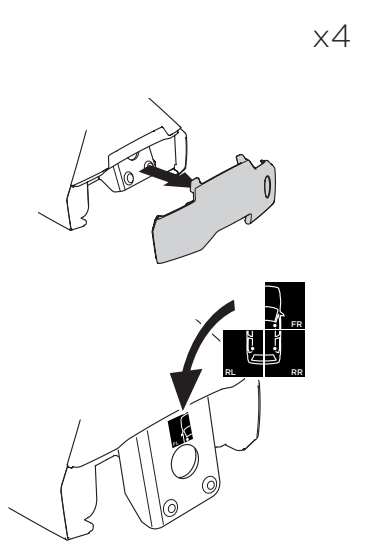
## Kit 5074

FORD Edge, 5-dr SUV, 15-

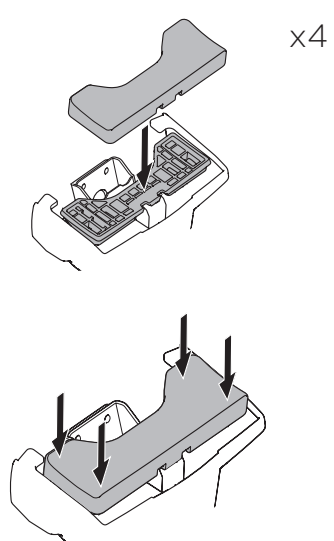
ISO 11154-E



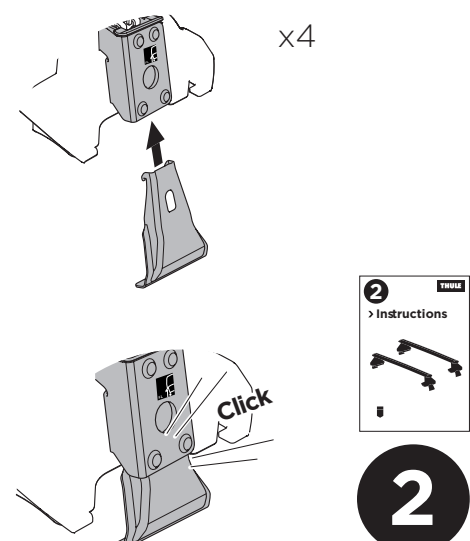
**1** **1 KIT** + **2 FOOT PACK**



**2**

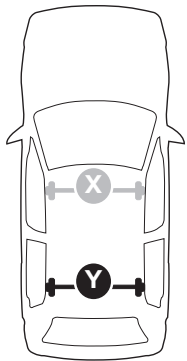


**3**





THULE WingBar Evo	THULE WingBar Edge	THULE WingBar	THULE SquareBar	<b>Evo X (scale)</b>	<b>Edge X (scale)</b>
<b>FORD Edge, 5-dr SUV, 15-</b>				<b>50,5</b>	<b>N</b>
THULE ProBar	THULE SlideBar				<b>X (mm/inch)</b>
<b>FORD Edge, 5-dr SUV, 15-</b>				<b>1156 mm / 45 1/2"</b>	



THULE WingBar Evo	THULE WingBar Edge	THULE WingBar	THULE SquareBar	<b>Evo Y (scale)</b>	<b>Edge Y (scale)</b>
<b>FORD Edge, 5-dr SUV, 15-</b>				<b>46,5</b>	<b>D</b>
THULE ProBar	THULE SlideBar				<b>Y (mm/inch)</b>
<b>FORD Edge, 5-dr SUV, 15-</b>				<b>1116 mm / 43 7/8"</b>	

	<b>W (mm/inch)</b>	<b>Z (mm/inch)</b>
<b>FORD Edge, 5-dr SUV, 15-</b>	<b>750 mm / 29 1/2"</b>	<b>235 mm / 9 1/4"</b>

