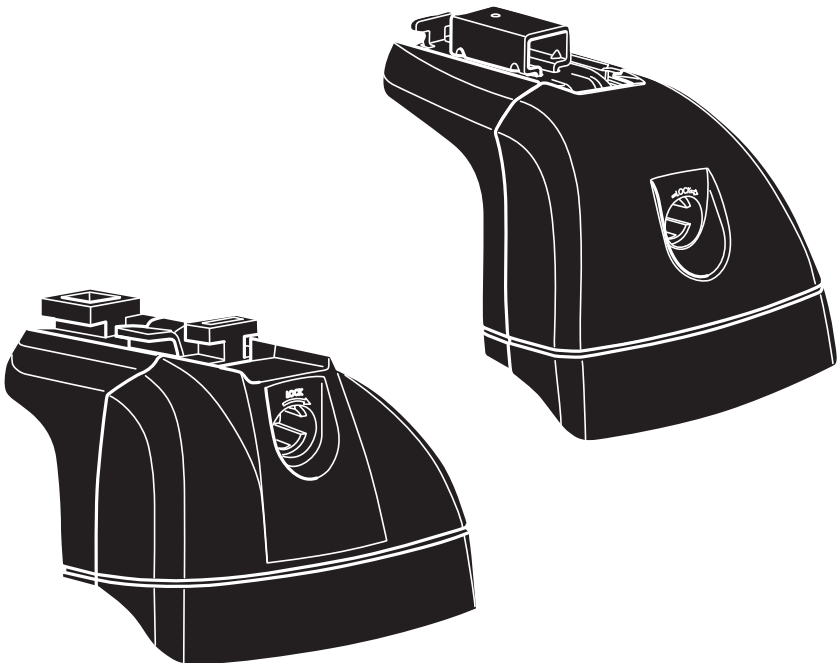


Artificial Fixpoints 543

➤ Instructions



6 kg / 13 lbs + xx kg / xx lbs =

Max. 75 kg
Max. 165 lbs

9 kg / 20 lbs + xx kg / xx lbs =

Max. 112 kg
Max. 246 lbs

12 kg / 26 lbs + xx kg / xx lbs =

Max. 150 kg
Max. 331 lbs

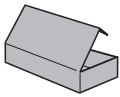
! + Instructions + Security + [Person reading manual]

! + Car with roof rack + Speedometer (80 km/h, 50 Mph, 130 km/h, 80 Mph, 40 km/h, 25 Mph)

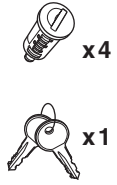
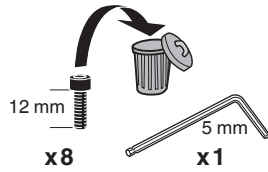
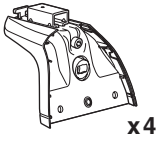
! ↓ ↓ ↓ + [Roof rack bars]

A B C

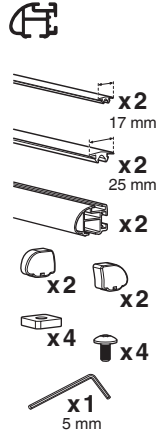
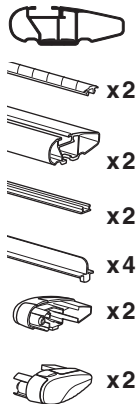
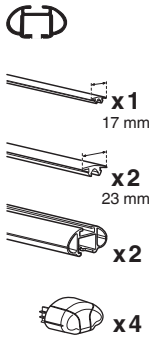
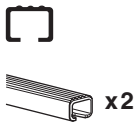
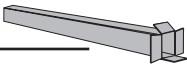
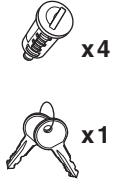
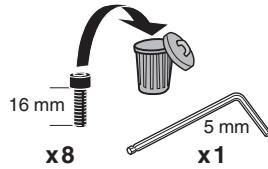
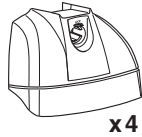
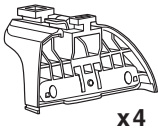
[Bracket] x 4
 [Bracket] x 4
 12mm [Bolt] x 8
 16mm [Bolt] x 8
 51325 [Washer] x 4
 30120 [Bolt] x 4
 30146 [Nut] x 4
 50627 [Nut] x 4
 51293 [Bracket] x 1



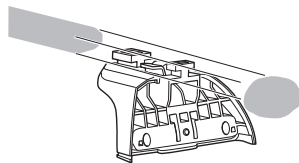
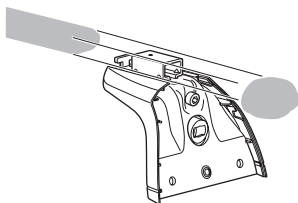
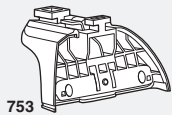
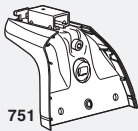
751



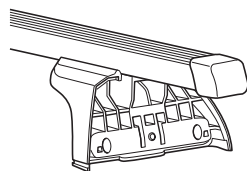
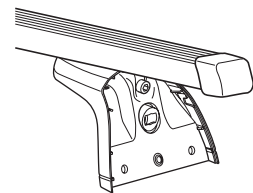
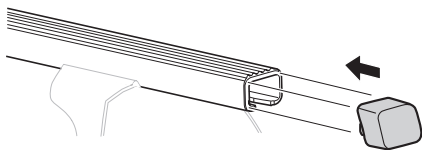
753



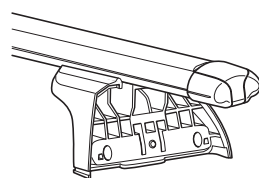
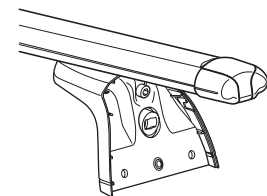
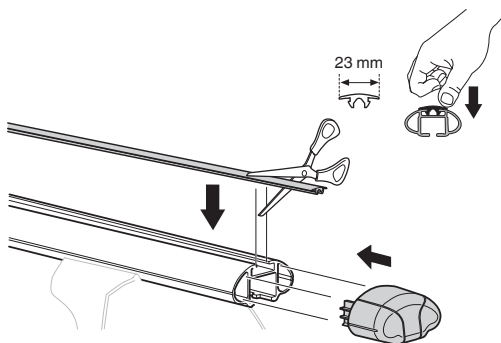
1

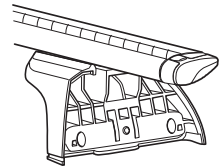
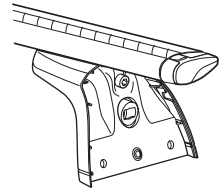
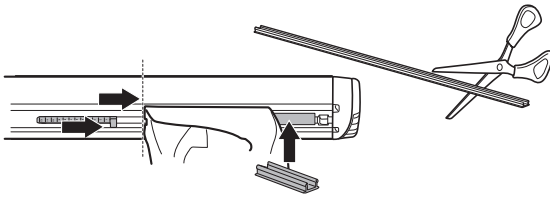
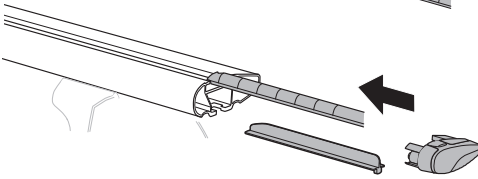
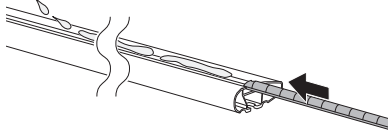
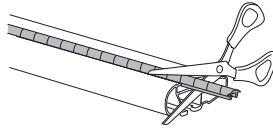
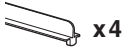


x4

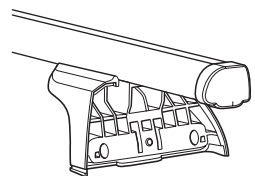
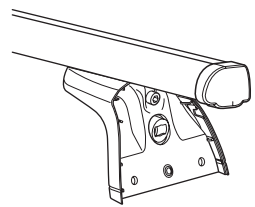
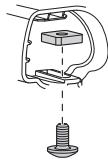
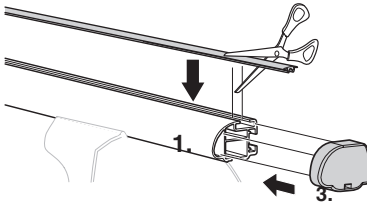
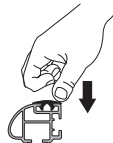


x4



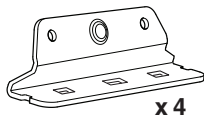


25 mm

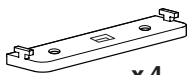


2

751



x 4



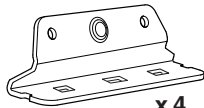
x 4



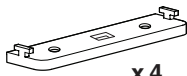
12mm

x 8

753



x 4

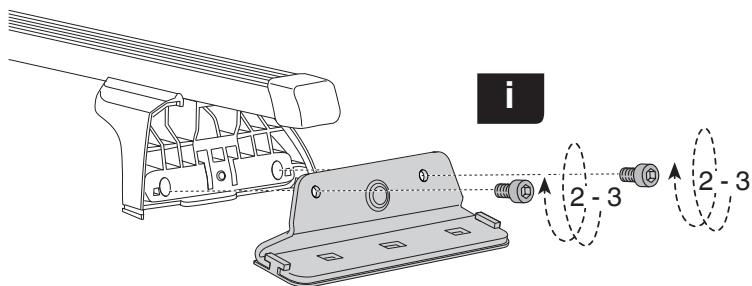
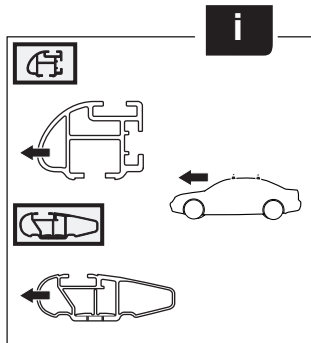
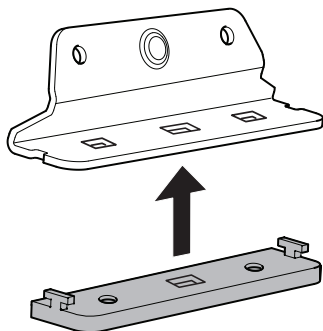
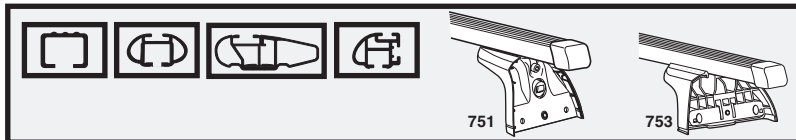


x 4

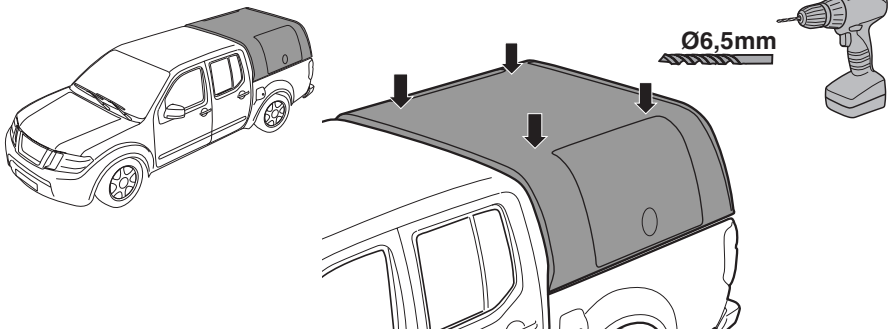
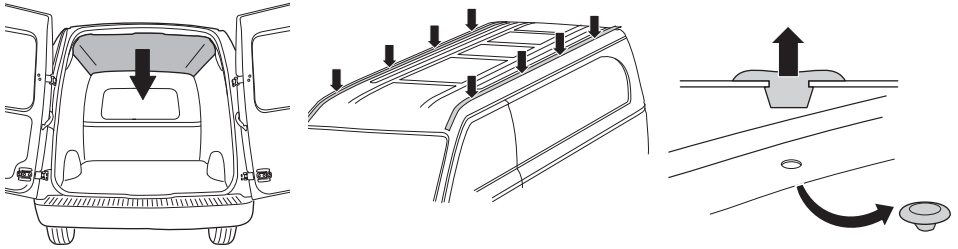
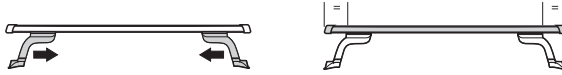


16mm

x 8

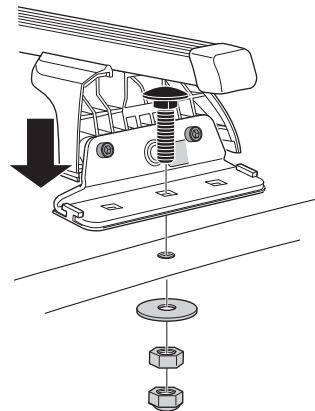
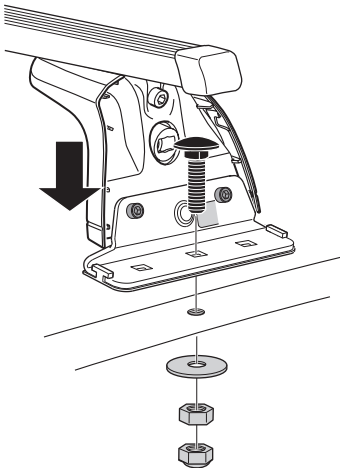
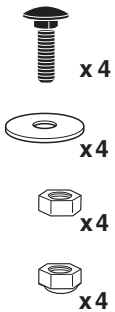


3

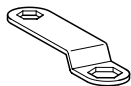


751

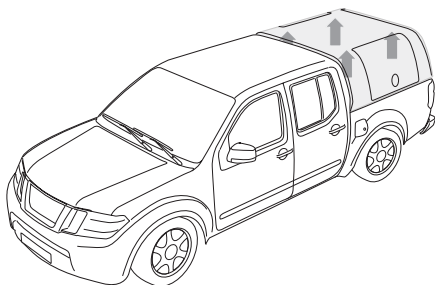
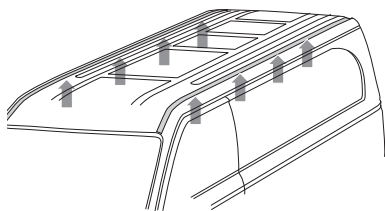
753



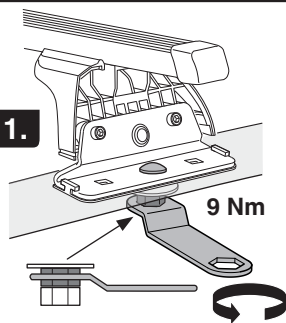
4



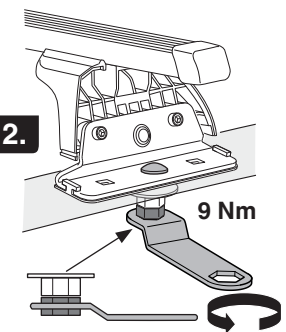
x1



1.

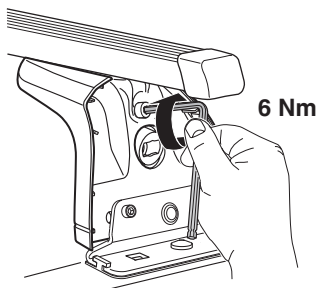
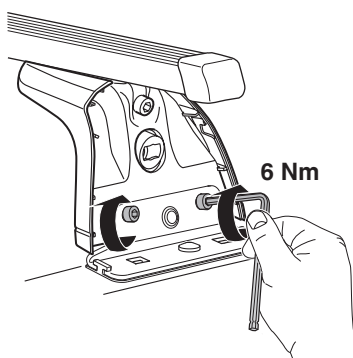
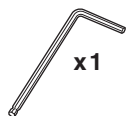


2.

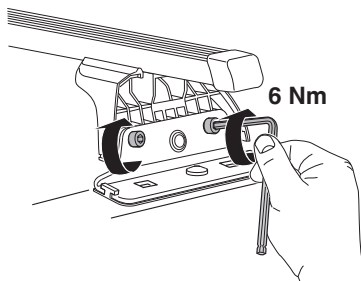


x1

751



753



5



x4



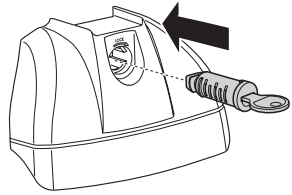
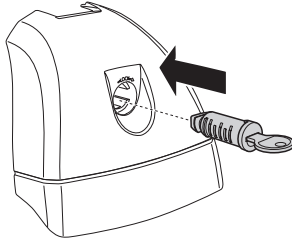
x4



x4



x2



6

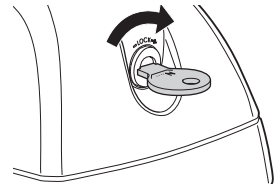
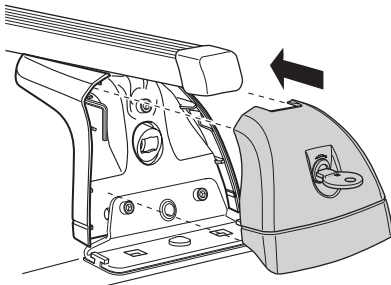
751



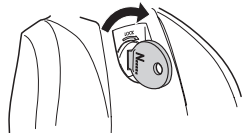
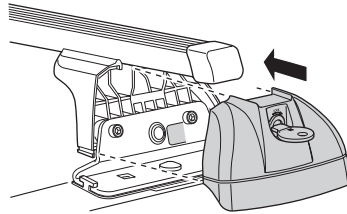
x4



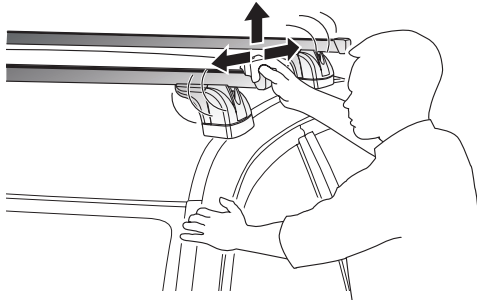
x4

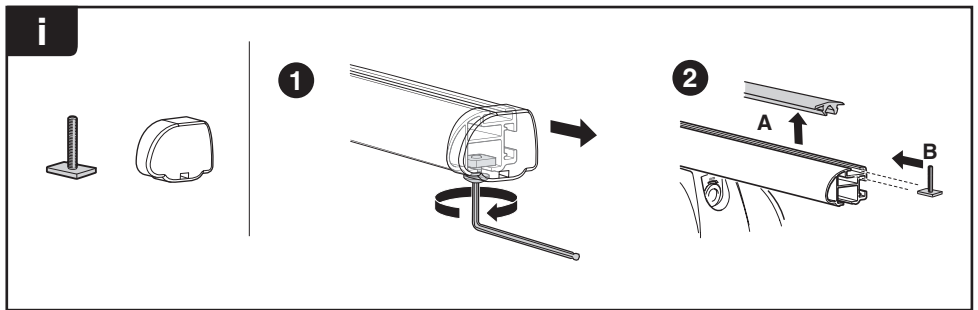
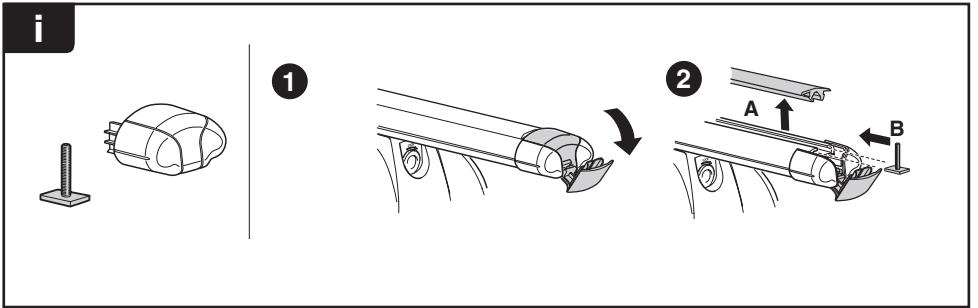
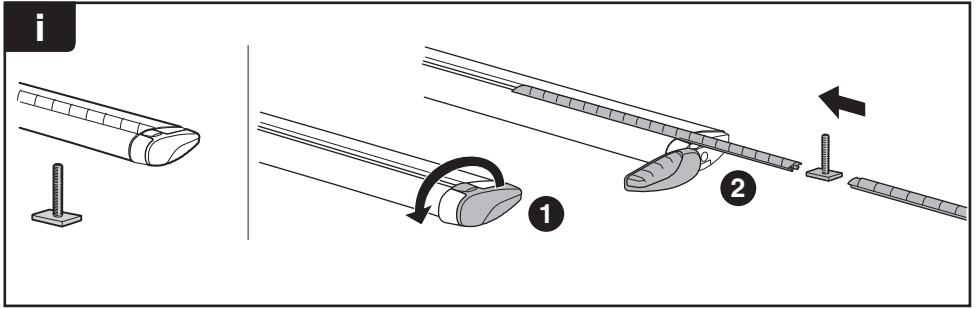


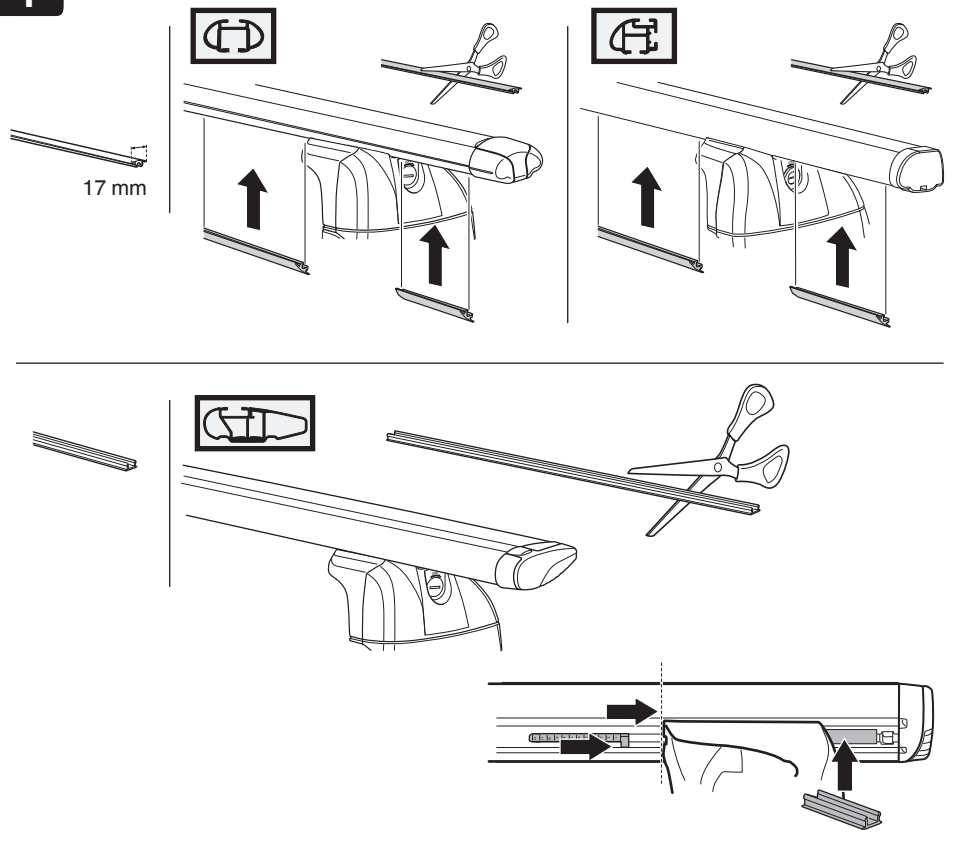
753



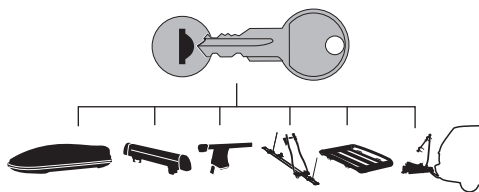
7







**One Key
System
544, 596
588, 452**



544  (x4)

596  (x6)

588  (x8)

EUR **452**  (x12)
ASIA