

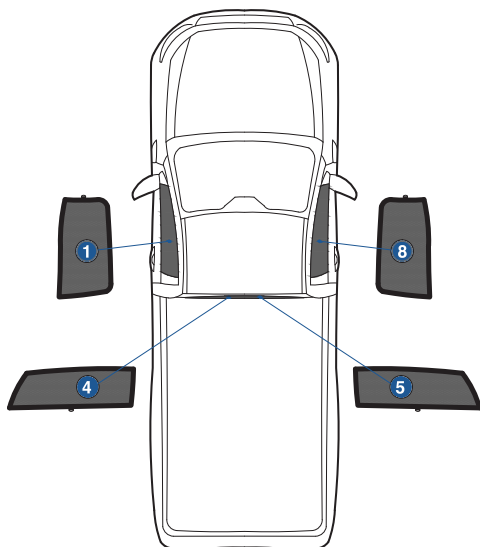
Installation Manual

FORD RANGER 4 4DR
FOR-RANG-4-D



COMPONENTS INCLUDED

SHADES



FIXING CLIPS



CL-M05 x 4



CL-M14 x 1



CL-M02 x 4



CL-T01 x 1

Side Shade Installation

FORD RANGER 4 4DR
FOR-RANG-4-D

COMPONENTS NEEDED:



STEP #1

INSERT CLIPS INSIDE WEATHERSTRIP



STEP #2

POSITION THE SIDE SHADE



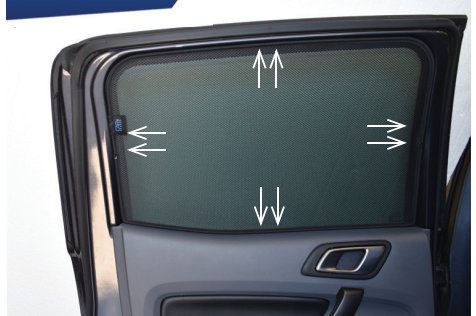
STEP #3

ATTACH SIDE SHADE BEHIND CLIPS



STEP #4

ENSURE SECURELY FITTED IN PLACE

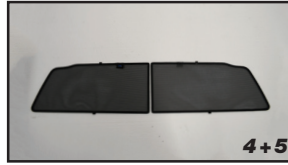


CAR[®]
S H A D E S

Rear Shade Installation

FORD RANGER 4 4DR
FOR-RANG-4-D

COMPONENTS NEEDED:



CL-M02 x 4



CL-M14 x 1

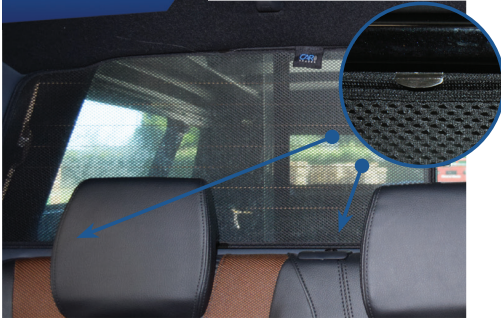
STEP #1

ATTACH CLIPS ON SHADE EDGES



STEP #3

INSERT CLIPS BEHIND INTERIOR TRIM



STEP #2

POSITION THE REAR SHADE



STEP #4

REPEAT THE PROCESS ON OTHER SHADE



STEP #5

ENSURE SECURELY FITTED IN PLACE



CAR
SHADES