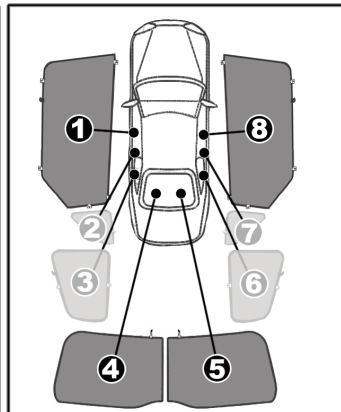


# INSTALLATION INSTRUCTIONS

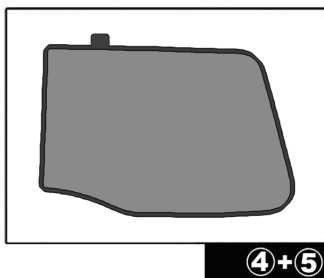
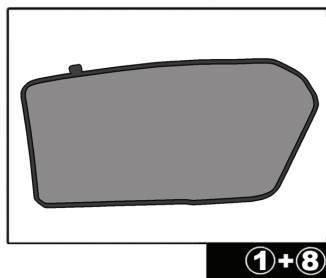
*DACIA SANDERO 5DR*

*DAC-SAND-5-A*



## COMPONENTS INCLUDED

### SHADES



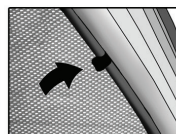
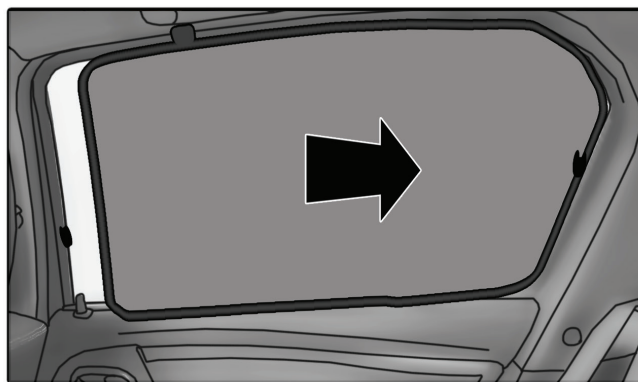
### FIXING CLIPS



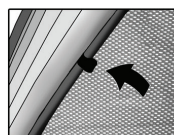
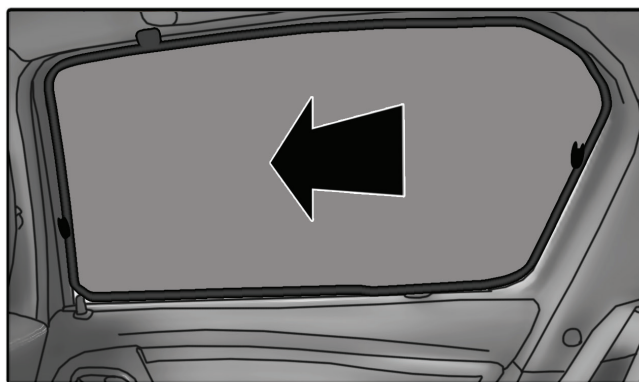
SIDE SHADE INSTALLATION



1+8

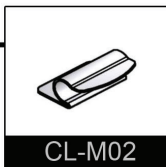
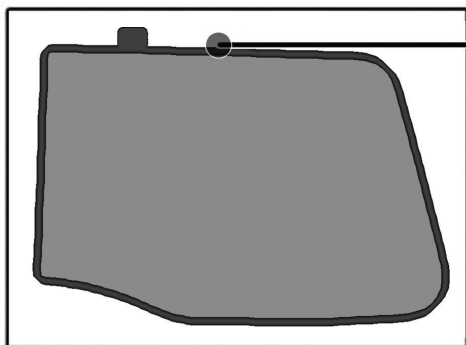


1+8

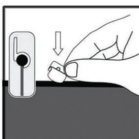


1+8

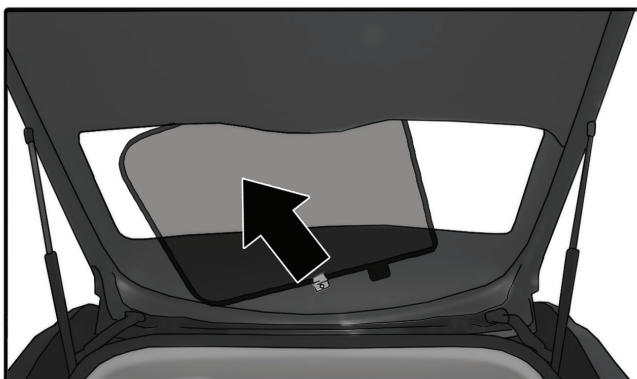
REAR SHADE INSTALLATION



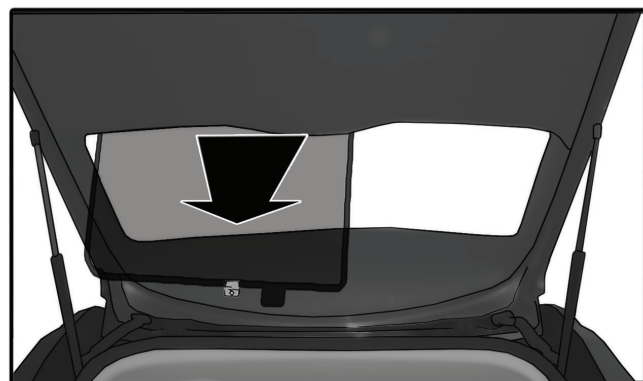
CL-M02



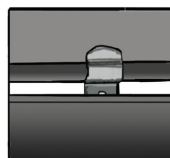
④+⑤



④+⑤



④+⑤



REAR SHADE INSTALLATION

